

Limited Warranty

J & J Global, LLC (Seller) warrants to the original Buyer only, that each product will be free from defects in material and workmanship for a period of one (1) year from date of purchase. SELLER'S SOLE OBLIGATION AND BUYER'S EXCLUSIVE REMEDY UNDER THIS LIMITED WARRANTY SHALL BE THE REPAIR OR REPLACEMENT OF PARTS, WITHOUT CHARGE, WHICH ARE DEFECTIVE IN MATERIAL OR WORKMANSHIP. ANY PARTS AS DETERMINED BY THE SELLER WHICH HAVE BEEN MISUSED; ABUSED OR DAMAGED EITHER DIRECTLY OR INDIRECTLY FROM REPAIRS OR ALTERATIONS ATTEMPTED BY UNAUTHORIZED PERSON; IMPROPER MAINTENANCE, NEGLIGENCE OR ACCIDENT ARE NOT COVERED BY THIS LIMITED WARRANTY. This warranty does not apply to damage, heat-induced coloration changes, scratching or alteration due to normal use or weathering. To make a claim under this Limited Warranty, email contact@ezreplacement.com or visit www.ezreplacement.com for warranty questions and claims.

Additional Limitations

THIS LIMITED WARRANTY DOES NOT APPLY TO ACCESSORY OR CONSUMABLE ITEMS RELATED TO THIS PRODUCT. ALL IMPLIED WARRANTIES SHALL BE LIMITED IN DURATION TO ONE (1) YEAR FROM DATE OF PURCHASE. IN NO EVENT SHALL SELLER BE LIABLE FOR ANY INCIDENTAL OR CONSEQUENTIAL DAMAGES, INCLUDING BUT NOT LIMITED TO LIABILITY FOR LOSS OF PROFITS, ARISING FROM THE SALE OR USE OF THIS PRODUCT.

If any provision of this Limited Warranty is for any reason held to be invalid or unenforceable, such provision shall not affect any other provision herein, this Limited Warranty shall be construed as if such invalid and/or unenforceable provision had never been contained herein.

This warranty gives you special legal rights, and you may also have other rights which vary from state to state.

This warranty contains the entire agreement between Seller and Buyer and supercedes any and all prior agreements, arrangements, or understandings between the parties relating to product warranty.

Due to ongoing product development the actual product or products may vary from the illustrations or photos shown within this manual.

For Manuals, Replacement Parts or Customer Service visit:
www.ezreplacement.com

This product is intended for residential, non-commercial use.

⚠ WARNING

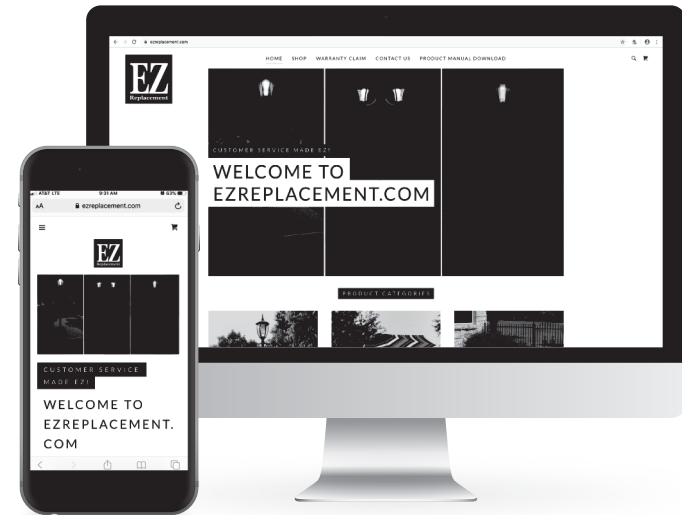
This product can expose you to lead, a chemical known to the state of California to cause cancer, birth defects and/or other reproductive harm. For more information go to www.p65warnings.ca.gov/product

MADE IN CHINA
©2021 J & J Global, LLC
Distributed By:
J & J Global, LLC
Dallas, TX 75234

EZ
Replacement

www.EZreplacement.com

Customer Service Made EZ!



- User Friendly Interface
- Download Product Manuals
- Email your questions or concerns
- File Warranty Claim
- Follow-up within 24 Hrs
- Parts Ship within 48 Hrs.



Parts distribution made from our Carrollton, TX warehouse facility

ATTENTION!

Please do not return this product to the retailer.
If you are missing or have damaged parts please email
contact@ezreplacement.com Or Call 877-477-2264



Adjustable Height Carbon Fiber Standing Patio Heater W/ Remote

Sku: 101013



Read the instructions and precautions before use of this product

Please keep this instruction manual for future reference

For warranty information, please refer to the back page of this instruction manual.

Warning Instructions

Warranty by EzReplacemnet.com does not cover the defects arising out of the improper use the appliance. The warranty does not cover the situations below:

1. The damages and defects arising out of improper use.
2. The damages and defects having occurred during the transportation after the delivery of the product to the customer by the company.
3. The damages and defects arising out of low or excessive voltage, ungrounded plug usage, faulty electricity systems, operating the appliance in different voltage values other than specified in the instructions.
4. The damages and defects arising out of fire and lightening.
5. The damages and defects arising out of repairs and maintenance by persons other than Authorized Services.
6. The defects arising out of the breach of the instructions in the manual.
7. The damages and defects arising out of the transportation of the product instead of repair.

Attention! Faulty maintenance and cleaning are not covered by the warranty.

1. The dust and polluters in the environment.
2. Damage in the reflector or filament due to faulty cleaning.
3. Faulty installation or dismantlement.
4. Operating with damaged filament, frame or power cord.

Above mentioned defects and services are not covered by the warranty.

Should this product be proven defective in workmanship or material, the consumer's sole remedies shall be such repair or replacement as provided by the terms of this warranty. Under no circumstances shall we be liable for any loss or damage, direct, consequential, or incidental, arising out of the use of or inability to use this product.

This warranty will be voided if the certificate of warranty lacks the stamp and signature of the supplier as well as the date of purchase.

This warranty will become void if the serial number (if applicable), model number identification, or brand have been wholly or partially removed or erased.

Specifications

| | |
|-------------------|--------------------|
| Voltage Rating | 120V ~ (60 Hz) |
| Power Consumption | 1500W |
| Unit Size | 700 x 700 x 1800mm |

Important Instructions

1.Safety warnings

READ ALL INSTRUCTIONS BEFORE ATTEMPTING TO OPERATE THIS UNIT. KEEP THE ASSEMBLY INSTRUCTIONS FOR FUTURE REFERENCE. KEEP THE ORIGINAL PACKAGING FOR USE WHEN STORING THE HEATER DURING EXTENDED PERIODS OF NON-USE.

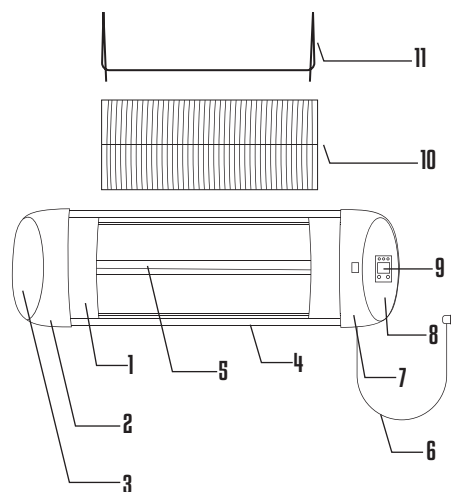
- Do not leave this unit unattended when in use.
- This heater will get hot when in use. Do not touch hot surfaces.
- Caution: Some parts of this product can become very hot and cause burns. Particular attention has to be given when children and vulnerable people are present.
- Do not move the unit when in use. Wait until the heater is completely cool before moving and check that it has been unplugged from the power supply.
- Position the unit at least 1m away from highly combustible materials such as furniture, trees, leaves, dry grass and bushes.
- The heater must be a minimum of 1.8m (6 feet) away from the ground and a minimum of 0.7m (2.5 feet) away from the ceiling of a building or overhanging items.
- The heater must not face with the heating element pointing upwards towards a ceiling. The heater element must be facing the area it is to heat.
- Warning: In order to avoid overheating do not cover the heater. It is not for drying clothes.
- Keep children and pets at a safe distance from the unit.
- This appliance can be used by children aged from 8 years and above and persons with reduced physical, sensory or mental capabilities or lack of experience and knowledge if they have been given supervision or instruction concerning use of the appliance in a safe way and understand the hazards involved.
- Children shall not play with the appliance. Cleaning and user maintenance shall not be made by children without supervision.
- Do not operate the heater if any signs of damage or malfunction manifest themselves.
- Do not attempt to repair or adjust any electrical or mechanical functions on this unit. The unit does not contain any user serviceable parts. Only a qualified electrician should perform servicing or repairs. Attempting to repair the unit yourself will void your warranty.
- If the power cable is damaged, it must be replaced by the manufacturer, its service agent or similarly qualified persons in order to avoid a hazard.
- Do not handle the element with bare hands. If it is inadvertently touched, remove finger marks with a soft cloth and methylated spirits or alcohol, otherwise the marks will burn into the element causing premature heater failure.
- Do not replace or attempt to replace the element in this product.
- This product is suitable for indoor and outdoor use. Do not use this heater in the immediate surroundings of a bath, shower or swimming pool.
- This product must not be left outdoors exposed to the elements for long periods of time.
- Do not touch the plug with wet or damp hands.
- Do not run the power cable under carpeting. Do not cover the power cable with rugs, runner, or similar coverings. Arrange the power cable away from foot traffic and where it will not be tripped over.
- Do not wind the power cable around the unit.
- Do not insert or allow foreign objects to enter any ventilation or opening on the heater, as this may result in electric shock, fire, or damage to the heater.
- To prevent a possible fire, do not block the air vents.
- A heater has hot and arcing or sparking parts inside. Do not use in areas where petrol, paint, explosive and/or flammable liquids are used or stored. Keep unit away from heated surfaces and open flames.
- Where possible, avoid the use of an extension cable as this may overheat and cause a fire. However, if you have to use an extension cable, ensure it is suitable for the purpose, has been tested for outdoor use and preferably has an RCD device fitted or attached.

Important Instructions (Continued)

- Always ensure the heater is plugged into a suitable socket, one that is tested for outdoor use.
- To disconnect heater, turn controls to Off, then remove plug from socket. Do not unplug by pulling on the power cable.
- Always unplug the unit and ensure the unit is completely cold before moving, cleaning or storing.
- This heater is intended for domestic use only and should not be used commercially for contract purposes. Any alternative use, not recommended by the manufacturer, may result in fire, electric shock, or injury to persons.
- The use of attachments on the heater is not recommended.
- Warning: This heater is not equipped with a device to control the room temperature. Do not use this heater in small rooms when occupied by persons not capable of leaving a room on their own, unless constant supervision is provided.
- Always use on a dry, suitably strong, stable, flat and level surface.
- Check exterior walls for communication and electrical cables and pipelines. Should any service lines be present in the immediate vicinity do not install your heater, find an alternative location to install this product.
- Do not position directly above or below an electrical socket.
- Do not remove any of the warning stickers or signs from the product.

Parts List

| | |
|----|------------------------|
| 1 | Front Aluminum Cover |
| 2 | Left Housing |
| 3 | Left Decorative Cover |
| 4 | Back Aluminum Cover |
| 5 | Heating Tube |
| 6 | Power Cord |
| 7 | Right Housing |
| 8 | Right Decorative Cover |
| 9 | LED Display |
| 10 | Protection Grill |
| 11 | Decorative Support |



Cleaning and Maintenance Instructions

Attention! Careful and regular maintenance of infrared Heater is required to attain a long and efficient operation of your appliance.

1. Check the cleanliness of the reflector and IR-filament at least once a month. If necessary, apply cleaning and maintenance instructions.
2. The number of checks may be increased considering the amount of the dust in the environment.
3. Check the deformation of the reflector, wire and frame visually while cleaning the appliance. In case of any deformation, consult a qualified technician.
4. Check the power cable and plug visually while cleaning the appliance. In case of any deformation, consult a qualified technician.
5. It is recommended to change the reflector every 2 years for more efficient operation.

Cleaning

Attention! Regular and careful cleaning helps your heater operate for longer years and more efficiently.

1. Unplug your power cable for your safety before cleaning your appliance.
2. Take out the front grid wire through the inlets on the frame using a slotted screwdriver.
3. Make sure that the power is off for your safety. Power cable plug must be unplugged.
4. The reflector and filament must be cleaned with a soft cloth, a smooth brush or cool or dry air. The cloth may be damp but never too wet and the cleaner should not include any chemical.
5. Refrain from using cleaning material likely to damage the reflector (cleanser etc.).
6. Insert the wire grid using a slotted screwdriver.

Warnings

- 1 Do not place any objects such as furniture, papers, cloths, and curtains at least 0.9m (3 feet) from the front of the heater and away from the sides and rear when the heater is plugged in.
- 2 Do not place the heater near a bed because objects such as pillows or blankets can fall off the bed and be ignited by the heater.
- 3 Always unplug the heater if it is not being used.
- 4 Avoid the use of an extension cord because the extension cord may overheat and cause a risk of fire. However, if you have to use an extension cord, the cord shall be 1.5mm² minimum size .Do not operate within 7.6 m (25 feet) of flammable material.

- Never block the front grill of the heater.
 - The heater is not suitable for hazardous locations.
- Never attempt to service the heater without disconnecting its power source.

2.2 Safety Instructions (C+D+E)

C-The distance from bath tub, washbasin or other sanitary installations

You may operate your heater in the bathroom and outdoors considering the items below:

- The distance of your appliance from bath tub, washbasin or other sanitary installations is to be min 0.6 m (2 feet). The distance of 1 m (3.5 feet) is recommended for more safety.
- The distance of the earthed plug from bath tub, washbasin or other sanitary installations must be min 0.6 m (2 feet).
- 1 m (3.5 feet) distance is recommended for more safety.

5

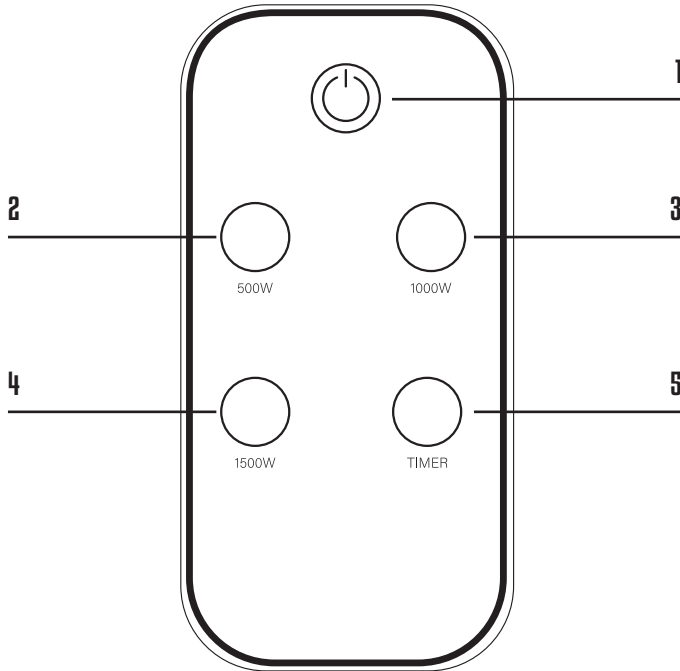
Remote Control Operation

Definitions of the Buttons on the Remote Control

The functions of the heater may be controlled via the buttons on your remote control and LED screen. You may also control some of the functions of your heater through the buttons on the front side of the heater.

Remote Control

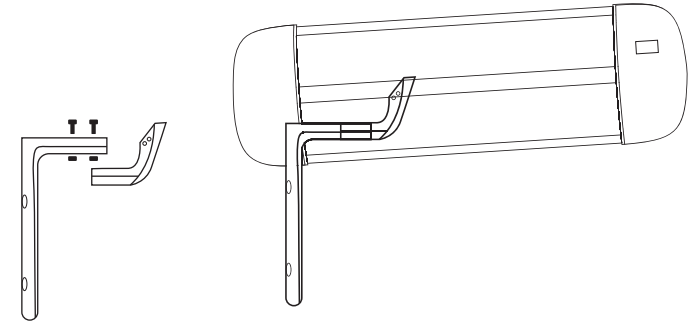
1. On/Off Switches heater on or off.
2. After turning heater on, this turns on low heating.
3. After turning heater on, this turns on medium heating.
4. After turning heater on, this turns on high heating.
5. Turns on timer option, heater turns off after selected time has expired.



1

Attaching Bracket

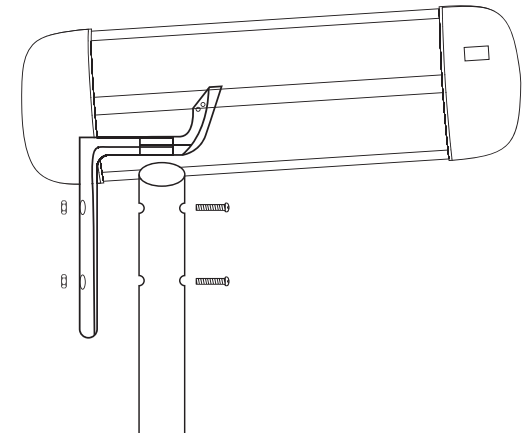
Use two M5*12 screws to install the aluminum bracket to the back side of heater body as below figure shows.



2

Attaching Support Pole

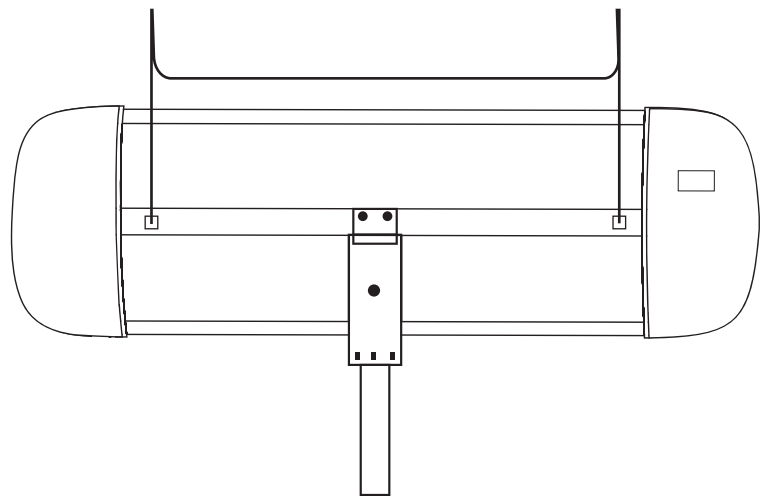
Using M6*44 screws to install the aluminum bracket and heater body to the pole as shown below.



3

Correct Installation Positions

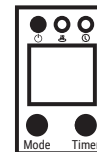
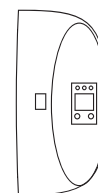
Use two M5*12 screws to install the decorative support to the back side of heater body as shown below.



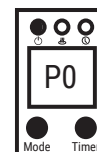
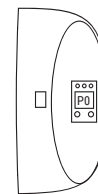
4

Operating Instructions

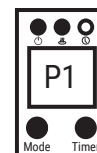
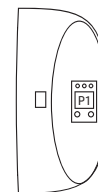
Plug the power cord into the outlet



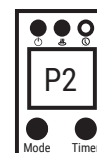
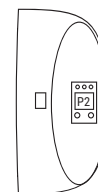
Press the rocker power switch to “-” position, and the switch indicator light will be on, indicating power is on.



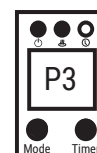
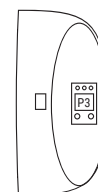
Press MODE once, the digital screen shows “P0” which means appliance is now in stand by mode.



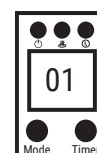
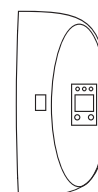
Press MODE once, the digital screen shows “P1” which means first power setting



Press MODE two times, the digital screen shows “P2” which means second power setting



Press MODE three times, the digital screen shows “P3” which means third power setting



After setting power mode, press timer button. The digital screen shows “01” indicates one hour timer, “02” indicates two hours timer etc.