



Crestmont Solar Lamp Post & Planter Instruction Manual

Limited Warranty

J & J Global, LLC (seller) warrants to the original Buyer only, that each product will be free from defects in material and workmanship for a period of one (1) year from date of purchase. SELLERS SOLE OBLIGATION AND BUYERS EXCLUSIVE REMEDY UNDER THIS LIMITED WARRANTY SHALL BE THE REPAIR OR REPLACEMENT OF PARTS, WITHOUT CHANGE, WHICH ARE DEFECTIVE IN MATERIAL OR WORKMANSHIP. ANY PARTS AS DETERMINED BY THE SELLER WHICH HAVE BEEN MISUSED; ABUSED OR DAMAGED EITHER DIRECTLY OR INDIRECTLY FROM REPAIRS OR ALTERATIONS ATTEMPTED BY UNAUTHORIZED PERSON; IMPROPER MAINTENANCE, NEGLIGENCE OR ACCIDENT ARE NOT COVERED BY THIS LIMITED WARRANTY. This warranty does not apply to damage, heat-included coloration changes, scratching or alteration due to normal use or weathering. To make a claim under this Limited Warranty, email contact@ezreplacement.com or visit www.ezreplacement.com for warranty questions and claims.

Additional Limitations

THIS LIMITED WARRANTY DOES NOT APPLY TO ACCESSORY OR CONSUMABLE ITEMS RELATED TO THIS PRODUCT. ALL IMPLIED WARRANTIES SHALL BE LIMITED IN DURATION TO ONE (1) YEAR FROM DATE OF PURCHASE. IN NO EVENT SHALL SELLER BE LIABLE FOR ANY INCIDENTAL OR CONSEQUENTIAL DAMAGES, INCLUDING BUT NOT LIMITED TO LIABILITY FOR LOSS OF PROFITS, ARISING FROM THE SALE OR USE OF THIS PRODUCT.

If any provisions of this Limited Warranty is for any reason held to be invalid or unforeseeable, such provision shall not affect any other provision herein, this Limited Warranty shall be construed as if such invalid and/or unforeseeable provision had never been contained herein.

This warranty gives you special legal rights, and you may also have other rights which vary from state to state. This warranty contains the entire agreement between Seller and Buyer and supersedes any and all prior agreements, arrangement, or understandings between the parties relating to product warranty.

Due to ongoing product development
the actual product or products may vary from
the illustrations or photos shown within this manual.

For Manuals, Replacement Parts or Customer Service visit:
www.ezreplacement.com



NOTE: This product is intended for residential, non-commercial use.



Model No. 299-9870-4

Read the instructions and precautions before use of this product

Please keep this instruction manual for future reference

For warranty information, please refer to the back page of
this instruction manual.

Made in China
©2018 J&J Global, LLC.
Distributed by:
J&J Global, LLC.
Carrollton, TX 75006

PARTS & HARDWARE LIST

Parts #	Discription	QTY
A	Lantern Head	1
B	Metal Hanger	1
C	Upper Post	1
D	Middle Post	1
E	Lower Post	1
F	Planter Base Support Ring	1
G	Lamp Post Base	1
H	Upper Planter	1
I	Bottom Planter Base	1
J	M6 Screw	3
K	Flat Washer	3
L	M10 Hex Nut	6
M	Acorn Nut	3
N	M10 Hex Bolt	3
O	J Bolt	3
P	Mounting Plate	1
Q	Hexagon Spanner	1
R	Small Screw	1

Care Instructions

- Clean any dirt and debris from the solar panels. The panels cannot recharge if light is obstructed. Use a soft cloth to clean the panels. Do not use abrasives or chemicals that might scratch or damage the UV coating.
- In a region where snow and ice are likely) and the light assembly is covered with snow for an extended period of time the batteries will require recharge for at least 8 hours.
- Non-rechargeable batteries are not to be recharged. Batteries are to be inserted with the correct polarity. Exhausted batteries are to be removed from the product.
- Do not mix old batteries with new batteries.
- Do not mix alkaline standard (Carbon-Zinc) or rechargeable (Nickel-Cadmium) batteries.

Recycling

Please dispose of batteries properly.
Consult your local telephone listings for a battery recycling center in your area.



Ambient temperature maximum 40°C (105°F)



Do not dispose of batteries in household waste



Do not throw batteries into water

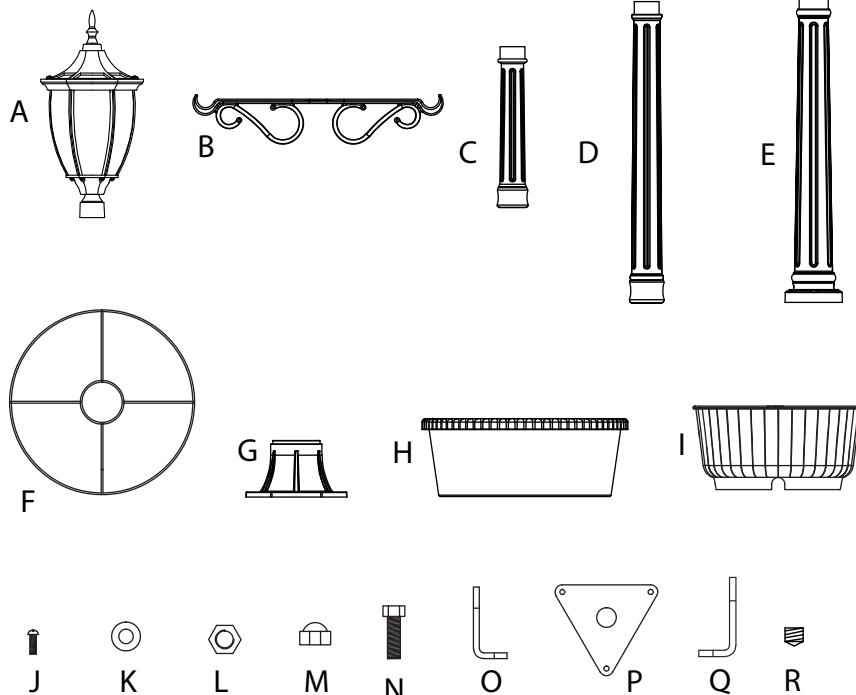


Protect batteries against heat and fire risk of explosion



Recycling

Parts Detail

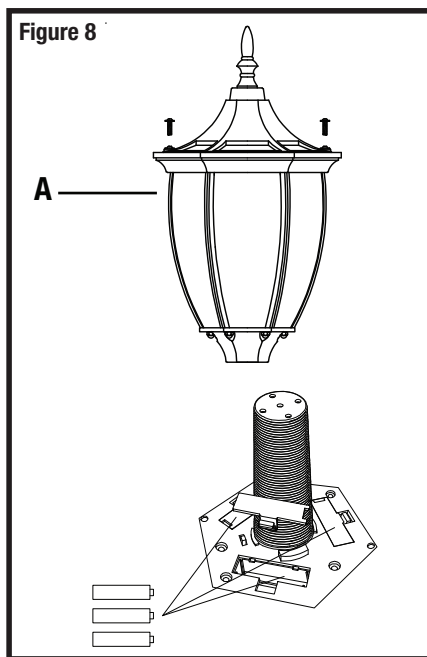


Carefully remove the contents from the package. If any parts are missing do not attempt to use the product until they have been obtained and correctly installed.

Battery Replacement

NOTE: The batteries in your solar lantern come preinstalled from the factory.

1. (SEE FIGURE 8) Remove the screws from the top of the solar lamp head (A) as shown in figure 8.
2. Remove the top portion of the lamp head from the lantern body. The battery compartments are located on the underside of the lantern as shown in figure 8.
3. Remove the old batteries.
4. Replace with new 3 AA rechargeable type Ni-Mh batteries. Reference polarity direction inside the battery compartments.
5. Replace the top on the lantern body and secure with 2 screws retained from step 1.

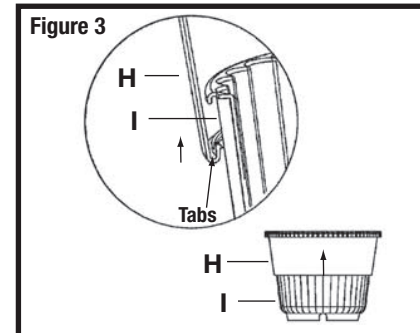
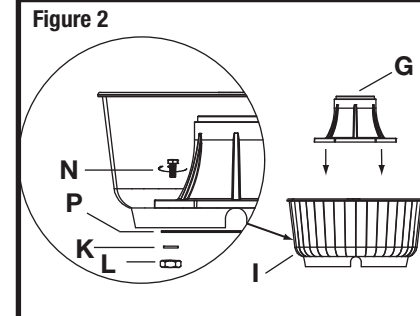


ASSEMBLY INSTRUCTIONS

Planter Base Assembly

Note: If using ground mounting instead of planter base mounting refer to "Ground Mounting" on page 3.

1. (SEE FIGURE 2) Attach lamp post base (G) to bottom planter (I) using hex bolts (N) mounting plate (P) Flat washer (K) and hex nut (L). Make sure the mounting plate flat washer and hex nut are secured to the hex bolt on the underside of the bottom planter base (I).
 2. (SEE FIGURE 3) Attach the upper planter (H) to the bottom planter base (I) by lining up the 4 tabs and pulling the top planter base up until tabs snap into place. Turn the upper planter clockwise to lock the tabs into place.
- Note:** It may be necessary to put pressure on the bottom planter base when pulling the top planter base up and turning.



OPERATING SOLAR LIGHT

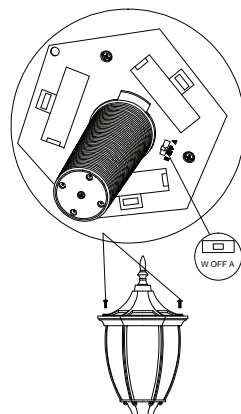
Instructions For First Time Use

Allow lantern to charge for at least 8 hours in full sunlight with the ON/OFF switch in the OFF position. The ON/OFF switch is located under the solar panel (See Figure 7, page 5). Once the batteries are fully charged) set the ON/OFF switch to ON. If the lantern doesn't turn on after initial charging) ensure batteries are making contact with the terminals.

Where To Place the Solar Light

Place the solar light in an area where it will receive direct sunlight for at least 8 hours per day. The number of hours light is illuminated is directly proportional to the number of hours of sunlight it receives. If the light is placed in a shaded area it will not be able to fully charge and its burn time will be limited. Do not place the light near other outdoor lighting like porch or streetlights. These may fool the sensor and keep the light from coming on) or cause it to turn off automatically.

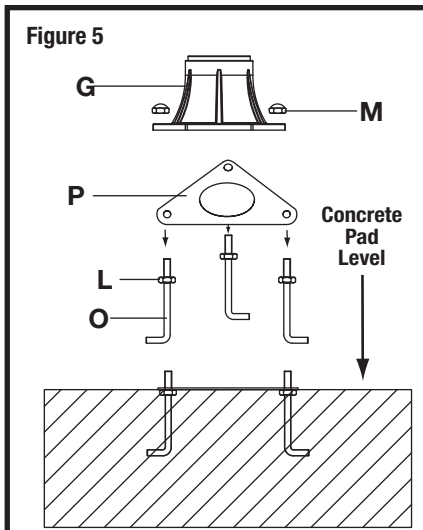
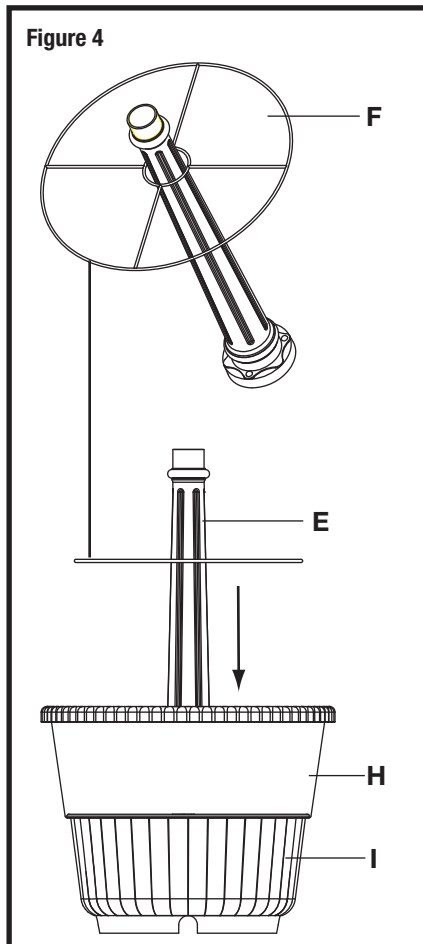
Position	Function	Comments
"W"	Manually Select White LED	Auto Dusk to Dawn Operation 3 White Super Bright LED's per head.
"A"	Manually Select Amber LED	Auto Dusk to Dawn Operation 1 Amber LED's per head.
"OFF"	On/Off Switch	Turns all lights off



Support Ring Assembly

1. (SEE FIGURE 4) Place the support ring(F) onto the top of the lower lamp post (E). Attach lower lamp post (E) to lamp post base (G) using M6 screw (J) in 3 places. Lower the support ring down the post until it rests on the top of the top planter base (H). To complete the solar lamp post with planter go to "Planter Base Assembly" steps 1 and 2.

CAUTION: To prevent product damage or personal injury from tip-over, lamp post planter base must be placed on a flat, level surface and be filled with 4 in. (minimum of 40 lbs.) of gravel or stone. Damage due to improper site selection, weighting or stabilization of the Lamp Post is not covered by Warranty.



Alternate Ground Mounting

1. (SEE FIGURE 5) Thread hex nut(L) onto the J-bolt (O). Make sure the hex nut is threaded down the j-bolt far enough for the top of the J-bolt to fit through the mounting plate (P) and the lamp post base (G) with enough threads to secure the base to the j-bolts with acorn nuts (M). Repeat the step for other j-bolts.
2. Using the mounting plate (P) as a guide insert the J-bolts with hex nuts into a wet concrete pad until the hex nuts are below pad level.
3. Place the mounting plate (P) onto the J-bolts forming a mounting bracket.
4. Align the lamp post base (G) holes with the J-bolts and secure with the acorn nuts (M).
Note: Refer to "Lamp Post Assembly" on page 4.

Lamp Post Assembly

1. (SEE FIGURE 6) Attach lower lamp post (E) to lamp post base (G) using M 6 screw (J) in 3 places.
 2. Place the middle lamp post (D) onto the lower lamp post (E) and twist clockwise to secure.
- Note: If using the planter base to mount the lamp post refer to Figure 4 before proceeding to the next step for lamp post assembly.
3. Place the upper lamp post (C) onto the middle lamp post (D) and twist clockwise to secure.
 4. Place the metal hanger (B) on the upper lamp post (C). Place the completed lantern assembly (A) on the upper lamp post (C) and twist clockwise to secure.
 5. After completing steps one through four secure the lantern body with small screw (R) using the Hexagon Spanner (Q)(SEE FIGURE 7) .

CAUTION: Balance weight on the metal hanger by adding weight to both ends to avoid putting stress on the piece. Suggested maximum weight on the hanger is approximately 15 total pounds.

