

### Limited Warranty

J & J Global, LLC (Seller) warrants to the original Buyer only, that each product will be free from defects in material and workmanship for a period of one (1) year from date of purchase. SELLER'S SOLE OBLIGATION AND BUYER'S EXCLUSIVE REMEDY UNDER THIS LIMITED WARRANTY SHALL BE THE REPAIR OR REPLACEMENT OF PARTS, WITHOUT CHARGE, WHICH ARE DEFECTIVE IN MATERIAL OR WORKMANSHIP. ANY PARTS AS DETERMINED BY THE SELLER WHICH HAVE BEEN MISUSED; ABUSED OR DAMAGED EITHER DIRECTLY OR INDIRECTLY FROM REPAIRS OR ALTERATIONS ATTEMPTED BY UNAUTHORIZED PERSON; IMPROPER MAINTENANCE, NEGLIGENCE OR ACCIDENT ARE NOT COVERED BY THIS LIMITED WARRANTY. This warranty does not apply to damage, heat-induced coloration changes, scratching or alteration due to normal use or weathering. To make a claim under this Limited Warranty, email [contact@ezreplacement.com](mailto:contact@ezreplacement.com) or visit [www.ezreplacement.com](http://www.ezreplacement.com) for warranty questions and claims.

#### Additional Limitations

THIS LIMITED WARRANTY DOES NOT APPLY TO ACCESSORY OR CONSUMABLE ITEMS RELATED TO THIS PRODUCT. ALL IMPLIED WARRANTIES SHALL BE LIMITED IN DURATION TO ONE (1) YEAR FROM DATE OF PURCHASE. IN NO EVENT SHALL SELLER BE LIABLE FOR ANY INCIDENTAL OR CONSEQUENTIAL DAMAGES, INCLUDING BUT NOT LIMITED TO LIABILITY FOR LOSS OF PROFITS, ARISING FROM THE SALE OR USE OF THIS PRODUCT.

If any provision of this Limited Warranty is for any reason held to be invalid or unenforceable, such provision shall not affect any other provision herein, this Limited Warranty shall be construed as if such invalid and/or unenforceable provision had never been contained herein.

This warranty gives you special legal rights, and you may also have other rights which vary from state to state.

This warranty contains the entire agreement between Seller and Buyer and supercedes any and all prior agreements, arrangements, or understandings between the parties relating to product warranty.

Due to ongoing product development the actual product or products may vary from the illustrations or photos shown within this manual.

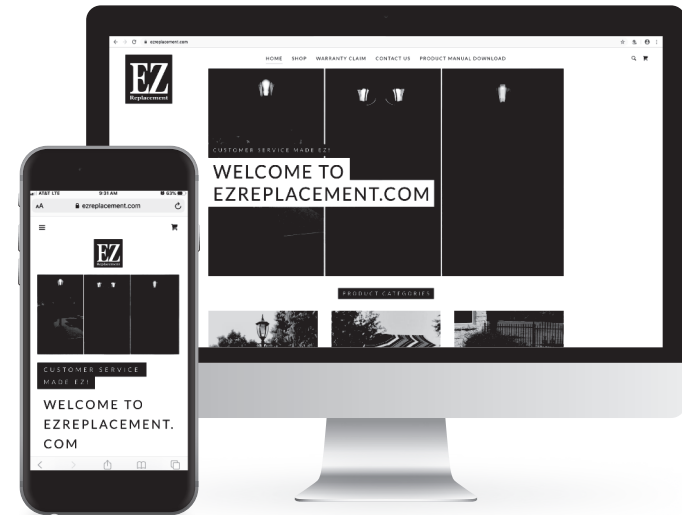
For Manuals, Replacement Parts or Customer Service visit:  
[www.ezreplacement.com](http://www.ezreplacement.com)

This product is intended for residential, non-commercial use.

#### ⚠ WARNING

This product can expose you to lead, a chemical known to the state of California to cause cancer, birth defects and/or other reproductive harm. For more information go to [www.p65warnings.ca.gov/product](http://www.p65warnings.ca.gov/product)

**MADE IN CHINA**  
©2019 J & J Global, LLC  
Distributed By:  
J & J Global, LLC  
Carrollton, TX 75006



- User Friendly Interface
- Download Product Manuals
- Email your questions or concerns
- File Warranty Claim
- Follow-up within 24 Hrs
- Parts Ship within 48 Hrs.



Parts distribution made from our Carrollton, TX warehouse facility

## ATTENTION!

Please do not return this product to the retailer.  
If you are missing or have damaged parts please email  
[contact@ezreplacement.com](mailto:contact@ezreplacement.com) Or Call 877-477-2264



# RealWork Biometric Rifle Safe

SKU: 401011, 411011, 441011, 401013, 411013, 441013



**Read the instructions and precautions before use of this product**

**Please keep this instruction manual for future reference**

For warranty information, please refer to the back page of this instruction manual.

## 8

### Emergency System

When system has no power or can not be opened by fingerprint, please use emergency key to open the safe. Remove the emergency key hole cover, and insert the key into the hole and turn the key to the right to open the safe.



**CAUTION:** Please always keep the emergency key outside of the safe.

### Care Instructions

**Do Not mix old batteries with new batteries.**

**Do not mix alkaline standard (Carbon-Zinc) or rechargeable (Nickel-Cadmium) batteries**

#### Recycling

**Please dispose of batteries properly. Consult your local telephone listing for a battery recycling center in your area.**



Ambient temperature maximum 40°C (105°F)



Do not dispose of batteries in household waste



Do not throw batteries into water!



Protect batteries against heat and fire risk of explosion



Recycling

# 5

## Resume Initial State

When opening, please take out one battery and press the start button to release power. Press and hold the red reset button down firmly and install battery again. Continue holding red reset button firmly, the safe will beep, 5 seconds later the system sounds two beeps, the green light turns on indicating the system is in its initial state (Any finger print can now open safe).

# 6

## Low-Battery Warning

If red light turns on and buzzer sounds when pressing the start button, the system is in low-battery status. Please replace old batteries with new batteries.

# 7

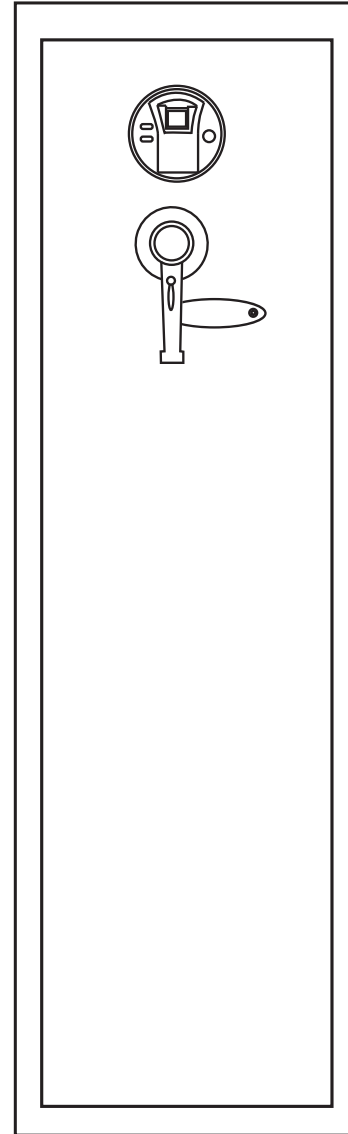
## External Battery Case

When the safe is in low-battery status or power off, you can use the external battery case to power and open the safe. The external power socket is located at the left fingerprint panel.

## Package Contents

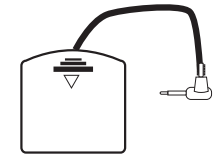
### A

Safe



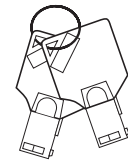
### B

External Battery Case



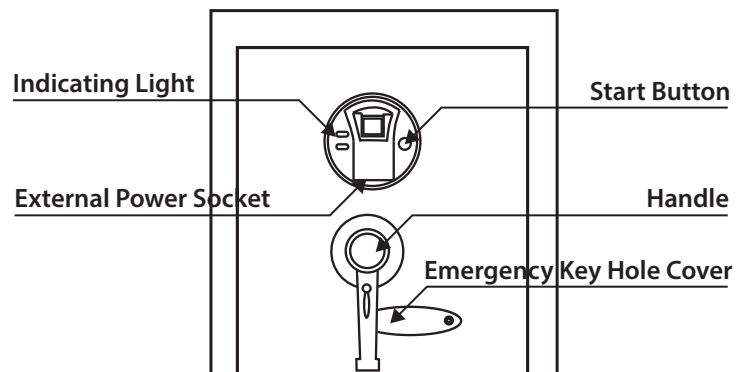
### C

Emergency Keys



Carefully remove the contents from the package. If any parts are missing do not attempt to use the product until they have been obtained and correctly installed.

# 1



# 2

## Opening Safe for first Time

Use emergency key system to open the safe first time: by using the hexagon wrench provided to remove the emergency key hole cover, insert emergency key and turn it left to end, at the same time turn the handle right to open the safe.

# 3

## Install Batteries

Remove the battery box cover at the backside of door and install batteries properly (4 AA Batteries Included).

# 4

## Input Personal Fingerprint

When opening, please press the red reset button at the right backside of door, then the buzzer sounds a beep and the fingerprint sensor screen flashes in red. Please put the finger on the sensor immediately. If the buzzer sounds a beep and green light turns on, it mean the first time fingerprint was accepted. Don't move away the finger, the buzzer will sounds two beeps. If the green light turns off, it means the personal fingerprint is accepted successfully. The fingerprint system can collect 120 different fingerprints.

## Close The Safe

Close the door and turn the handle to left to lock the safe

