

### Limited Warranty

J & J Global, LLC (Seller) warrants to the original Buyer only, that each product will be free from defects in material and workmanship for a period of one (1) year from date of purchase. SELLER'S SOLE OBLIGATION AND BUYER'S EXCLUSIVE REMEDY UNDER THIS LIMITED WARRANTY SHALL BE THE REPAIR OR REPLACEMENT OF PARTS, WITHOUT CHARGE, WHICH ARE DEFECTIVE IN MATERIAL OR WORKMANSHIP. ANY PARTS AS DETERMINED BY THE SELLER WHICH HAVE BEEN MISUSED; ABUSED OR DAMAGED EITHER DIRECTLY OR INDIRECTLY FROM REPAIRS OR ALTERATIONS ATTEMPTED BY UNAUTHORIZED PERSON; IMPROPER MAINTENANCE, NEGLIGENCE OR ACCIDENT ARE NOT COVERED BY THIS LIMITED WARRANTY. This warranty does not apply to damage, heat-induced coloration changes, scratching or alteration due to normal use or weathering. To make a claim under this Limited Warranty, email [contact@ezreplacement.com](mailto:contact@ezreplacement.com) or visit [www.ezreplacement.com](http://www.ezreplacement.com) for warranty questions and claims.

#### Additional Limitations

THIS LIMITED WARRANTY DOES NOT APPLY TO ACCESSORY OR CONSUMABLE ITEMS RELATED TO THIS PRODUCT. ALL IMPLIED WARRANTIES SHALL BE LIMITED IN DURATION TO ONE (1) YEAR FROM DATE OF PURCHASE. IN NO EVENT SHALL SELLER BE LIABLE FOR ANY INCIDENTAL OR CONSEQUENTIAL DAMAGES, INCLUDING BUT NOT LIMITED TO LIABILITY FOR LOSS OF PROFITS, ARISING FROM THE SALE OR USE OF THIS PRODUCT.

If any provision of this Limited Warranty is for any reason held to be invalid or unenforceable, such provision shall not affect any other provision herein, this Limited Warranty shall be construed as if such invalid and/or unenforceable provision had never been contained herein.

This warranty gives you special legal rights, and you may also have other rights which vary from state to state.

This warranty contains the entire agreement between Seller and Buyer and supercedes any and all prior agreements, arrangements, or understandings between the parties relating to product warranty.

Due to ongoing product development the actual product or products may vary from the illustrations or photos shown within this manual.

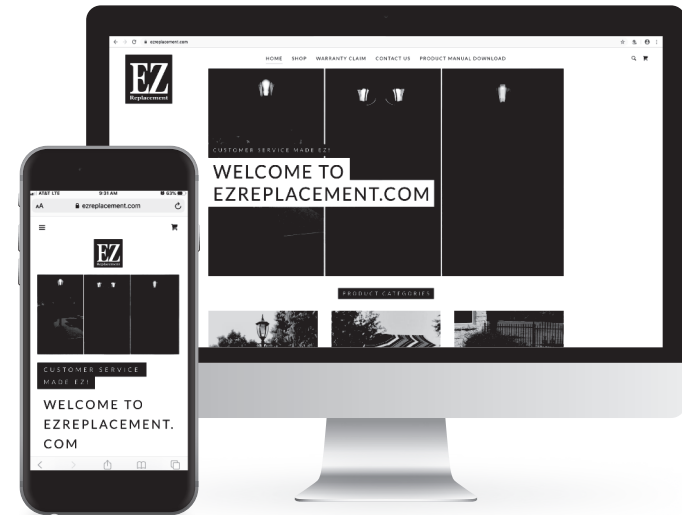
**For Manuals, Replacement Parts or Customer Service visit:  
[www.ezreplacement.com](http://www.ezreplacement.com)**

This product is intended for residential, non-commercial use.

#### WARNING

This product can expose you to lead, a chemical known to the state of California to cause cancer, birth defects and/or other reproductive harm. For more information go to [www.p65warnings.ca.gov/product](http://www.p65warnings.ca.gov/product)

**MADE IN CHINA**  
©2020 J & J Global, LLC  
Distributed By:  
J & J Global, LLC  
Irving, TX 75038



- User Friendly Interface
- Download Product Manuals
- Email your questions or concerns
- File Warranty Claim
- Follow-up within 24 Hrs
- Parts Ship within 48 Hrs.



Parts distribution made from our Carrollton, TX warehouse facility

## ATTENTION!

**Please do not return this product to the retailer.  
If you are missing or have damaged parts please email  
[contact@ezreplacement.com](mailto:contact@ezreplacement.com) Or Call 877-477-2264**



# RealWork Children's Wheelbarrow

SKU:405001



Read the instructions and precautions before use of this product

Please keep this instruction manual for future reference

For warranty information, please refer to the back page of this instruction manual.

## Care & Cleaning Instructions

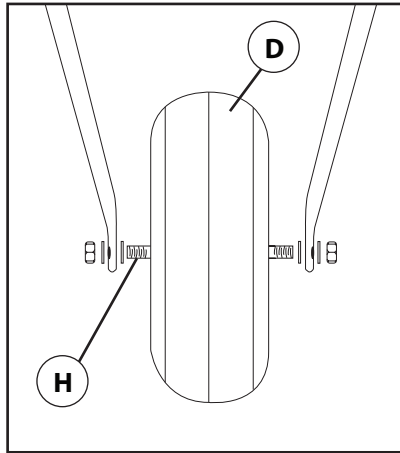
- The RealWork children's wheelbarrow is intended for play only. It is not intended to carry heavy loads.
- The frame can be washed with warm, soapy water. The wheel can be lubricated with a light lubricating oil. Do not use scourers, abrasive or chemical cleaners.
- The maximum safe load is 4.40lbs evenly distributed. Do not allow children to sit in the wheelbarrow.



**WARNING! Choking Hazard** This product contains small parts. Remove all packaging before use. Inspect the wheelbarrow regularly for sharp edges. Keep out of reach of children. Do NOT allow children to sit in the wheelbarrow.

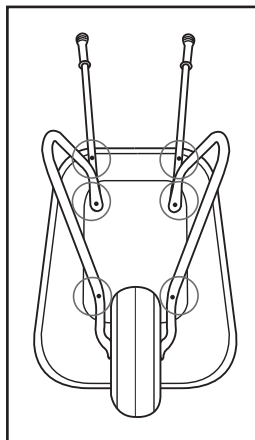
# 4

Insert the axle (part H) into the wheel and fit a washer over both ends of the axle. Place the wheel between the forks of the leg sections and slide each end of the axle through the holes in the forks. Slide a washer over both ends of the axle and screw on the nylon nuts (see illustration below). Carefully tighten the nuts together using adjustable wrenches. Tighten the nuts so the wheel moves freely. Do not over tighten.



# 5

Next, tighten up the nylon nut, bolt and washer sets (part F) nearest to the wheel using a phillips head screwdriver and adjustable wrench. It is advisable to hold the wheel straight whilst these nuts and bolts are tightened. Next, tighten the nut, bolt and washer sets (part E and G), in this order. Do not over tighten at this stage. When the leg sections and handles are firmly in place and all the parts are properly seated, give the nuts a final tighten.

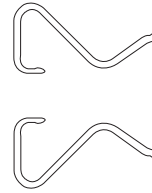


## Package Contents

A

Leg Section

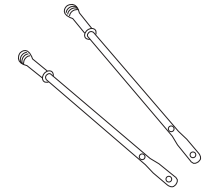
x2



B

Handles

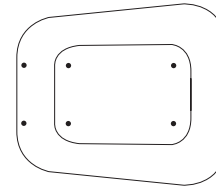
x2



C

Pan

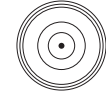
x1



D

Wheel

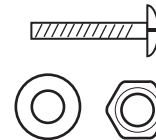
x1



E

Nut, Bolt, Washer Set 17mm

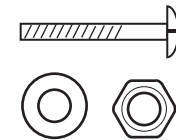
x2



F

Nut, Bolt, Washer Set 22mm

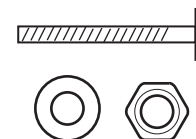
x2



G

Nut, Bolt, Washer Set 25mm

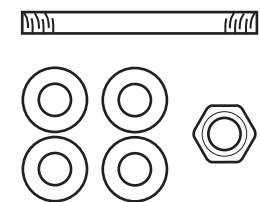
x2



H

Axe, Bolt, Washer Set

x1



Remove all parts and hardware from the carton and place them on a clean, soft, dry surface. Check the parts list to make sure nothing is missing. Dispose of packaging materials properly. Please recycle whenever possible.

You will need the following tools (not included): Phillips screwdriver and adjustable wrench.

## IMPORTANT SAFETY INFORMATION

Adult assembly only. Not suitable for children under 3 years old. This product should be used under direct supervision of an adult. Please retain the information on this pack and instructions for future reference.

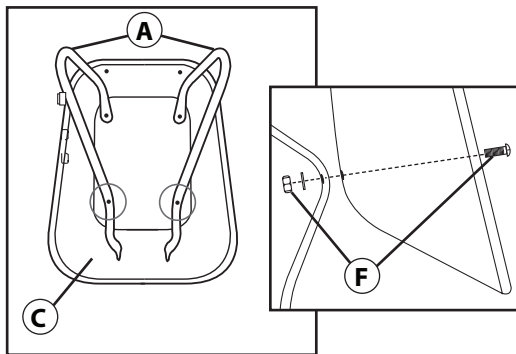


**WARNING! Choking Hazard** This product contains small parts. Remove all packaging before use. Inspect the wheelbarrow regularly for sharpe edges. Keep out of reach of children. Do NOT allow children to sit in the wheelbarrow.

# 1

### Assembling The Wheelbarrow

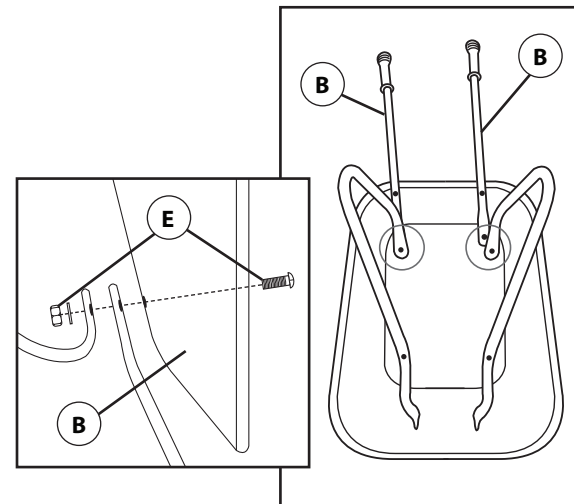
Lay the pan (part C) face down. Position the leg sections (part A) and line up the holes (see illustration below). Push the bolt (part F) from inside the pan through the lined up holes, fit the washer and screw on the nylon nut, finger tighten only at this stage.



**Assembly Tip:** Assemble all the frame pieces and put the wheel in position. Leave all the nuts and bolts "finger tight" only. Tighten up the wheel first and then tighten up the pairs of nuts and bolts nearest to the wheel. it is a good idea to hold the wheel straight at the same time the nuts and bolts are tightend up Then you can tighten the two other pairs of nuts and bolts.

# 2

Slide the handles (part B) under the loose ends of the leg sections and line up the holes (see illustration below). Push the bolt (part E) from inside the pan through the lined up holes, fit the washer and screw on the nylon nut, finger tighten only at this stage.



# 3

Secure the handles with the nut, bolt and washer set (part G) (see illustration below). Push the bolt from inside the pan through the lined up holes, fit the washner and screw on the nylon nut, finger tighten only at this point.

