

Limited Warranty

J & J Global, LLC (Seller) warrants to the original Buyer only, that each product will be free from defects in material and workmanship for a period of one (1) year from date of purchase. SELLER'S SOLE OBLIGATION AND BUYER'S EXCLUSIVE REMEDY UNDER THIS LIMITED WARRANTY SHALL BE THE REPAIR OR REPLACEMENT OF PARTS, WITHOUT CHARGE, WHICH ARE DEFECTIVE IN MATERIAL OR WORKMANSHIP. ANY PARTS AS DETERMINED BY THE SELLER WHICH HAVE BEEN MISUSED; ABUSED OR DAMAGED EITHER DIRECTLY OR INDIRECTLY FROM REPAIRS OR ALTERATIONS ATTEMPTED BY UNAUTHORIZED PERSON; IMPROPER MAINTENANCE, NEGLIGENCE OR ACCIDENT ARE NOT COVERED BY THIS LIMITED WARRANTY. This warranty does not apply to damage, heat-induced coloration changes, scratching or alteration due to normal use or weathering. To make a claim under this Limited Warranty, email contact@ezreplacement.com or visit www.ezreplacement.com for warranty questions and claims.

Additional Limitations

THIS LIMITED WARRANTY DOES NOT APPLY TO ACCESSORY OR CONSUMABLE ITEMS RELATED TO THIS PRODUCT. ALL IMPLIED WARRANTIES SHALL BE LIMITED IN DURATION TO ONE (1) YEAR FROM DATE OF PURCHASE. IN NO EVENT SHALL SELLER BE LIABLE FOR ANY INCIDENTAL OR CONSEQUENTIAL DAMAGES, INCLUDING BUT NOT LIMITED TO LIABILITY FOR LOSS OF PROFITS, ARISING FROM THE SALE OR USE OF THIS PRODUCT.

If any provision of this Limited Warranty is for any reason held to be invalid or unenforceable, such provision shall not affect any other provision herein, this Limited Warranty shall be construed as if such invalid and/or unenforceable provision had never been contained herein.

This warranty gives you special legal rights, and you may also have other rights which vary from state to state.

This warranty contains the entire agreement between Seller and Buyer and supercedes any and all prior agreements, arrangements, or understandings between the parties relating to product warranty.

Due to ongoing product development the actual product or products may vary from the illustrations or photos shown within this manual.

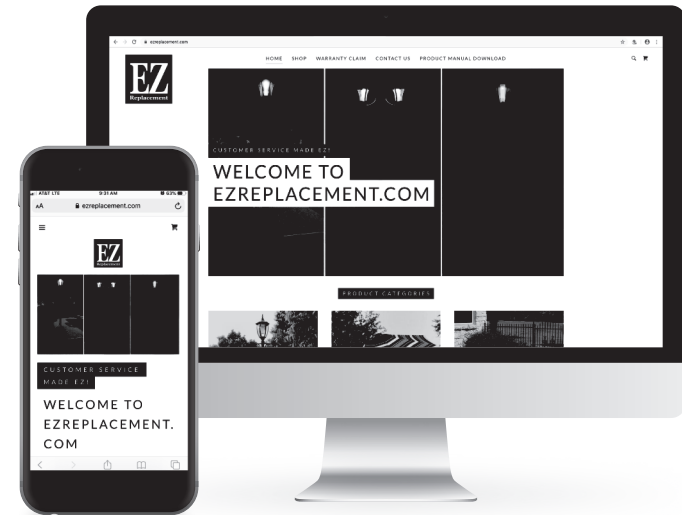
**For Manuals, Replacement Parts or Customer Service visit:
www.ezreplacement.com**

This product is intended for residential, non-commercial use.

⚠ WARNING

This product can expose you to lead, a chemical known to the state of California to cause cancer, birth defects and/or other reproductive harm. For more information go to www.p65warnings.ca.gov/product

MADE IN CHINA
©2021 J & J Global, LLC
Distributed By:
J & J Global, LLC
Dallas, TX 75234



- User Friendly Interface
- Download Product Manuals
- Email your questions or concerns
- File Warranty Claim
- Follow-up within 24 Hrs
- Parts Ship within 48 Hrs.



Parts distribution made from our Carrollton, TX warehouse facility

ATTENTION!

**Please do not return this product to the retailer.
If you are missing or have damaged parts please email
contact@ezreplacement.com Or Call 877-477-2264**



Raised Pet Bed w/ Cover

SKU: 701001, 701001G, 701002, 701002G, 701003, 701003G



Read the instructions and precautions before use of this product






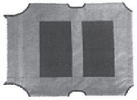

Please keep this instruction manual for future reference

For warranty information, please refer to the back page of this instruction manual.

Important Instructions

This pet cot is not a toy, although it is made with sturdy steel, plastic and oxford fabric, it still cannot be torn, bit or scratched by pet for a long time. Try to avoid this damage, we recommend you accompany and train your lovely pet, so they can get used to the pet cot which will increased product life span.

Package Contents

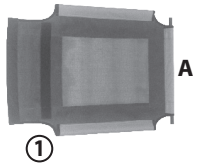
A	B	C	D
<p>Long Metal Pipe</p>  <p>M/30* x2 L/36* x2 XL/48* x2</p>	<p>Bed Leg</p>  <p>M/30* x4 L/36* x4 XL/48* x4</p>	<p>Short Metal Pipe</p>  <p>M/30* x2 L/36* x4 XL/48* x6</p>	<p>Plastic part</p>  <p>M/30* x0 L/36* x2 XL/48* x4</p>
E	F	G	H
<p>Bed Support Leg</p>  <p>M/30* x0 L/36* x1 XL/48* x2</p>	<p>Cover</p>  <p>M/30* x1 L/36* x1 XL/48* x1</p>	<p>Canopy (Optional)</p>  <p>M/30* x1 L/36* x1 XL/48* x1</p>	<p>Tent Polo (Optional)</p> <p>M/30* x4 L/36* x4 XL/48* x4</p>

Read this instruction manual carefully before assembly and use. Keep this instruction manual in a proper and safe place for future use in case needed.

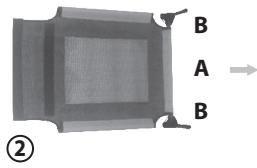
M

Directions for Medium Size

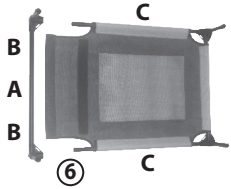
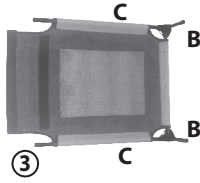
Insert "A" into the fabric



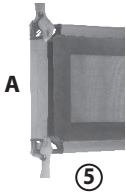
Insert "B" into each end of "A"



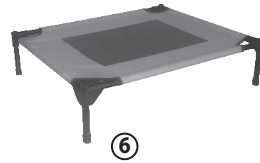
Inset "C" into "B"



Insert "B" into the last "A" then attach to "C"



Pull hard to attach Velcro

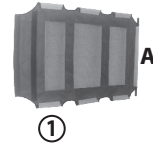


Assembly Finished

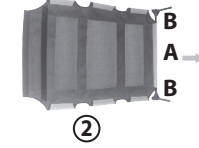
XL

Directions for Extra Large Size

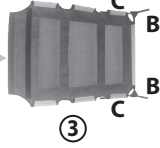
Insert "A" into the fabric



Insert "B" into each end of "A"

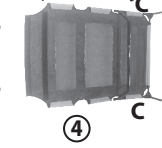


Inset "C" into "B"



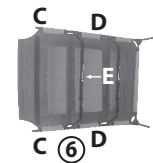
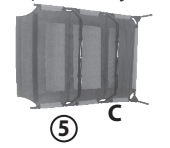
Insert "D" into "C"

Insert "D" into

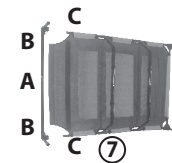


Insert "C" tube into "D"

Insert "C" tube into "D"

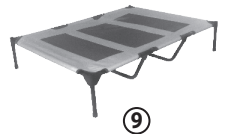
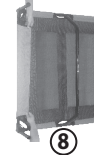


Insert "D" into "E" then inset "D" into "C"



Insert "B" into "A" then inset "B" into "C"

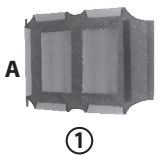
"E". Then insert "D" into metal tube "C"



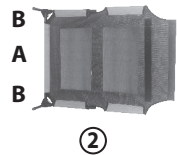
L

Directions for Large Size

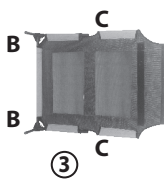
Insert "A" into the fabric



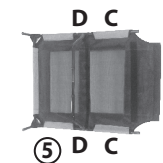
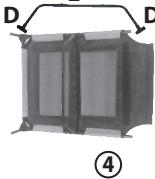
Insert "B" into each end of the "A" tube



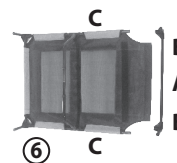
Inset "C" into "B"



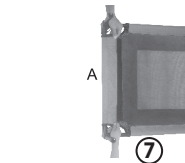
Insert "D" into "C" Insert "D" into support leg E



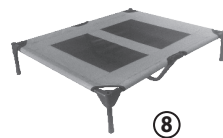
Insert "C" into "D"



Insert "B" into "A" Insert "A" into "C"



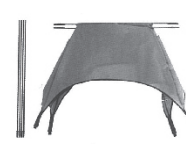
Pull hard to attach Velcro



Assembly Finished

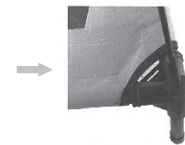
C

Directions for Canopy Option

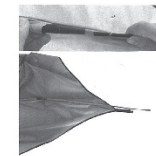


Parts "G" and "H" required

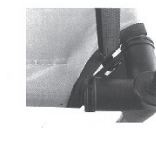
Attach tent pole ends to the corners of cot



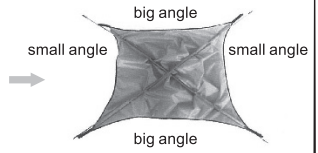
Attach tent pole ends to corners of cot



Inset 4 tent poles "H" and attach to plastic connectors



Secure the canopy with bungee cords at each corner of bed legs



Canopy Finished! To connect canopy correctly big angles should align with long side of cot



Finished! Note: Side with plastic connectors should be outward