

Limited Warranty

J & J Global, LLC (Seller) warrants to the original Buyer only, that each product will be free from defects in material and workmanship for a period of one (1) year from date of purchase. SELLER'S SOLE OBLIGATION AND BUYER'S EXCLUSIVE REMEDY UNDER THIS LIMITED WARRANTY SHALL BE THE REPAIR OR REPLACEMENT OF PARTS, WITHOUT CHARGE, WHICH ARE DEFECTIVE IN MATERIAL OR WORKMANSHIP. ANY PARTS AS DETERMINED BY THE SELLER WHICH HAVE BEEN MISUSED; ABUSED OR DAMAGED EITHER DIRECTLY OR INDIRECTLY FROM REPAIRS OR ALTERATIONS ATTEMPTED BY UNAUTHORIZED PERSON; IMPROPER MAINTENANCE, NEGLIGENCE OR ACCIDENT ARE NOT COVERED BY THIS LIMITED WARRANTY. This warranty does not apply to damage, heat-induced coloration changes, scratching or alteration due to normal use or weathering. To make a claim under this Limited Warranty, email contact@ezreplacement.com or visit www.ezreplacement.com for warranty questions and claims.

Additional Limitations

THIS LIMITED WARRANTY DOES NOT APPLY TO ACCESSORY OR CONSUMABLE ITEMS RELATED TO THIS PRODUCT. ALL IMPLIED WARRANTIES SHALL BE LIMITED IN DURATION TO ONE (1) YEAR FROM DATE OF PURCHASE. IN NO EVENT SHALL SELLER BE LIABLE FOR ANY INCIDENTAL OR CONSEQUENTIAL DAMAGES, INCLUDING BUT NOT LIMITED TO LIABILITY FOR LOSS OF PROFITS, ARISING FROM THE SALE OR USE OF THIS PRODUCT.

If any provision of this Limited Warranty is for any reason held to be invalid or unenforceable, such provision shall not affect any other provision herein, this Limited Warranty shall be construed as if such invalid and/or unenforceable provision had never been contained herein.

This warranty gives you special legal rights, and you may also have other rights which vary from state to state.

This warranty contains the entire agreement between Seller and Buyer and supercedes any and all prior agreements, arrangements, or understandings between the parties relating to product warranty.

Due to ongoing product development the actual product or products may vary from the illustrations or photos shown within this manual.

For Manuals, Replacement Parts or Customer Service visit:
www.ezreplacement.com

This product is intended for residential, non-commercial use.

⚠ WARNING

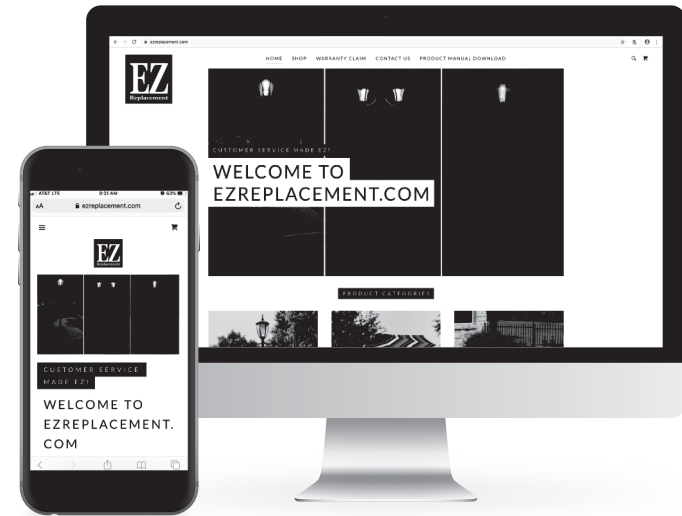
This product can expose you to lead, a chemical known to the state of California to cause cancer, birth defects and/or other reproductive harm. For more information go to www.p65warnings.ca.gov/product

MADE IN CHINA
©2019 J & J Global, LLC
Distributed By:
J & J Global, LLC
Carrollton, TX 75006

EZ
Replacement

www.EZreplacement.com

Customer Service Made EZ!



- User Friendly Interface
- Download Product Manuals
- Email your questions or concerns
- File Warranty Claim
- Follow-up within 24 Hrs
- Parts Ship within 48 Hrs.



Parts distribution made from our Carrollton, TX warehouse facility

ATTENTION!

Please do not return this product to the retailer.
If you are missing or have damaged parts please email
contact@ezreplacement.com Or Call 877-477-2264



9' Bluetooth Speaker Solar Lighted Umbrella

SKU: 801040, 801041, 801042, 801043



Read the instructions and precautions before use of this product

Please keep this instruction manual for future reference

For warranty information, please refer to the back page of this instruction manual.

Care Instructions

Clean any dirt and debris from the solar panels, the panels cannot recharge if the light is obstructed. Use a soft cloth to clean the panels. Do not use abrasives or chemicals that might scratch or damage the UV coating.

In a region where snow and ice are likely, and the light assembly is covered with snow for an extended period of time the batteries will require recharge for at least 8 hours.

Do not mix old batteries with new batteries.

Do not mix alkaline standard (Carbon-Zinc) or rechargeable (Nickel-Cadmium) batteries

Recycling

Please dispose of batteries properly. Consult your local telephone listing for a battery recycling center in your area.



Ambient temperature
maximal 40°C (105°F)



Do not dispose of
batteries in
household waste



Do not throw
batteries into water!



Protect batteries
against heat and fire
risk of explosion



Recycling

Safety Information

Safety Information

Never use the USB cord to pull the plug from the outlet. Keep cord away from heat, oil, sharp edges or moving parts.

Product must be recharged only with an USB power adapter. A charger that may be suitable for one type of battery may create a risk of fire when used with another battery.

Use product with supplied 3.2v - 3.7v/4000mAh Life battery pack only.

When servicing a product, use only identical replacement parts. Follow instructions in the Maintenance section of this manual. Use of unauthorized parts or failure to follow Maintenance instructions may create a risk of electrical shock or injury.



Warning: Changes or modifications to this unit not expressly approved by the party responsible for compliance could void the users authority to operate this equipment.



Note: This equipment has been tested and found to comply with the limits for a Class B digital device, pursuant to Part 5 of the FCC Rules. These limits are designed to provide reasonable protection against harmful interference in a residential installation. This equipment generates, uses and can radiate radio frequency energy and, if not installed and used in accordance with the instructions, may cause harmful interference to radio communications. However, there is no guarantee that interference will not occur in a particular installation. If this equipment does cause harmful interference to radio or television reception, which can be determined by turning the equipment off and on, the user is encouraged to try to correct the interference by one or more of the following measures:

- Reorient or relocate the receiving antenna.
- Increase the separation between the equipment and receiver.
- Connect the equipment into an outlet on a circuit different from that to which the receiver is connected.
- Consult the dealer or an experienced radio/TV technician for help. This Class B digital apparatus complies with Canadian ICES-003. Cet appareil numérique de la classe B est conforme à la norme NMB-003 du Canada

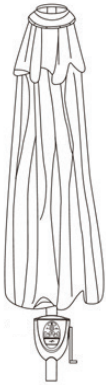

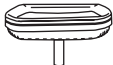



Warning: Do not use near fire or other heat source.



Caution: Do not immerse in water.

Package Contents

A x1	Solar Umbrella Assembly 	B x1	Umbrella Pole 	C x1	Lower & Upper Bracket 
D x1	Solar Panel 				

General Safety

- Never leave children unsupervised with the packaging material. There is a risk of suffocation.
- Improper use of this item may result in physical harm.
- Ensure that the article is properly stable before use.
- Examine the item for damage or wear before each use.
- Close and store the umbrella when not in use.
- Always securely fasten the umbrella into an umbrella base.
- DO NOT use the product in windy conditions. Excessive wind can cause damage to the product or danger to people.
- The light source of this luminaire is not replaceable. When the light source reaches its end of life the whole luminaire shall be replaced.
- The battery must be removed from the appliance before its scrapped.
- The battery is to be disposed of safely.

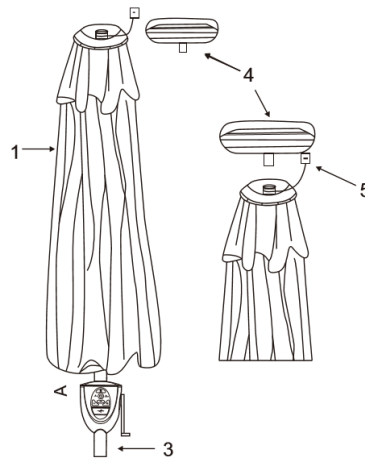
1

Take out the bottom pole (2) and the umbrella body(1) from the bag

Twist the lower umbrella pole (2) into umbrella (3)

If your model shipped with the solar panel (4) packed separately (not attached to the umbrella), match the electronic connector from the solar panel with the electronic connector located at the top of the umbrella (5). Then insert and twist the solar panel into the top cap to lock.

Place the umbrella upright in a heavy weighted stand (not included), and table capable of firmly securing the Umbrella.



2

Adjusting the Umbrella Up & Down

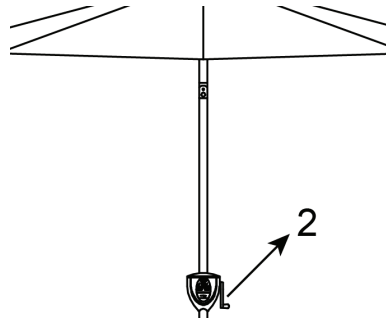
Using the crank handle (2), raise the umbrella to desired height. Turn the crank handle (2) clockwise to open the umbrella.



CAUTION: Securely fasten the umbrella to an appropriately sized umbrella base (not included). Do not install into the ground. Not intended for permanent installation or use.



CAUTION: The Umbrella ribs may compress during shipping. Before opening the umbrella turn it upside down and shake it gently to sperate ribs.

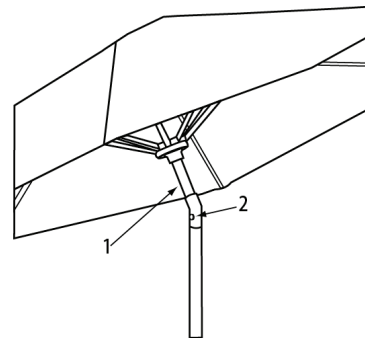


3

Adjusting The Umbrella Tilt

Hold the umbrella pole (1) above the tilt button, and press the tilt button (2) inward.

With the tilt button pushed inward, move the umbrella to the desired position, then release the button to lock in place.



Care Instructions

FCC STATEMENT

This device complies with Part 15 of the FCC Rules. Operation is subject to the following two conditions:

(1) This device may not cause harmful interference, and

(2) This device must accept any interference received, including interference that may cause undesired operation

Caution: The user is cautioned that changes or modifications not expressly approved by the party responsible for compliance could void the user's authority to operate the equipment.

Note: This equipment has been tested and found to comply with the limits for a Class B digital device, pursuant to part 15 of the FCC Rules. These limits are designed to provide reasonable protection against harmful interference in a residential installation. This equipment generates, uses and can radiate radio frequency energy and, if not installed and used in accordance with the instructions, may cause harmful interference to radio communications. However, there is no guarantee that interference will not occur in a particular installation. If this equipment does cause harmful interference to radio or television reception, which can be determined by turning

the equipment off and on, the user is encouraged to try to correct the interference by one or more of the following measures:

- Reorient or relocate the receiving antenna.
- Increase the separation between the equipment and receiver.
- Connect the equipment into an outlet on a circuit different from that to which the receiver is connected.
- Consult the dealer or an experienced radio/TV technician for help.

If power exceeds the limit and the distance (Over 20cm distance in actual use between the device and user) is compliant with the requirement

This equipment complies with FCC's RF radiation exposure limits set forth for an uncontrolled environment. The antenna(s) used for this transmitter must be installed and operated to provide a separation distance of at least 20 cm from all persons and must not be collocated or operating in conjunction with any other antenna or transmitter. Installers must ensure that 20cm separation distance will be maintained between the device (excluding its handset) and users.

12

Cleaning the Solar Panel and LED's

Gently clean the solar panels and LED's with a soft cloth. Do not use abrasives or chemicals to clean the solar panels.

Remove dust and debris using a soft cloth or duster.

Cleaning the Canopy and Frame

Rinse the umbrella with clear, clean water. If necessary, use a gentle fabric cleaner, rated safe for polyester fabrics. Clean the umbrella canopy with a soft brush and mild detergent.

Do NOT machine wash or Iron.

Air dry the canopy thoroughly in an open position before storing for extended periods of time.

Make sure the canopy is completely open during the drying process to prevent shrinkage.

13

Replacing the Umbrella Battery

Remove screws (1) securing the battery pack (2) to the crank housing.

Carefully lift the battery pack from the crank housing compartment.

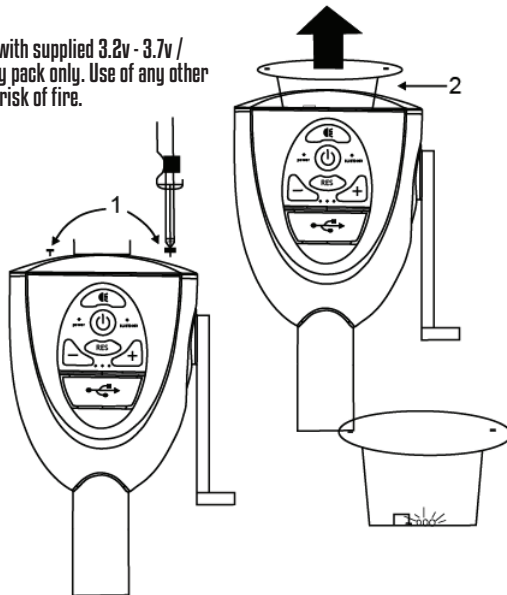
Replace with genuine battery pack ONLY.

Re-assemble in reverse order.

Refer to "Battery Charging" section.



Warning: Use product with supplied 3.2v - 3.7v / 4000mAh LifePo battery pack only. Use of any other batteries may create a risk of fire.



4

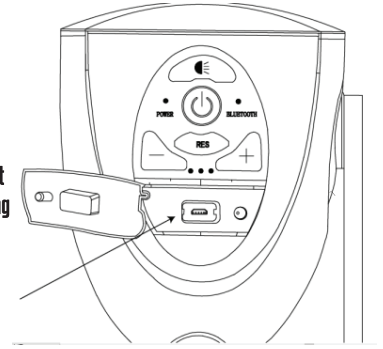
Charging the Battery using the USB Power Adapter

Connect the micro USB cable to the charging port on the speaker.

Connect the USB plug end of the cable to a powered USB port on computer or other USB charging device (not Included) or AC power adapter then to an electrical socket directly. A steady Red light indicates the battery is charging and steady Green light when the unit is fully charged.



CAUTION: The LED lights do not turn off automatically. Always turn the lights off when not in use.



5

Charging the Battery using the Solar Panel

Place the fully assembled solar umbrella in full sun where it will receive direct sunlight for at least 8 hours per day.



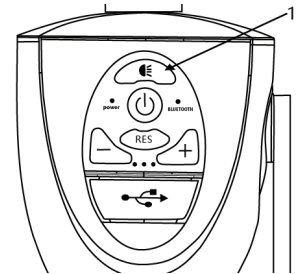
6

Turning the LED Lights On/Off

Press the LED lights "On/Off" button (1) to activate the LED's. Lights will toggle On/Off each time the button is pressed.



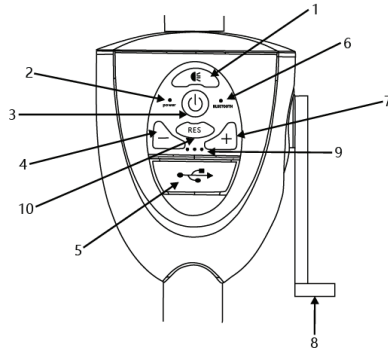
CAUTION: The LED lights do not turn off automatically. Always turn the lights off when not in use.



7

Using the Controls

1. LED Lights "On/Off"
2. Power Indicator Light
3. Bluetooth® "On/Off"
4. Volume Down [-] Button
5. USB 5v DC Power Port (for charging portable device - electrical power only - no data transfer)
6. Bluetooth® indicator light
7. Volume Up [+] Button
8. Canopy Crank Handle
9. Battery Indicator
10. Reset Button



8

Using the Bluetooth® Audio Speaker

This product is designed to provide high quality wireless sound for your iPad, iPhone, iPod, computer, PDA or other Bluetooth® audio device.

Pairing a Bluetooth® Device with Your Speaker

Press the Bluetooth® On/Off button (3) to turn on the speaker. The Power indicator light (2) will illuminate. Bluetooth® indicator light (6) will start blinking slowly. You are ready to pair your device. Battery indicator (9) will change colors when charging:

Indicator Color	Battery Charge Status
Red	< 20% charge immediately
Yellow	20% - 60% battery life
Green	Above 60% battery life

Go to the Bluetooth® Manager of your Bluetooth® device. Search Bluetooth® devices and select "Music Umbrella" to start connecting.

Enter "1234" if your device asks for the Password code.

Once paired, the unit will beep and the Blue LED light will turn on steadily.

To turn Off the Bluetooth® speaker, press and hold the On/Off button (3) for approximately 5 seconds

9

Using the Bluetooth® Audio Speaker

You should only need to pair your Bluetooth® device with your speaker one time.

The next time your Bluetooth® device and the speaker are in range of each other, and the Bluetooth® feature is turned on, they should automatically connect.

The unit will only automatically connect to the last Bluetooth® device it was connected to.

If your paired device does not automatically connect, navigate to the Bluetooth® menu on your device and select "Music Umbrella" from the list.

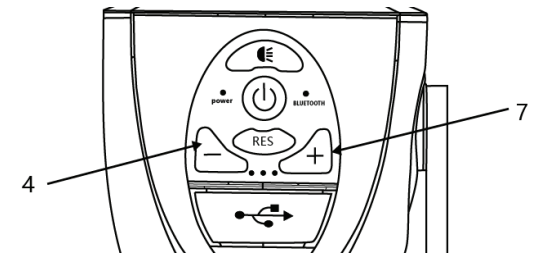
Press the RST button (10) for 3 seconds to cut off current Bluetooth® connect.

10

Using the Bluetooth® Audio Speaker

Once your media device is paired with the speaker, simply start playing music, a movie or game and all the audio will automatically be played through the speaker.

Press Volume Up + (7) or Down - (4) on to adjust the volume level of the speaker.



11

Reconnecting Your Device

If you move out of range or turn off the Bluetooth® feature on your device, the speaker will disconnect from your device. To reconnect, simply access the Bluetooth® Manager on your device and select "Music Umbrella"

Out of Range or Lost Signal

If your device is out of range (beyond 30 ft.) of the speaker or if the Bluetooth® signal is lost, the indicator light (6) will flash slowly to indicate that the Bluetooth® connection has been lost.

