



Research Development
FAA APPROVAL NO. PQ3975CE

TMT Part No: 19504-1TMT

OEM Part No: 19504-1

Supp. No: 38

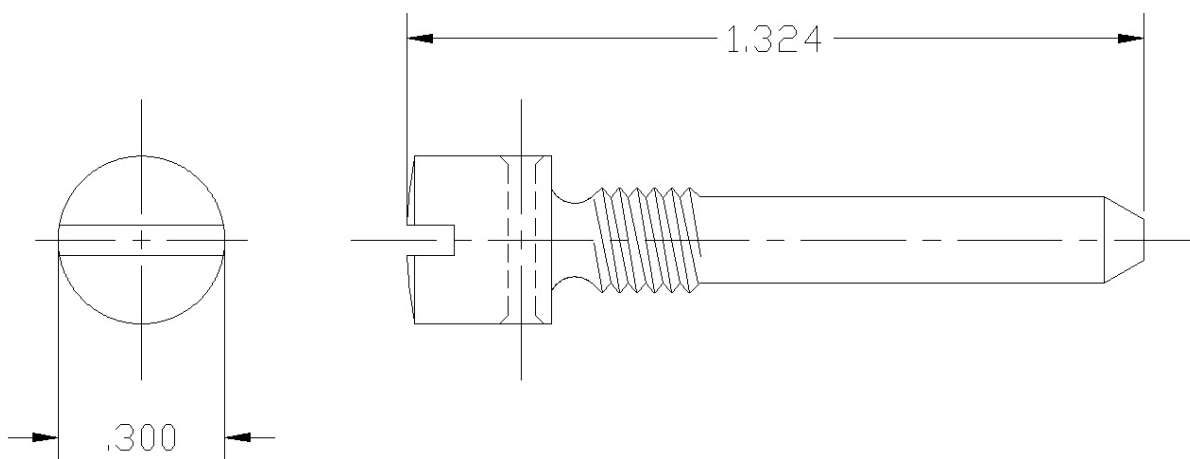
NHA: Solair T-62T-16AT APU

ATA: 49

Eligibility: Erickson Air-Crane S-64E/F Helicopter



Turbine Nozzle Retaining Pin



2850 Kirby Circle NE • Palm Bay, Florida 32905 • Tel: 321.676.1000 • Fax: 321.676.1900 • www.tmtresearch.com