



Research Development
FAA APPROVAL NO. PQ3975CE

TMT Part No: 260-289TMT

OEM Part No: 260-289

Supp. No: 29

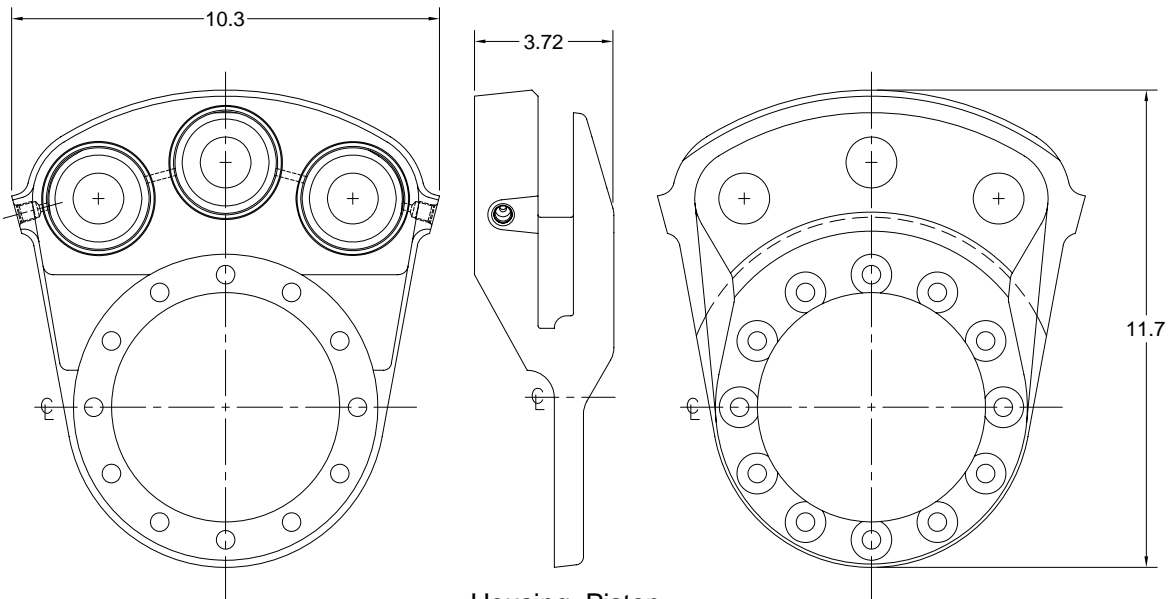
NHA: -

ATA: 32

Eligibility: Erickson Air-Crane Model A-64E & A-64F
Series Rotorcraft



Piston Housing



Housing, Piston