



Research Development
FAA APPROVAL NO. PQ3975CE

TMT Part No: 3826160-2TMT

OEM Part No: 3826160-2

Supp. No: 12

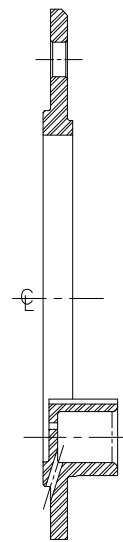
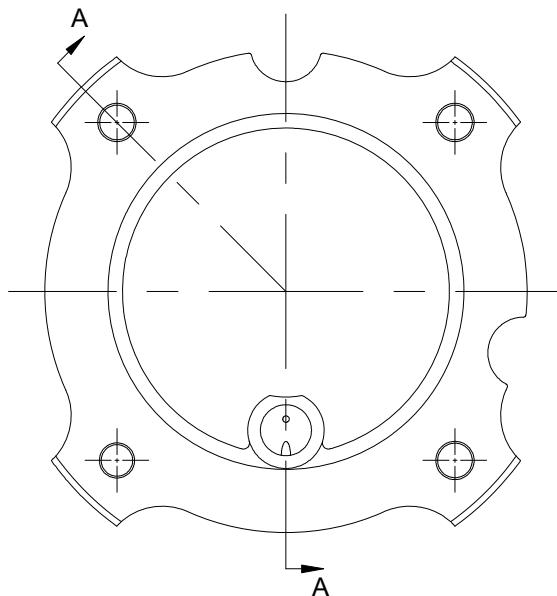
NHA: GTCP331 Auxiliary Power Unit

ATA: 49

Eligibility: A300-600, A310, B747-200, B757, & B767 Aircraft



Retainer



Section A-A