



Research Development  
FAA APPROVAL NO. PQ3975CE

**TMT Part No:** 501268TMT

**OEM Part No:** 501268

**Supp. No:** 41

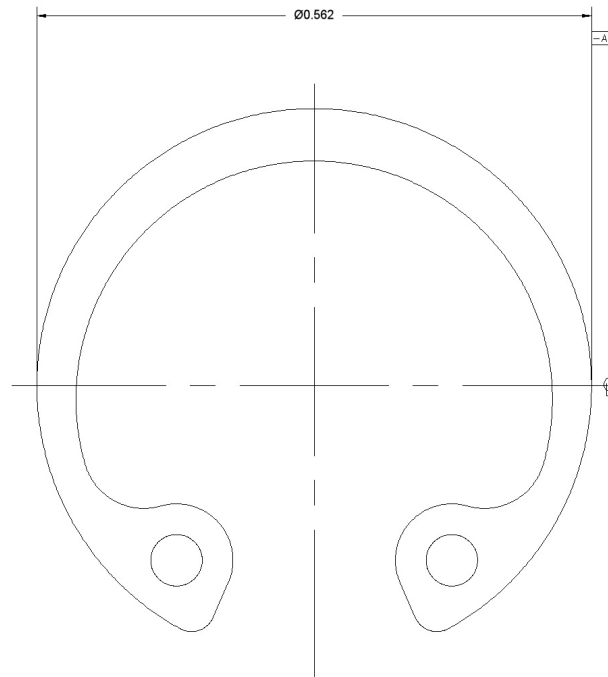
**NHA:** -

**ATA:** 72

**Eligibility:** JFTD12A-4A/-5A Series Engines



**Retaining Ring**



2850 Kirby Circle • Palm Bay, Florida 32905 • Tel: 321.676.1000 • Fax: 321.676.1900 • [www.tmtresearch.com](http://www.tmtresearch.com)