



Research Development
 FAA APPROVAL NO. PQ3975CE

TMT Part No: J-082269-6TMT (Plastic Flange)
 J-082269-7TMT (hollow ball)
 J-082269-8TMT (solid ball)
 J-082269-9TMT (Improved)

OEM Part No: J-082269-6 (Plastic Flange)
 J-082269-7 (hollow ball)
 J-082269-8 (solid ball)
 J-082269-9 (Improved)



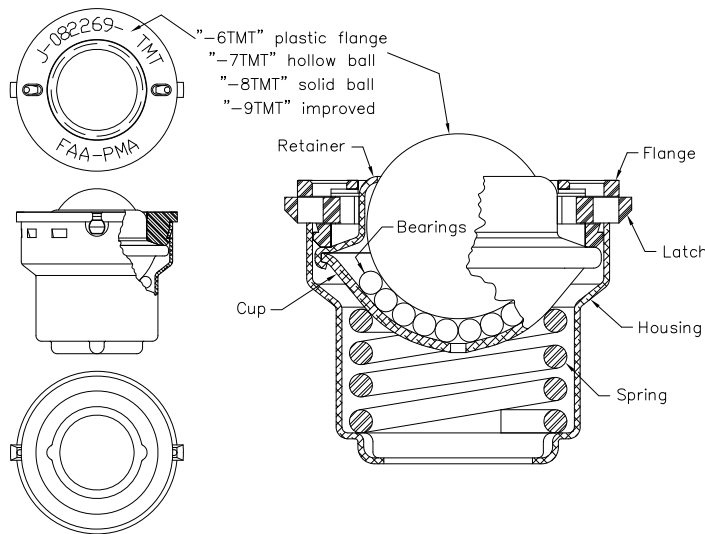
Ball Transfer Unit

Supp. No: 4, 26

NHA: Various

ATA: 25

Eligibility: A300, A310, A320, A330, A340, B727, B737, B747, B757, B767, B777 & L1011 Aircraft



2850 Kirby Circle • Palm Bay, Florida 32905 • Tel: 321.676.1000 • Fax: 321.676.1900 • www.tmtresearch.com