

## Wagner / KREMLIN Comparison Sheet



**Wagner GM4700**  
**List Price: \$943.02**



**KREMLIN Xcite Gun**  
**List Price: \$1,045.00**

The following was taken from WOODWEB forum 10/4/19

**Hello, I have been looking at the Wagner GM 4700 gun. Wagner says the gun has the highest transfer efficiency on the market. Has anybody tried comparing this to a Kremlin Xcite Airmix?**

Responses:

“On YouTube there is a video channel from "The Wood Craftsman." He demonstrates the new Wagner Aircoat GM4700 in several of his most recent videos. He had gone from a Kremlin to a to this new Wagner. He says that he's getting his best results from this gun, that the finish lays down smoother and with less overspray than the other guns, using only 10 psi instead of 17 psi”.

“If I remember correctly the Wagner had a 7% or 9% more transfer rate than the Kremlin. Also, reversible tips, cheaper tips etc. I am seriously thinking about making the switch. “

“The other thing I like about the gun it has air and fluid swivels as standard items, and the fluid filter is cheap compared to my other guns and holds a lot more trash without plugging up”

**RBF Machine Services, INC**

561 Norwood Rd, Columbia, Pa 17512

Call or Text -717-803-6448

steve@rbfmachineservices.com

# RBF MACHINE SERVICES

## Consumable Parts Cost

Wagner GM 4700 Aircoat Gun		
Part #	Description	List Price ea.
394338	Seal tip (#17)	\$ 5.70
394339	Gasket (#14)	\$ 9.00
2313497	Air cap HV plus (blue / GM 4x00AC)	\$ 181.64
379XXX	nozzle ACF3000 (size)	\$ 86.80
<b>Total Amount Recommended Spare Parts</b>		<b>\$ 283.14</b>

KREMLIN SAMES Xcite Airmix Gun		
Part #	Description	List Price ea.
129-729-912	SEAL,FRONT,XCITE SEAT,PK OF 5	\$ 72.75
150-040-329	SEAL,QTY 10	\$ 64.50
129-729-913	SEAL,REAR,XCITE SEAT,QTY 10	\$ 48.85
129-729-905	SEAT,INSERT,XCITE120,S/S,QTY 2	\$ 103.10
129-529-903	SEAL,TIP,QTY 10	\$ 47.90
132-720-020	AIRCAP,VX24 HVLP	\$ 162.20
134-XXX-XXX	Tip, Airmix XX/XXX	\$ 106.00
<b>Total Amount Recommended Spare Parts</b>		<b>\$ 605.30</b>

**RBF Machine Services, INC**

561 Norwood Rd, Columbia, Pa 17512

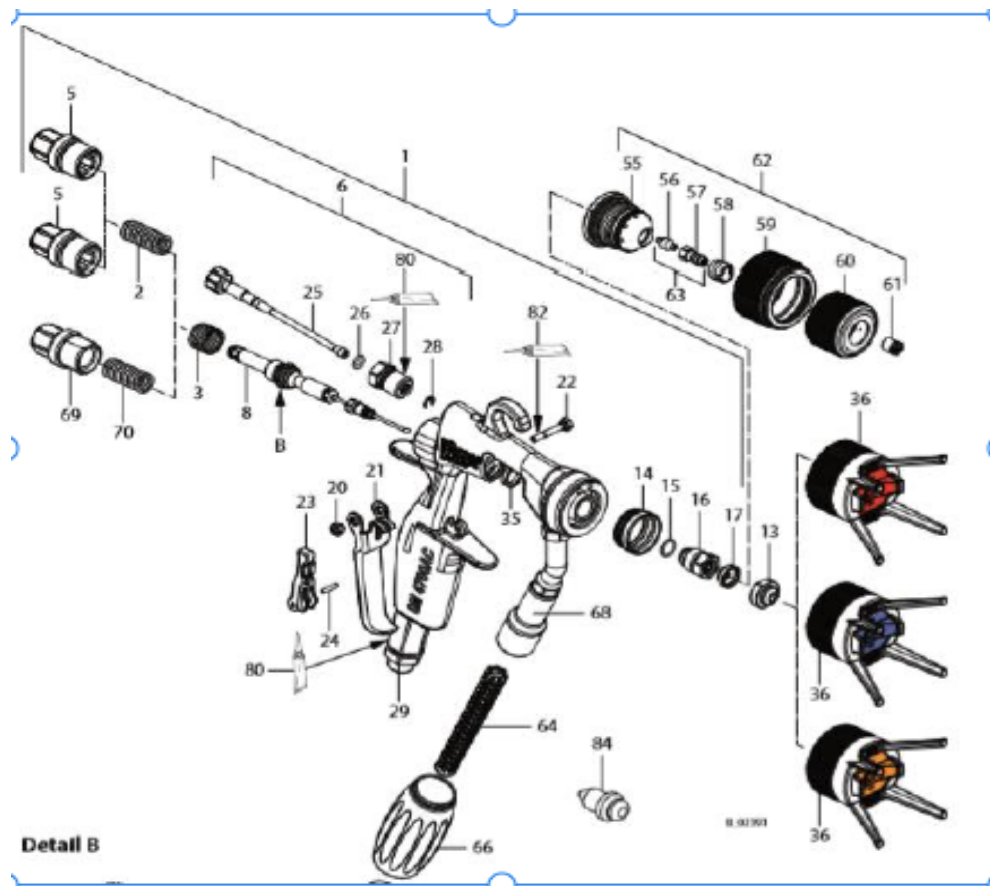
Call or Text -717-803-6448

steve@rbfmachineservices.com

## About Wagner GM 4700

Notice the Front of the Wagner GM4700 Aircoat Gun Set up. For this we will focus on the Front of the Gun. The GM4700 does not have a Traditional Fluid nozzle as our competitors do.

Image labeled #14 & #17 are the Sealing ring and the Nozzle Seal which are the ones that when damaged or not cleaned properly can cause Spray Pattern Distortion. We shall compare this pricing with our competitors. This are parts Beside the Typical Aircap and Tip that are recommended people keep on hand as to not have a stop in production in the paint operation of their facility.



**RBF Machine Services, INC**

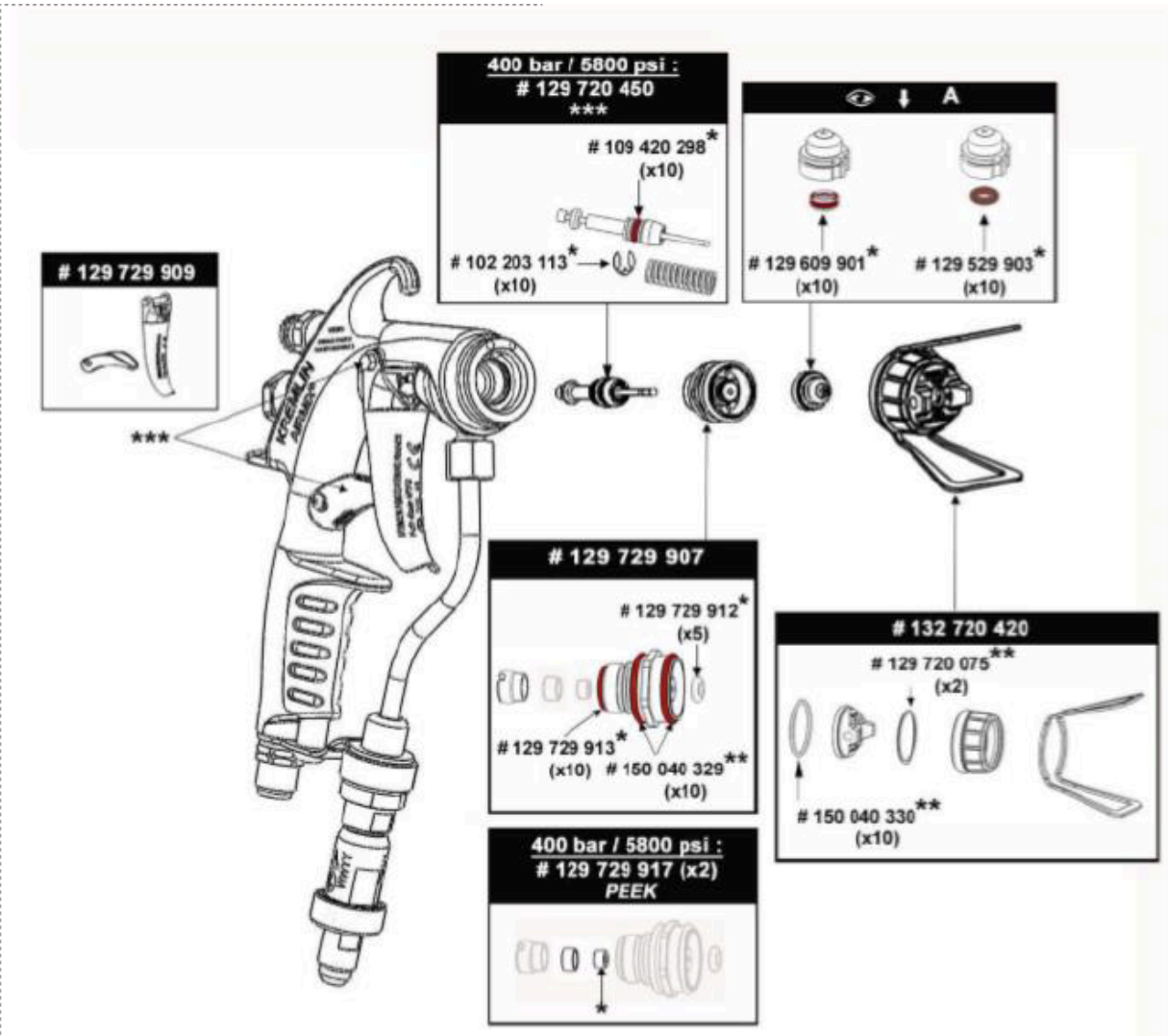
561 Norwood Rd, Columbia, Pa 17512

Call or Text -717-803-6448

steve@rbfmachineservices.com

# RBF MACHINE SERVICES

## About Kremlin Sames Xcite



**RBF Machine Services, INC**

561 Norwood Rd, Columbia, Pa 17512

Call or Text -717-803-6448

steve@rbfmachineservices.com



## Final Comparison

	Price	Replacement part cost
Wagner GM 4700	\$943.02	\$283.14
Kremlin Xcite	\$1,045.00	\$605.30

You do the math

**RBF Machine Services, INC**

561 Norwood Rd, Columbia, Pa 17512

Call or Text -717-803-6448

[steve@rbfmachineservices.com](mailto:steve@rbfmachineservices.com)