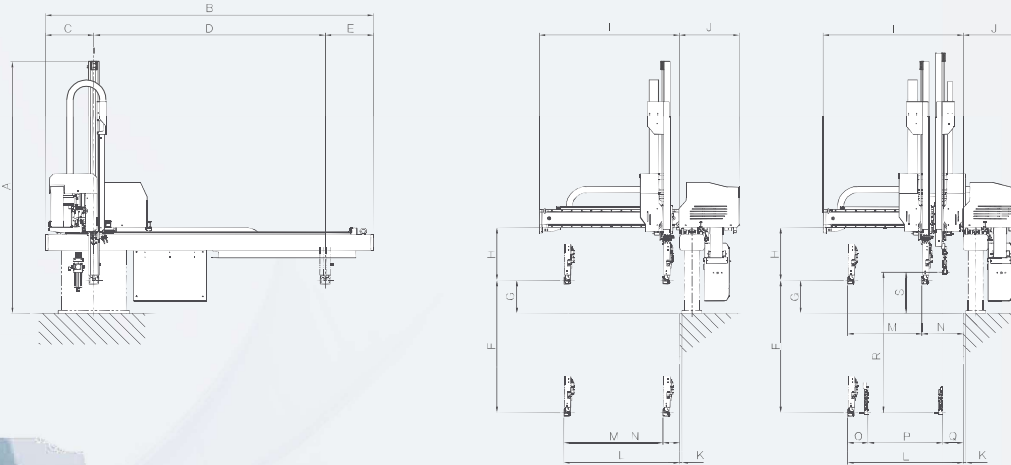
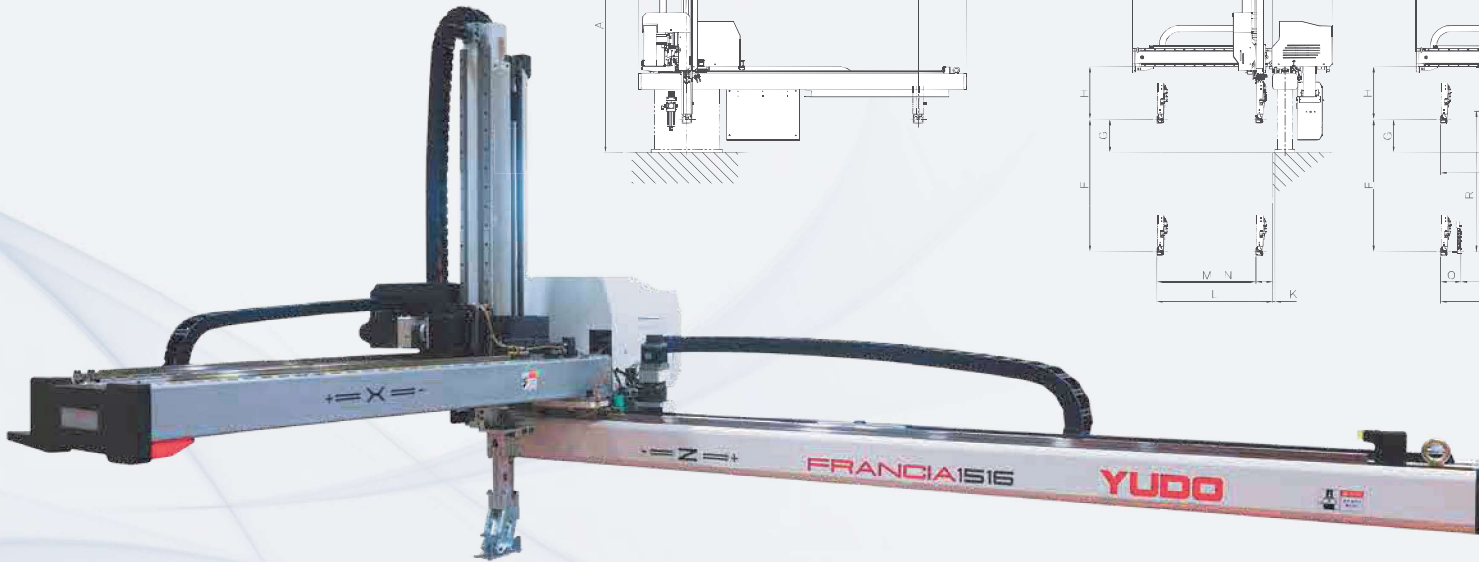


FRANCIA

Excellent Performance take-out robot for any sized machines



- ▶ I.M.M (ton) 80 ~ 3,000 (Horizontal I.M.M)
- ▶ Traverse (mm) 1,400 / 1,600 / 2,000 / 2,300 / 2,500 / 3,500 / 4,000
- ▶ Vertical (mm) 800 / 900 / 1,000 / 1,300 / 1,600 / 1,800 / 2,000 / 2,500 (Non-Telescopic arm, Telescopic arm)
- ▶ Driving method All axes AC Servo
- ▶ Payload (Kg) 3 / 5 / 10 / 15 / 25 / 35 / 50 (Including weight of chuck unit)
- ▶ Power source AC 220V, 50/60 Hz

YUCON-800 Controller

- 8 inch TFT Touch Screen (16,70million color)
- Preferred languages : Basic supporting 5 languages (Responding to all languages in the world as an option)



Model	Crosswise (X-axis)		Vertical (Y-axis)		Traverse (Z-axis)		Air consumption (ℓ/Cycle(ANR))	Power consumption (kVA)	Payload (Kg)
	Stroke (mm)	Speed (m/s)	Stroke (mm)	Speed (m/s)	Stroke (mm)	Speed (m/s)			
FRANCIA-308i	600		800				4.6	1.5 (1e220V)	3
FRANCIA-308is	⌀450 @450	1.0	⌀800 @850	3.0	1,400	1.5	4.7	2.2 (1e220V)	
FRANCIA-509	630		900				4.8	1.5 (1e220V)	5
FRANCIA-509s	⌀520 @520	1.0	⌀900 @950	3.0	1,600	1.5	4.9	2.2 (1e220V)	
FRANCIA-509i	650		900				4.8	1.5 (1e220V)	5
FRANCIA-509is	⌀580 @580	1.0	⌀900 @950	3.0	1,600	1.5	4.9	2.2 (1e220V)	
FRANCIA-510	730		1,000				4.8	1.5 (1e220V)	5
FRANCIA-510s	⌀620 @620	1.0	⌀1,000 @1,050	3.0	1,600	1.5	4.9	2.2 (1e220V)	
FRANCIA-510i	750		1,000				4.8	1.5 (1e220V)	5
FRANCIA-510is	⌀680 @680	1.0	⌀1,000 @1,050	3.0	1,600	1.5	4.9	2.2 (1e220V)	
FRANCIA-809i	830		900				4.6	1.9 (1e220V)	8
FRANCIA-809is	⌀670 @670	1.0	⌀900 @950	3.0	1,600	1.4	4.7	2.5 (1e220V)	
FRANCIA-1013	980		1,300				4.9	1.9 (1e220V)	10
FRANCIA-1013s	⌀810 @810	1.0	⌀1,300 @1,350	3.0	2,000	1.4	5.0	2.5 (1e220V)	
FRANCIA-1013i	980		1,300				4.9	1.9 (1e220V)	10
FRANCIA-1013is	⌀810 @810	1.0	⌀1,300 @1,350	3.0	2,000	1.4	5.0	2.5 (1e220V)	
FRANCIA-1516	1,240		1,600				16.5	2.4 (1e220V)	15
FRANCIA-1516s	⌀1,040 @1,040	1.0	⌀1,600 @1,650	2.4	2,300	1.2	17.2	3.0 (1e220V)	
FRANCIA-1516i	1,265		1,600				4.9	2.4 (1e220V)	15
FRANCIA-1516is	⌀1,040 @1,040	1.0	⌀1,600 @1,650	2.4	2,300	1.2	5.0	3.0 (1e220V)	
FRANCIA-2518	1,700		1,800				48.1	3.4 (3e220V)	25
FRANCIA-2518s	⌀1,430 @1,430	1.0	⌀1,800 @1,850	2.4	2,500	1.1	55.2	4.8 (3e220V)	
FRANCIA-3520	1,700		2,000				65.5	4.5 (3e220V)	35
FRANCIA-3520s	⌀1,430 @1,430	1.0	2,500	2.4	4,000	1.0	80	5.8 (3e220V)	50

• ⌀ Product side Ⓢ Runner side

Model	Outer dimension (mm)																		
	A	B	C	D	E	F	G	H	I	J	K	L	M	N	O	P	Q	R	S
FRANCIA-308i	1,524																		
FRANCIA-308is	1,574	1,986	293	1,400	293	800	200	320	858	364	50	650	600	50	-	-	-	-	-
FRANCIA-509	1,273																		
FRANCIA-509s	1,273	2,504	490	1,600	414	900	200	304	1,008	482	50	770	520	250	165	520	85	950	250
FRANCIA-509i	1,683																		
FRANCIA-509is	1,733	2,504	407	1,600	497	900	200	304	1,008	482	50	790	650	140	-	-	-	-	-
FRANCIA-510	1,323																		
FRANCIA-510s	1,323	2,504	490	1,600	414	1,000	200	304	1,108	482	50	870	620	250	165	620	85	1,050	250
FRANCIA-510i	1,783																		
FRANCIA-510is	1,833	2,504	407	1,600	497	1,000	200	304	1,108	482	50	890	750	140	-	-	-	-	-
FRANCIA-809i	1,779																		
FRANCIA-809is	1,829	2,504	428	1,600	476	900	200	328	1,233	504	50	966	670	286	176	670	110	950	250
FRANCIA-1013	1,598																		
FRANCIA-1013s	1,618	2,785	431	2,000	353	1,300	193	400	1,341	619	50	1,091	980	111	-	-	-	-	-
FRANCIA-1013i	2,240																		
FRANCIA-1013is	2,290	2,785	377	2,000	408	1,300	200	400	1,341	615	50	1,100	810	120	-	-	-	-	-
FRANCIA-1516	2,067																		
FRANCIA-1516s	2,090	3,340	462	2,300	578	1,600	300	483	1,782	586	50	1,430	1,230	192	-	-	-	-	-
FRANCIA-1516i	2,796																		
FRANCIA-1516is	2,818	3,340	462.5	2,300	577.5	1,600	300	484	1,678.5	546.5	50	1,482	1,265	217	-	-	-	-	-
FRANCIA-2518	2,608																		
FRANCIA-2518s	2,608	4,055	1,004	2,500	551	1,800	600	572	1,927	644	100	2,131	1,700	227	-	-	-	-	-
FRANCIA-3520	2,772	5,092	1,021	3,500	571	2,000	500	698	2,422	741	100	2,070	1,430	512	402	1,430	110	1,850	660
FRANCIA-5025	3,145	5,864	1,101	4,000	763	2,500	500	768	2,655	682	100	2,259	1,700	563	-	-	-	-	-