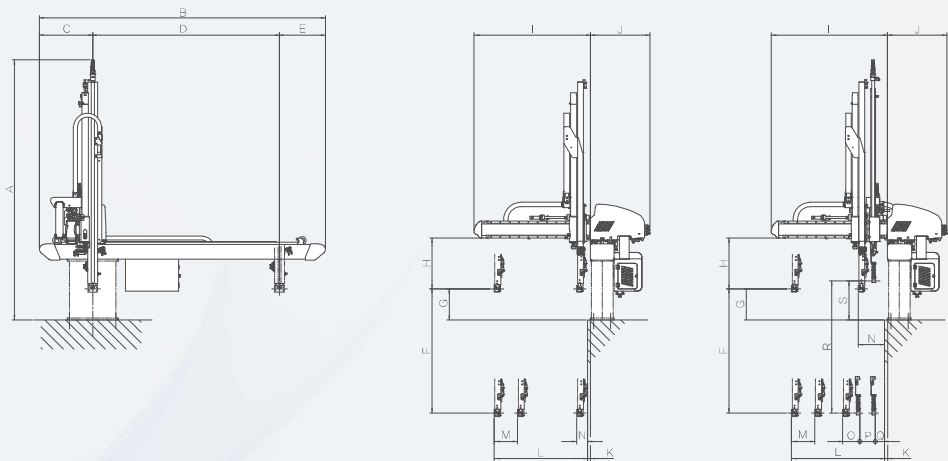
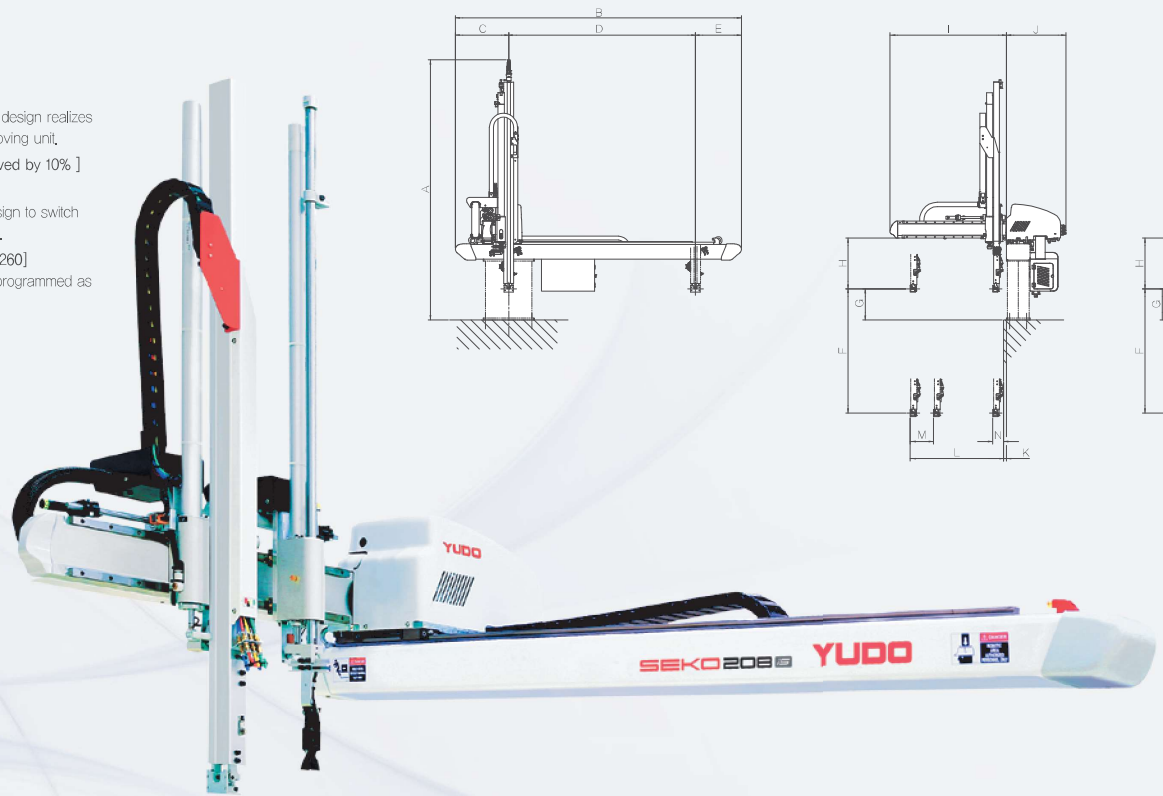


Features

- **Optimized design**
 - Light weight : Optimized design realizes 13% lighter weight on moving unit.
 - [Traverse speed improved by 10%]
- **Low Maintenance**
 - Easy setup : Easier design to switch the direction of traverse.
- **New controller [YUCON-260]**
 - Various sequences preprogrammed as standard.



- ▶ **I.M.M (ton)** 80 ~ 350 (Horizontal I.M.M)
- ▶ **Traverse (mm)** 1,200 / 1,600
- ▶ **Vertical (mm)** 800 / 900 / 1,000 (Non-Telescopic arm, Telescopic arm)
- ▶ **Driving method** Vertical, Crosswise : Air Cylinder
Traverse : AC Servo
- ▶ **Payload (Kg)** 2 / 5 (Including weight of chuck unit)
- ▶ **Power source** AC 220V, 50/60 Hz

YUCON-260 Controller

- 320x240 high-resolution Color TFT LCD (65536 Color)
- Preferred languages : Korean / English / Chinese / Spanish



Model	Crosswise (X-axis)	Vertical (Y-axis)	Traverse (Z-axis)	Air consumption (L/Cycle/ANR)	Power consumption (KVA)	Payload (Kg)
	Stroke (mm)	Stroke (mm)	Stroke (mm)			
SEKO-208i	150	800	1,200	12	0.8	2
SEKO-208is	Ⓟ150, Ⓡ100	Ⓟ800, Ⓡ850	1,200	20	0.8	2
SEKO-509	200	900	1,600	23	0.8	5
SEKO-509s	Ⓟ200, Ⓡ100	Ⓟ900, Ⓡ950	1,600	31	0.8	5
SEKO-510	200	1,000	1,600	38	0.8	5
SEKO-510s	Ⓟ200, Ⓡ100	Ⓟ1,000, Ⓡ1,050	1,600	46	0.8	5

* Ⓟ Product side Ⓡ Runner side

Model	Outer dimension (mm)																		
	A	B	C	D	E	F	G	H	I	J	K	L	M	N	O	P	Q	R	S
SEKO-208i	1,542	1,838	343	1,200	295	800	200	325	747	383	20	600	150	70	-	-	-	-	-
SEKO-208is	1,671	1,838	343	1,200	295	800	200	325	747	383	20	600	150	170	110	100	60	850	250
SEKO-509	1,373	2,675	582	1,600	493	900	200	335	1,004	489	50	760	200	56	-	-	-	-	-
SEKO-509s	1,373	2,675	582	1,600	493	900	200	335	1,004	489	50	760	200	222	137	100	50	950	250
SEKO-510	1,423	2,675	582	1,600	493	1,000	200	335	1,104	489	50	860	200	56	-	-	-	-	-
SEKO-510s	1,423	2,675	582	1,600	493	1,000	200	335	1,104	489	50	860	200	222	137	100	50	950	250

* A, G, K is just standard height and can be various based on sub-base height.