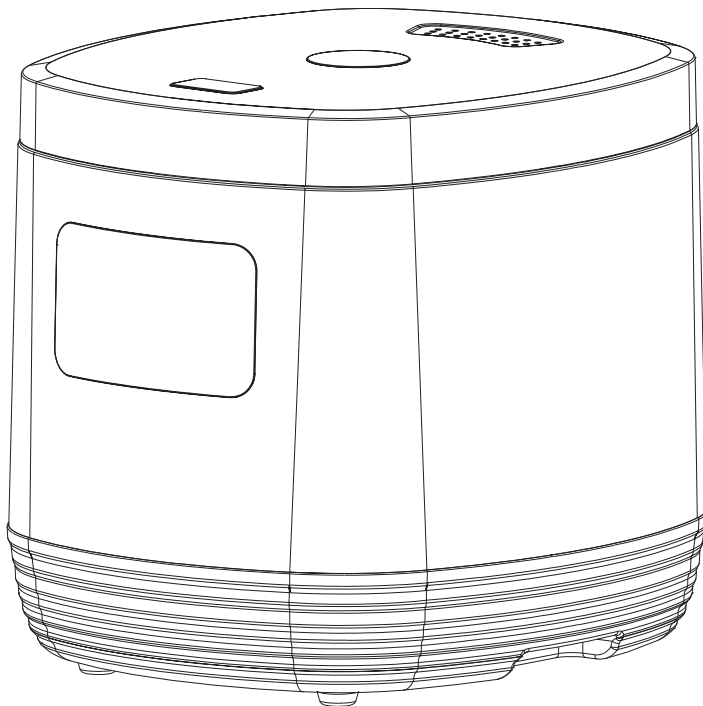




TRUEWASH THE TOTAL CLEAN MACHINE

TRUE WASH® is a registered trademark of
Supply Chain Sources LLC., All Rights Reserved.

Customer number:
TW988
TW988BLK
TW988RED



ATTACH YOUR RECEIPT HERE

Purchase Date _____ Serial Number (located on back of unit) _____

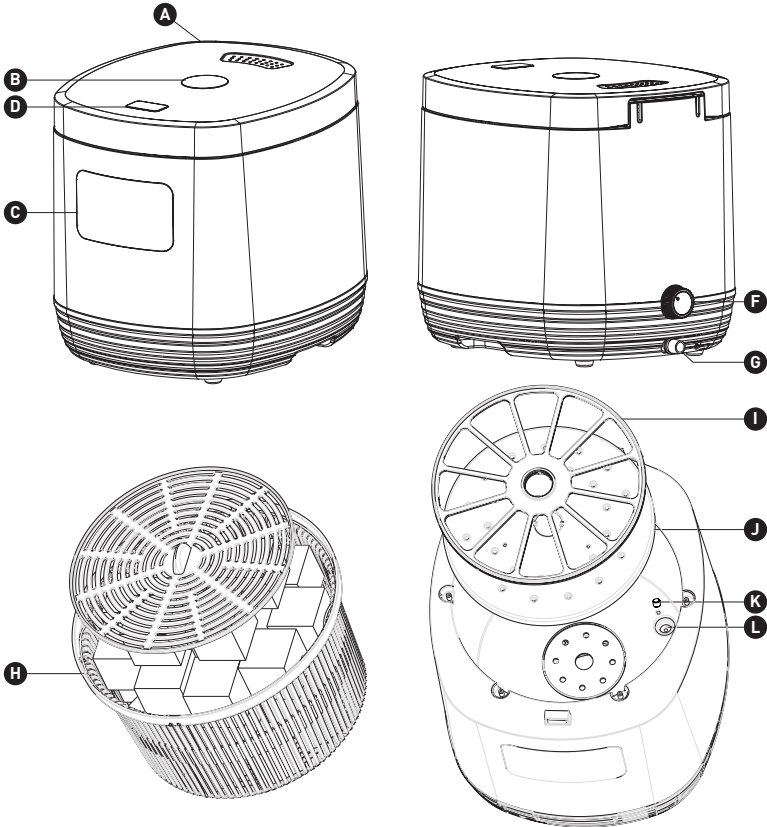


Questions, problems, missing parts? Contact technical support department at
657-341-0362, 9:00 a.m. - 5 p.m., PST, Monday - Friday or visit our website at
www.mytruewash.com
Please have your model and serial number ready

TABLE OF CONTENTS

Package Contents	3
Safety Information	4
Frequently Asked Questions	6
Preparation	8
Troubleshooting	8
Control Panel	8
Operating Modes	9
Operating Instructions	10
Care and Maintenance	12
One-Year Limited Warranty	13

PACKAGE CONTENTS



PART	DESCRIPTION
A	TrueWash Machine
B	Viewing Window
C	Control Panel
D	Lid Open / Close Button
F	Water Release / Lock Dial
G	Water Release Valve
H	Washing Basket and Ice Lid (pre-assembled to Unit (A))
I	Particle Filter (pre-assembled to Unit (A))
J	Drain Cover (pre-assembled to Unit (A))
K	Water Drain Filter (pre-assembled to Unit (A))
L	Water Drain (pre-assembled to Unit (A))
M	Drain Hose and Water Measuring Cup (Not Shown)

⚠ SAFETY INFORMATION

Please read and understand this entire manual before attempting to assemble, operate, or install the product.

IMPORTANT SAFETY INSTRUCTIONS RETAIN FOR FUTURE REFERENCE, READ CAREFULLY

⚠ WARNING: POTENTIAL ELECTRICAL HAZARD IF NOT ADHERED TO. When using electrical appliances, basic precautions should always be followed to reduce the risk of fire, electric shock, and injury to persons, including the following:

⚠ WARNING: When using electric appliances, basic precautions should always be followed, including the following:

--- To disconnect, remove plug from outlet.

--- Unplug from outlet when not in use and before servicing or cleaning.

--- To reduce the risk of electrical shock, do not put appliance in water or other liquid.

CAUTION: To reduce the risk of injury from moving parts, unplug before servicing.

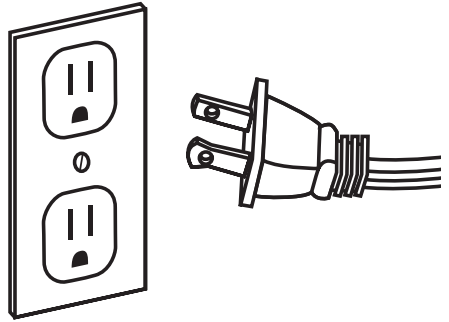
⚠ WARNING: Risk of Electric Shock.

- Always turn unit off and disconnect plug before servicing or cleaning.
- Do not position the unit near heat, gas, oil or other flammable materials.
- Place product out of reach from children.
- Never operate this product if it has a damaged cord or plug, if it is not working properly, if it has been dropped or damaged, or if it has been dropped into water.
- The electrical adapter provided with this product is equipped with a 2-conductor cord and a 2-prong polarized plug as a safety feature. This plug will fit in a polarized outlet only one way. If the plug does not fully fit in the outlet, then reverse the plug. If it still does not fit, then contact a qualified electrician. To reduce the risk of electrical shock, only plug into a properly installed outlet. Do not attempt to defeat this safety feature.
- Do not insert fingers or any foreign objects into the unit while it is connected to an electrical outlet.
- Collected inserts within the unit may contribute to fire, so clean inserts from the unit frequently.
- Do not clean this product with water spray. Do not place where it can fall into water, or near flammable materials.
- Do not contact moving parts.
- Do not abuse cord---never carry or hang unit by cord or yank it to disconnect from receptacle.
- Keep cord away from heat, oil, or sharp edges.
- Do not use outdoors.
- Use only extension cords that have plug and receptacles that match the product plug.
- Replace or repair damaged cords.
- Do not use the machine on desk or in hand.
- Only use attachments recommended or sold by the manufacturer.

SAVE THESE INSTRUCTIONS

⚠ SAFETY INFORMATION

⚠ WARNING: TO PREVENT ELECTRICAL SHOCK, MATCH THE WIDE BLADE OF THE PLUG TO THE WIDE SLOT OF THE RECEPTACLE AND FULLY INSERT.



⚠ WARNING: It is normal for the power cord to feel warm to the touch. However, a loose fit between the outlet and the plug may cause overheating of the plug. If this occurs, try inserting the plug into a different outlet. Contact a qualified electrician to inspect the original outlet for damage.

Specifications

Voltage Rating	120 V (60 Hz)
Power Consumption	45W
Unit Size	13.98 in. (W) x 16.34 in. (D) x 13.98 in. (H)
Unit Weight	16.20 lbs.

FREQUENTLY ASKED QUESTIONS

Please review these frequently asked questions on the next few pages prior to using your appliance.

Q. My unit emits a strange odor after each washing cycle. Why is this happening?

A. The TRUEWASH treatment is an enclosed treatment zone, but may emit a small amount of O₃ or ozone if the unit is opened before the purging cycle is interrupted after each wash. Typically the unit purges at the end of the cycle before the lid is opened. An integrated activated carbon filter prevents O₃ from being emitted from the TRUEWASH.

Q. How many items can I fit into my True Wash?

A. The internal basket size is 9.9" Diameter x 6.2" deep. 8 liter capacity examples: 10 apples, 5 large oranges, 1 small cantaloupe.

Q. Can I use this on electronics?

A. Yes! Simply place the electronic devices you wish to sanitize into the True Wash basket and arrange the items sparingly without touching. **DO NOT ADD WATER.** Close the lid and press the POWER button followed by the ELECTRONIC items icon. This will activate the electronics sanitizing function.

Q. How many cycles can you reuse the water before replacing?

A. You can reuse the water several times for the same product group before replacing. For best results drain the water after each cycle.

Q. What is the UV Light Wavelength?

A. The TrueWash machine utilizes a germicidal UV-C lamp rated at 254nm.

Q. How effective is the UV light against germs and bacteria?

A. Testing on the system incorporated into the TrueWash demonstrated the strong antimicrobial effect of germicidal UV light, activated oxygen and water that achieved a 5 log(99.999%) reduction of E.coli 0157:H7 on romaine and iceberg lettuce. There are no known bacteria or viruses resistant to the process incorporated into the system.

Q. What is Ozone (O₃)?

A. Ozone is a molecule composed of three atoms of oxygen. Two atoms of oxygen form the basic oxygen molecule--the oxygen we breathe that is essential to life. The third oxygen atom can detach from the ozone molecule, and re-attach to molecules of other substances, thereby altering their chemical composition. It is this ability to react with other substances that helps in cleaning the produce in the True Wash Machine.

Q. Is Ozone (O₃) Safe?

A. The Food and Drug Administration (FDA) requires ozone output of indoor medical devices to be no more than 0.05 ppm. The TRUEWASH treatment is an enclosed treatment zone that does not emit O₃. The unit purges at the end of the cycle before the lid is opened. An integrated activated carbon filter prevents O₃ from being emitted from the TRUEWASH.

FREQUENTLY ASKED QUESTIONS

Q. Why are the auto cleaning modes preset?

A. These modes are designed to be effective at cleaning and sanitizing certain items quickly and efficiently. In addition to the auto modes you can also increase the set cleaning time longer for items like fruits with thicker skins, such as melons.

Q. What type of water can you fill the TrueWash with?

A. Potable cold drinking water is acceptable, while distilled is best to prevent unwanted calcium buildup.

Q. How often should I clean my True Wash Machine

A. Weekly cleaning is acceptable or as visible dirt builds up. You may need to clean the TrueWash machine more frequently if you use it more frequently. See Care and Maintenance instructions for additional cleaning steps.

Q. What types of materials are safe to use with the Ozone in water washing functions in the TrueWash Machine?

A. The TrueWash can clean or sanitize almost anything that can fit inside the basket. We have identified a small list of items that may oxidize or become discolored when cleaned too frequently over time. They are still considered safe to clean in the TrueWash Machine.

MATERIAL	TYPE	OXIDATION RATING (EFFECT)
ABS, LDPE, Polyacrylate, PVC	Plastic	B-Good
Aluminum, Brass, Bronze, Copper, Stainless Steel-304	Metal	B-Good
Polypropylene	Plastic	C-Fair
Cast Iron, Galvanized Steel	Metal	C-Fair
Nylon	Plastic	D-Poor
Magnesium, Steel, Zinc	Metal	D-Poor
Nylon	Plastic	D-Severe Effect
Nitrile, Natural Rubber	Rubber	D-Severe Effect

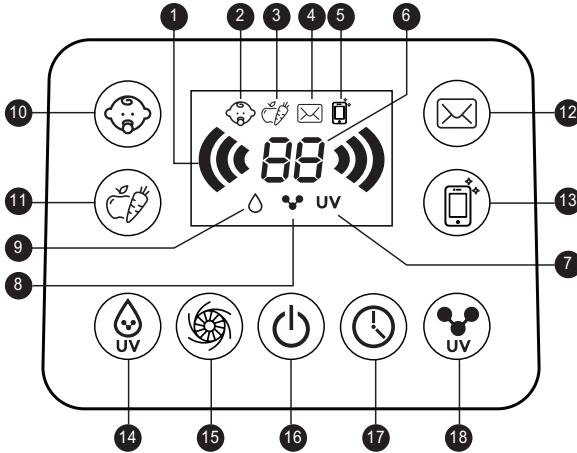
Q. How do I sanitize small grains and rice?

A. Consider placing a disposable coffee filter into the TrueWash basket and fill with grains. This will allow the small pieces not to pass through the regular filter. Disposable coffee filters can also be used to prevent debris from items being sanitized such as strawberry or raspberry seeds.

Q. How do I sanitize leafy vegetables and salad products?

A. For best results it's helpful to manually mix the greens in the basket in between cleaning cycles.

CONTROL PANEL



PART	NAME	DESCRIPTION
1	In Use Indicator Light	Indicates when the unit is operating
2	Baby Mode Indicator Light	Indicates when the baby toy/bottle auto mode is ON
3	Vegetable Mode Indicator Light	Indicates when the vegetable auto mode is ON
4	Daily Items Mode Indicator Light	Indicates when the daily items auto mode is ON
5	Electronic Items Mode Indicator Light	Indicates when the electronics auto mode is ON
6	Digital Timer Display	Displays remaining timer for unit power OFF
7	UVC Indicator Light	Indicates when the UVC lamp is ON
8	Ozone Indicator Light	Indicates when the ozone generator is ON
9	Water Spray Indicator Light	Indicates when the water sprayer is ON
10	Baby Auto Mode Button	Engages baby bottle/toy auto wash mode.
11	Vegetable Auto Mode Button	Engages vegetable auto wash mode.
12	Daily Items Auto Mode Button	Engages dry sanitizing auto mode.
13	Electronics Auto Mode Button	Engages dry sanitizing auto mode.
14	Sanitization Wash Button	Engages / Disengages sanitizing wash mode
15	Basket Spin Button	Engages / Disengages basket spin mode
16	Power Switch Button	Powers the unit ON or OFF
17	Timer Button	Increases set OFF timer value
18	Sanitization Dry Button	Engages / Disengages sanitization dry mode

OPERATING MODES



Baby, Bottles, Plastic Bottles, Plastic or Plush Toys (20fl oz Water Required)

12 minute **AUTO** cleaning **MODE**: activates spray pump + air pump + ozone generator + UV lamp + basket rotation



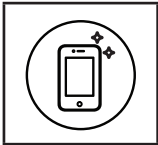
Fruits, Vegetables, Grains, Rice, Beans. (20fl oz Water Required)

20 minute **AUTO** cleaning **MODE**: activates spray pump + air pump + ozone generator + UV lamp + basket rotation.



Everyday Items or Other Accessories

10 minute **AUTO** cleaning **MODE**: activates air pump + ozone generator + UV lamp + basket rotation



Electronics

7 minute **AUTO** cleaning **MODE**: UV lamp + basket rotation.



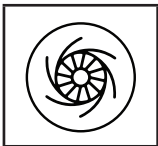
Washing Sanitation Manual Mode (20fl oz Water Required)

10 minute **Manual** cleaning **MODE**: activates spray pump + air pump + ozone generator + UV lamp + basket rotation. This mode can be extend to 30 minutes using the **Timer Button**.



Dry Sanitation Manual Mode

10 minute **Manual** cleaning **MODE**: activates air pump + ozone generator + UV lamp + basket rotation. This mode can be extend to 30 minutes using the **Timer Button**



Basket Rotation Button

Turns the basket rotation **ON/OFF** with **Washing/Dry Sanitation Modes**.



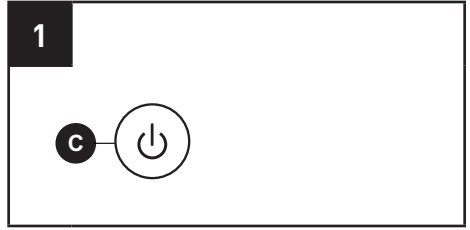
Timer Button

Use to increase timer **OFF** value with manual cleaning modes up to 30 minutes.

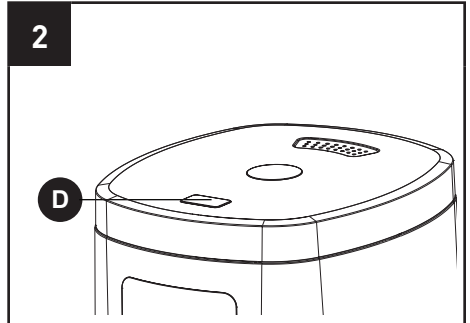
Note: For water use operating modes, it is important to use cool temperature water. If water is warm you can add ice cubes to the bottom of the basket.

OPERATING INSTRUCTIONS

1. Turn the True Wash on or off by pressing the Power button on the control panel (C).

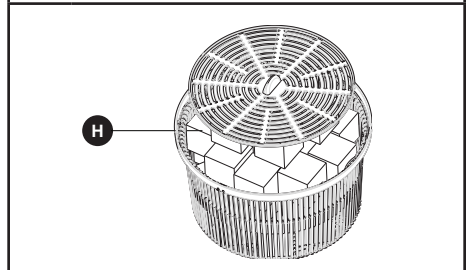


2. Open lid, by pressing on the lid button (D) and place items to be cleaned inside the basket. Place items inside the basket to be cleaned.

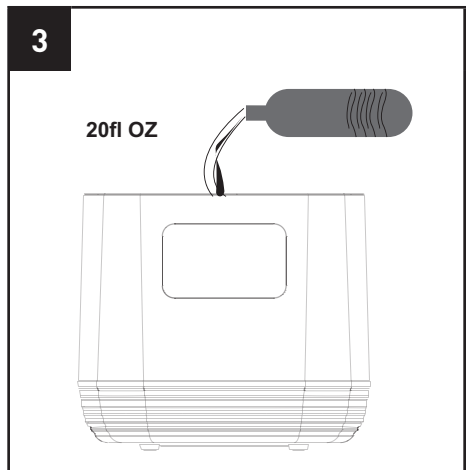


Note: If using warm water, place 1 cup ice in basket first and cover with basket lid before placing in items.

Note: To help with cleanup, you can use a large coffee filter to place inside the basket before placing your items to be cleaned.



3. For wash cleaning modes that require water, pour 20fl oz of cold potable water directly into the TrueWash basket.

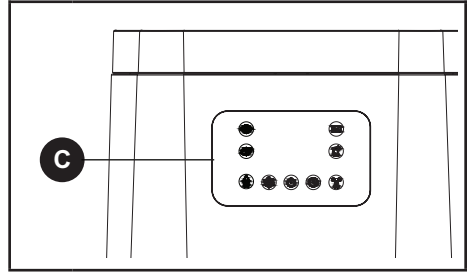
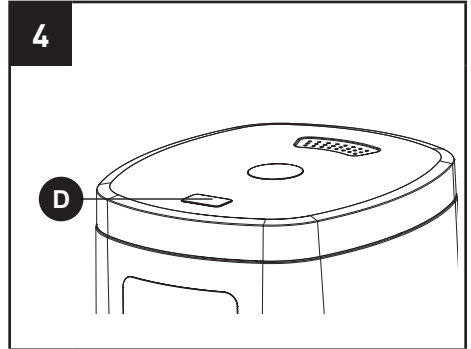


OPERATING INSTRUCTIONS

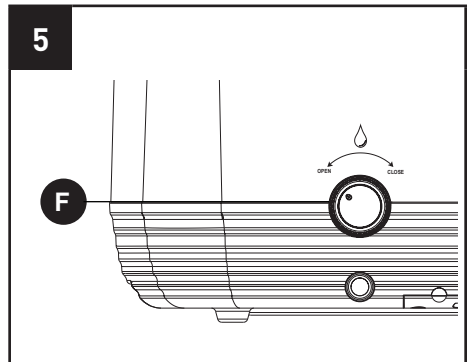
4. Close the lid (D), pressing down firmly until you hear a “CLICK” and select the desired cleaning mode, on the control panel (C). Press once to start the cleaning process.

Note: The True Wash Machine will not operate when the lid is open.

Note: DO NOT OPEN LID BEFORE FULL CLEANING CYCLE COMPLETES.



5. Empty the water inside the TrueWash machine either daily or after each cycle. Locate the water release dial (F) on the back of the unit and turn to open to drain.



CARE AND MAINTENANCE

⚠ WARNING: Before performing any maintenance task, turn off the True Wash Machine, unplug the unit.

1. To keep the appliance clean; clean the outer shell with a soft, damp cloth. Use a mild detergent if necessary. After cleaning, dry the unit with a soft cloth.

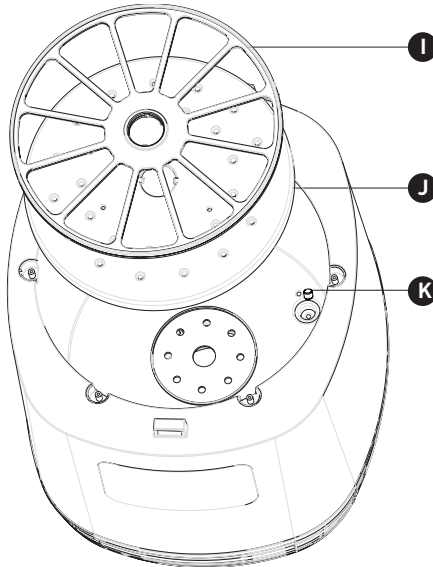
CAUTION: DO NOT let liquid enter the appliance.

2. DO NOT use alcohol, gasoline, abrasive powders, furniture polish, or rough brushes to clean the appliance. This may cause damage or deterioration to the exterior surface of the unit.
3. DO NOT immerse the appliance in water.
4. If you will not be using the appliance for a while, drain the water in the back to prevent mildewing.
5. Store the appliance in a cool, dry location when not in use. To prevent dust and dirt build-up, use the original packaging to repack the unit.

CLEANING THE TRUE WASH

1. For daily use, clean the inside of TrueWash machine either weekly by using a mild soap detergent and soft dish cloth. With the lid open, remove the item basket, then remove the particle filter (I) and drain cover (J) by rotating to align the grooves holding them in place. Lift Up. Clean the water drain filter (K) after every 10 wash cycles.
2. Once removed you can rinse the parts and clean as necessary. Wipe the inside of cover until the grooves plate to wipe the inside. Reassemble and reinstall the filters.

⚠ WARNING: Do not use the appliance without the filter assembly in place.



ONE-YEAR LIMITED WARRANTY

The manufacturer warrants this appliance against defects in materials and workmanship on functional parts, for a period of 1 year from the original date of purchase. Your sales receipt showing the date of purchase of the product is your proof of purchase. Keep it in a safe place for future reference. This warranty is subject to personal use only, commercial or rental applications will not be covered.

This product is made with the highest quality materials and is warranted to be free from defects in materials and workmanship at the time of purchase. This limited warranty applies to products manufactured or distributed by the manufacturer, are delivered in the continental United States or Canada and extends to the original purchaser, or gift recipient. This warranty becomes valid at the time of purchase and terminates either by the specified time frame listed above and/or owner transfer. Any refunds or monetary compensations must be claimed through the place of purchase (retailer), and not through the manufacturer. Any extended warranties (warranties that cover above and beyond this manufacturer warranty) that are sold through a retailer or third party, are not directly correlated with this products' limited warranty, and may be redirected to said retailer or third party for coverage.

This warranty extends through the manufacturer of the product, and covers functional parts only. Cosmetics are not covered, unless unequivocally determined it is a workmanship defect. Shipping damage should be addressed with the shipping company, retailer, or place of purchase, not the manufacturer unless the manufacturer was the direct shipper.

The manufacturer's sole obligation under this warranty shall be limited to furnishing the original purchaser replacement parts for units deemed repairable by the supplier's warranty department. The purchaser is responsible for insuring any parts shipped or returned, if desired. The purchaser is responsible to prepay any shipping charges (both ways) including, but not limited to taxes and duties. All exchanged parts and products replaced under this warranty will become the property of manufacturer. The manufacturer reserves the right to change manufacturers of replacement parts or products for use, in order to cover any existing warranty.

The purchaser may be asked to provide the supplier with proof of purchase documents (including the date of purchase) if requested. Any evidence of alteration, erasing, or forgery of proof of purchase documents will be just cause to VOID this limited warranty. Products, in which the serial number has been defaced or removed are not eligible for warranty coverage.

This warranty does not apply if the unit has been subject to negligence, fabrication, misuse, abuse, or repairs, alteration by non-manufacturer authorized personnel, inappropriate installations, or any case beyond the control of the manufacturer. Examples of warranty invalidation may also include, but are not limited to:

- Appliance placed on non-approved surfaces
- Outdoor applications
- Normal wear/tear/weathering
- Pet/consumer accidents
- Purchases from dealers unauthorized by the manufacturer (Authorization in writing)

The manufacturer shall not be liable for any loss due to use (or misuse) of the appliance or other incidental or consequential costs, expense or damages without irrefutable foundations. Under no circumstances shall the manufacturer or any of its representatives be held liable for injury to any person or damage to any property, however arising. Any implied warranty shall have duration equal of the applicable warranty stated above. Specifications are subject to change without notice or obligation.

This limited warranty gives the original purchaser specific legal rights. Other rights may vary from state to state.

PLEASE REMEMBER TO REGISTER YOUR WARRANTY:
web: www.mytruwash.com
email: cs@scsources.com

Printed in China

TRUE WASH® is a registered trademark
of Supply Chain Sources., All Rights Reserved