

Dehumidifier Consorb
DC-20 / 30 T10,T16



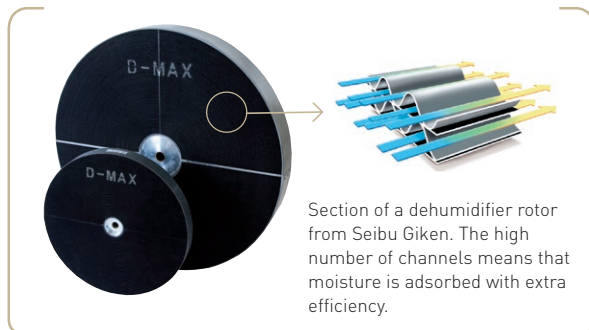
Dehumidifying capacity at 20°C / 60%RH

1,1 - 1,5 kg/h

Dry air flow

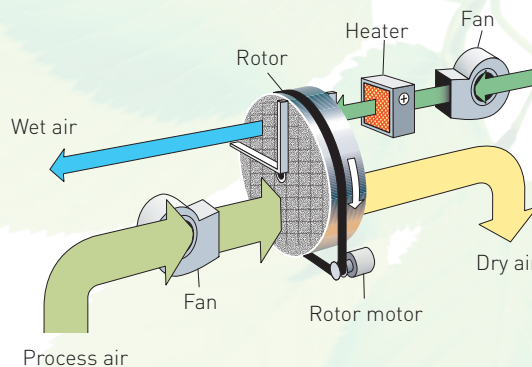
310 - 400 m³/h

- ✓ Washable rotor
- ✓ Protected control panel
- ✓ Stainless steel chassis
- ✓ Self-regulating heater
- ✓ Fold-flat handle
- ✓ Long lifetime
- ✓ Easy access to filter



TECHNICAL DATA

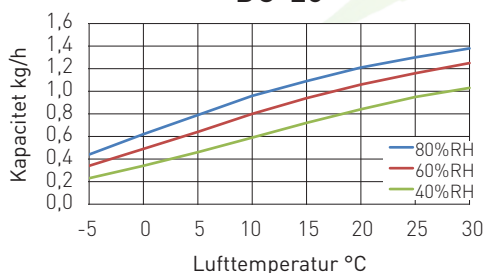
Dehumidifier model	DC-20	DC-30 T10	DC-30 T16
Nominal capacity ¹ (kg/h)	1,1	1,3	1,5
Dry air flow ² (m ³ /h)	310	400	400
Static pressure at disposal (Pa)	100	85	100
Wet air flow ² (m ³ /h)	60	90	70
Static pressure at disposal (Pa)	80	80	80
Heater current [A]	7,5	8,0	12,5
Total power (kW)	2,1	2,2	3,2
Supply fuse 230V [A]	10	10	16
Weight (kg)	31	32	32



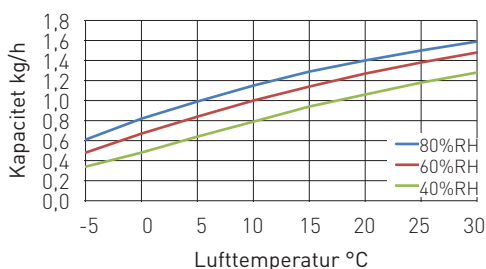
- Valid for inlet conditions 20°C/60%RH. For other inlet conditions the capacity can be calculated by using the correction factor from the diagram shown below.
- Volume flow for density 1,20 kg/m³.
- The design of the PTC heater enables the power to be regulated by controlling the wet air flow.

CORRECTION DIAGRAM

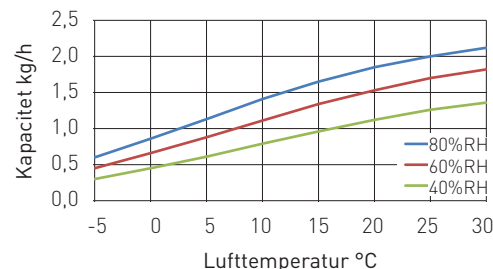
DC-20



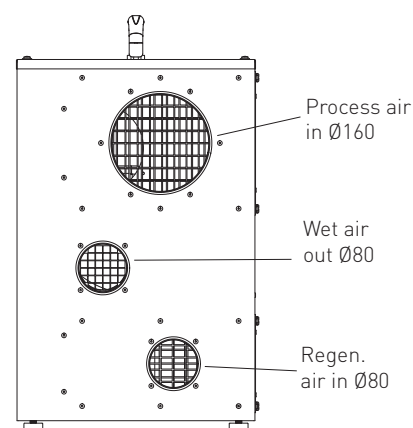
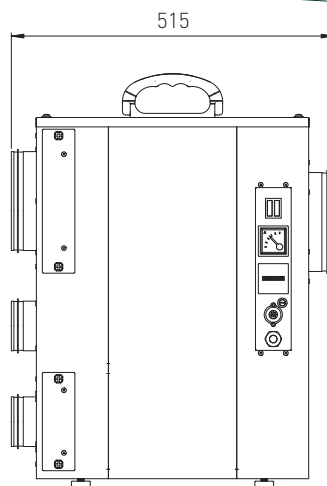
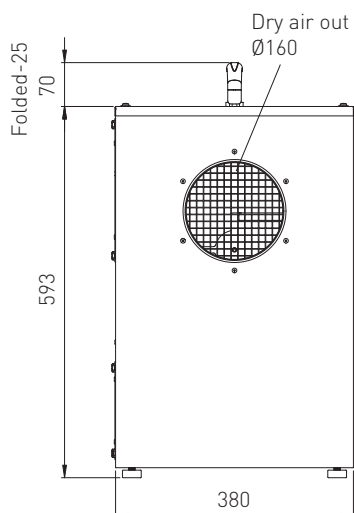
DC-30 T10



DC-30 T16



DIMENSIONS



[mm]

Subject to change without notice.

Seibu Giken DST AB

Avestagatan 33 | 163 53 Spånga, Sweden

Tel +46 8 445 77 20 | Fax +46 8 445 77 39

www.dst-sg.com | info@dst-sg.com

CONTACT US

(+52) 55 4324 7603 / 777 380 2414 / 777 420 2408

Rio Mayo 1477, Int. 11
Cuernavaca, Morelos 62290 - Mexico