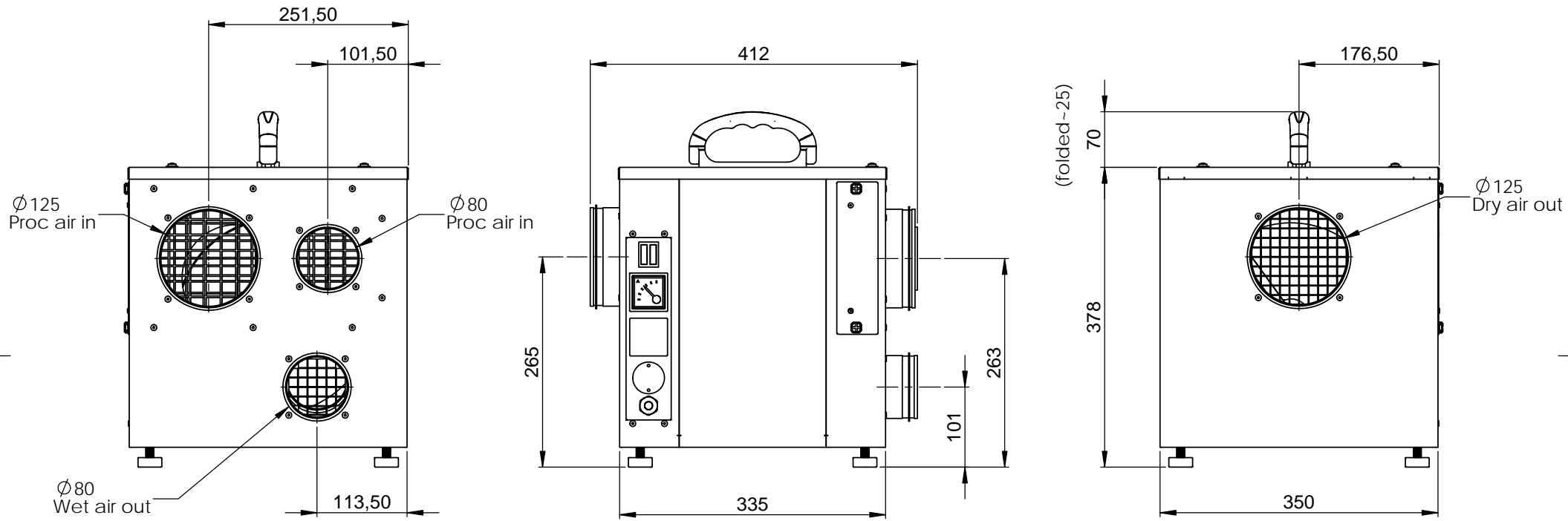


REVISIONS			
REV.	DESCRIPTION	DATE	APPROVED
01	Updated unit weight	2012-12-06	SO



CONTACT US

(+52) 55 4324 7603 / 777 380 2414 / 777 420 2408

Rio Mayo 1477, Int. 11
Cuernavaca, Morelos 62290 - Mexico



Seibu Giken DST AB
+46 8 445 77 20
www.dst-sg.com

Designed by	Stefan O		Date	2010-09-20	
Drawn by	Stefan O		Date	2010-09-20	
Approved by	-		Date	-	
Material	-		Thickness	t=	
Status	Construction		Tolerance	ISO 2768-1m	
Scale	1:5	Format	A3	Sheets/Sheet	1/4
Rev Part	01	Weight (Kg)	15 / 17		

Title/Description		
Dimensionsritning Dimension drawing DR-20B/DR-30D		
Drawing no	Rev	
DST01986	01	

This document and its contents are the exclusive property of DST Seibu Giken and must not be copied, reproduced, transmitted or communicated to any other party or used for purposes not expressly permitted by us.