



**ASTRONERGY**



# ASTRO N5s

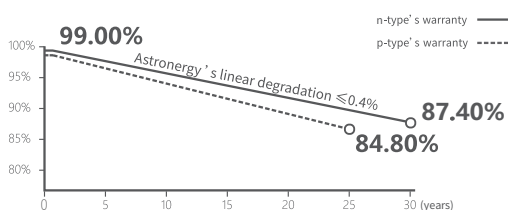
CHSM54N(BLH)-HC  
Monofacial Series

# 415W

## Warranty

**25** 25-year Product Warranty  
(special for rooftop market)

**30** 30-year Linear Power Warranty



## Key Features

- Suitable for distributed projects
- High power
- High reliability
- Easy to install and transport



**CE** ISO 9001:2015:ISO Quality Management System  
ISO 14001:2015:ISO Environment Management System  
ISO 45001:Occupational Health and Safety



**Tier 1**  
BloombergNEF



**415W**

POWER RANGE

**0~+3%**

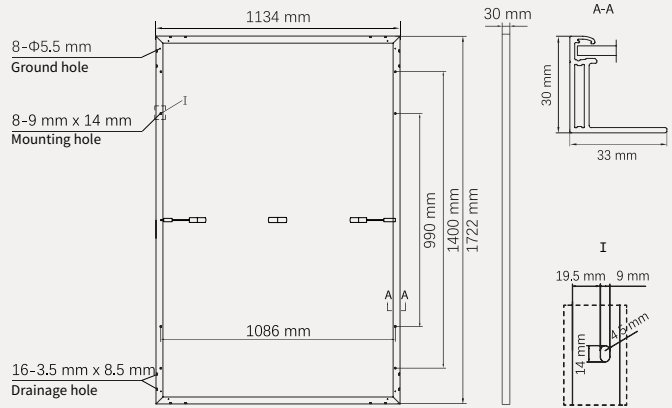
POWER SORTING

**21.3%**MAX MODULE  
EFFICIENCY**≤ 1.0%**FIRST YEAR  
POWER DEGRADATION**≤ 0.4%**YEAR 2-30  
POWER DEGRADATION

## Mechanical Specifications

Outer dimensions (L x W x H)	1722 x 1134 x 30 mm
Cell type	n-type mono-crystalline
No. of cells	108 (6*18)
Frame technology	Aluminum, black anodized
Front glass thickness	3.2 mm
Cable length (Including connector)	Portrait: (+)350 mm, (-)250 mm; Customized length
Cable diameter (IEC/UL)	4 mm <sup>2</sup> / 12 AWG
① Maximum mechanical test load	5400 Pa (front) / 2400 Pa (back)
Connector type (IEC/UL)	PV-HCB40 (Astronergy) or PV-KST4-EVO2A/ xy, PV-KBT4-EVO2A/xy (Stäubli)
Module weight	21.3 kg
Packing unit	36 pcs / box
Weight of packing unit (for 40'HQ container)	811 kg
Modules per 40' HQ container	936 pcs (Subject to sales contract)

① Refer to Astronergy crystalline installation manual or contact technical department.  
Maximum Mechanical Test Load=1.5×Maximum Mechanical Design Load.



## Electrical Specifications CHSM54N(BLH)-HC-XXX(XXX=415)

**STC:** Irradiance 1000W/m<sup>2</sup>, Cell Temperature 25° C, AM=1.5

Rated output (Pmpp / Wp)	415
Rated voltage (Vmpp / V)	31.76
Rated current (Impp / A)	13.06
Open circuit voltage (Voc / V)	37.80
Short circuit current (Isc / A)	13.76
Module efficiency	21.3%

**NMOT:** Irradiance 800W/m<sup>2</sup>, Ambient Temperature 20° C, AM=1.5, Wind Speed 1m/s

Rated output (Pmpp / Wp)	312.1
Rated voltage (Vmpp / V)	29.90
Rated current (Impp / A)	10.44
Open circuit voltage (Voc / V)	35.91
Short circuit current (Isc / A)	11.11

Power tolerance: +/- 3%

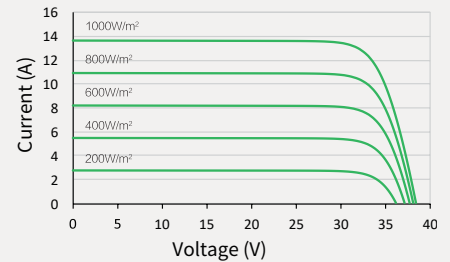
## Temperature Ratings (STC) Operating Parameters

Temperature coefficient (Pmpp)	-0.29%/°C	No. of diodes	3
Temperature coefficient (Isc)	+0.043%/°C	Junction box IP rating	IP 68
Temperature coefficient (Voc)	-0.25%/°C	Max. series fuse rating	25 A
Nominal module operating temperature (NMOT)	41±2°C	Max. system voltage (IEC/UL)	1500V <sub>DC</sub>

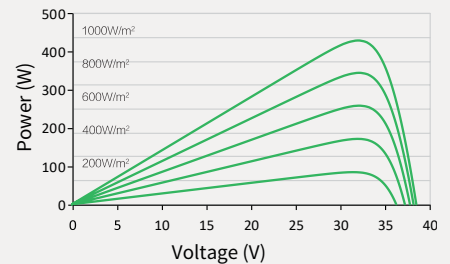
Fire performance: Class C

## Curve

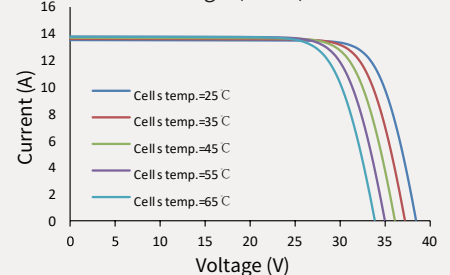
Current-Voltage (415W)



Power-Voltage (415W)



Current-Voltage (415W)



Made in China, Made in Thailand.

© Chint New Energy Technology Co., Ltd. Reserves the right of final interpretation. please contact our company to use the latest version for contract.

<http://www.astronergy.com.au>

202403