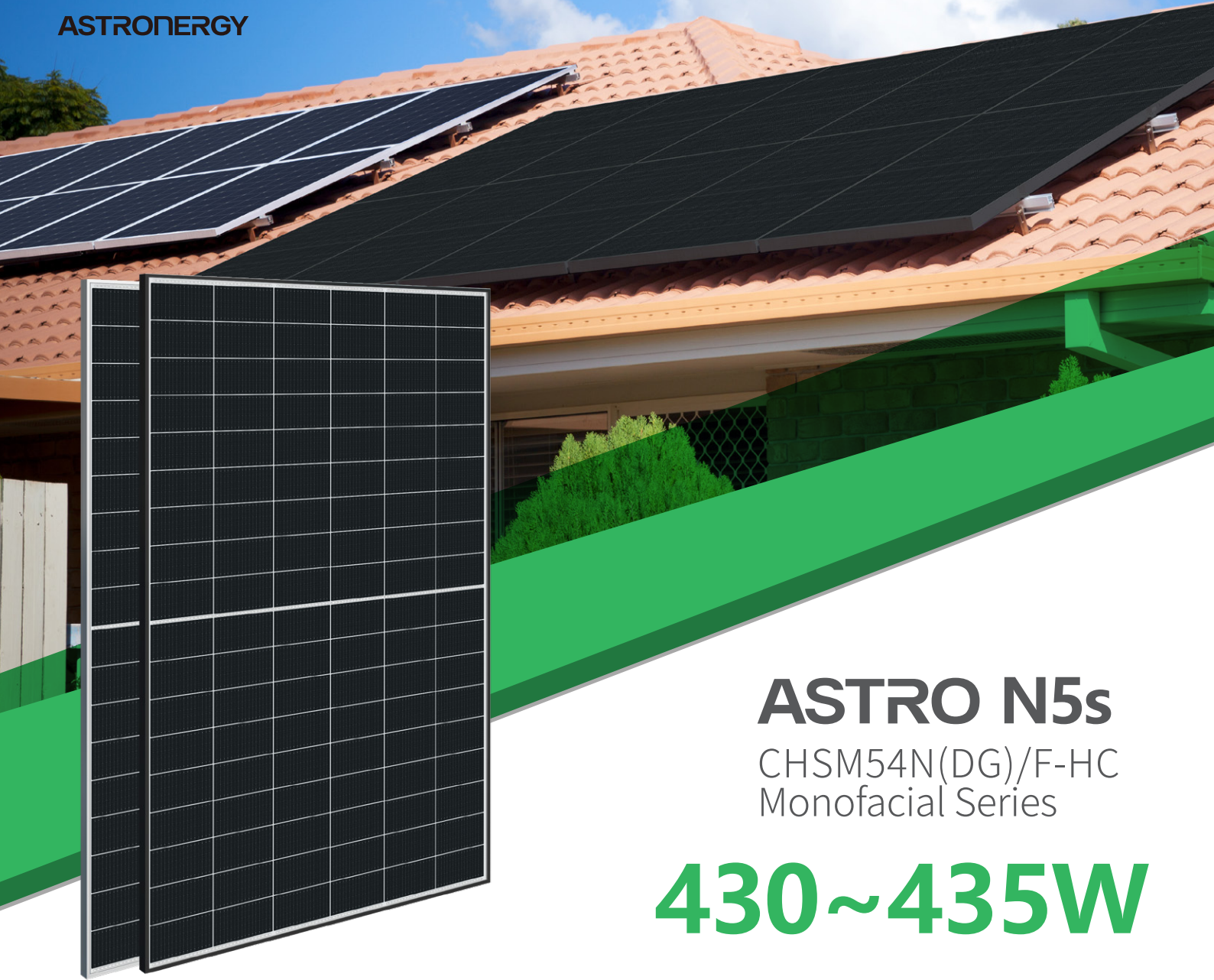




ASTRONERGY



ASTRO N5s

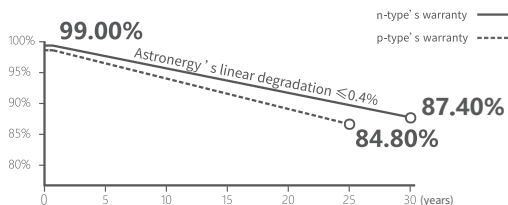
CHSM54N(DG)/F-HC
Monofacial Series

430~435W

Warranty

30 30-year Product Warranty
(special for rooftop market)

30 30-year Linear Power Warranty



Key Features

- Suitable for distributed projects
- High power
- High reliability
- Easy to install and transport



CE ISO 9001:2015:ISO Quality Management System
ISO 14001:2015:ISO Environment Management System
ISO 45001:Occupational Health and Safety

TOP PERFORMER
member of group
PVELkiwa

Tier 1
BloombergNEF

Underwritten by
International Insurer



430~435W

POWER RANGE

0~+3%

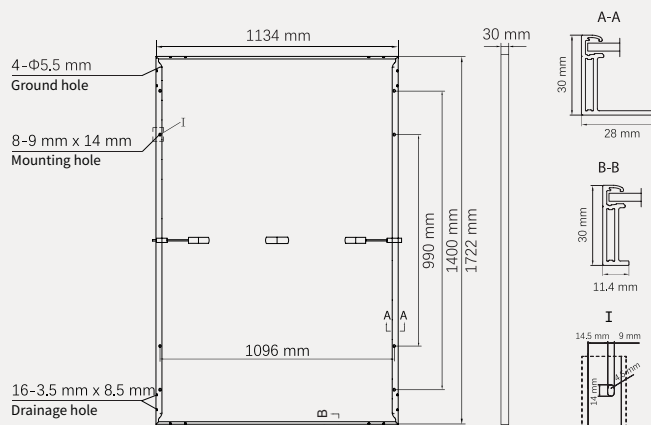
POWER SORTING

22.3%MAX MODULE
EFFICIENCY**≤ 1.0%**FIRST YEAR
POWER DEGRADATION**≤ 0.4%**YEAR 2-30
POWER DEGRADATION

Mechanical Specifications

Outer dimensions (L x W x H)	1722 x 1134 x 30 mm
Cell type	n-type mono-crystalline
No. of cells	108 (6*18)
Frame technology	Aluminum, silver anodized
Front glass thickness	1.6+1.6 mm
Cable length (Including connector)	Portrait: (+)350 mm, (-)250 mm; Customized length
Cable diameter (IEC/UL)	4 mm ² / 12 AWG
① Maximum mechanical test load	5400 Pa (front) / 2400 Pa (back)
Connector type (IEC/UL)	PV-HCB40 (Astronergy) or PV-KST4-EVO2A/ xy, PV-KBT4-EVO2A/xy (Stäubli)
Module weight	20.8 kg
Packing unit	36 pcs / box
Weight of packing unit (for 40'HQ container)	793 kg
Modules per 40' HQ container	936 pcs (Subject to sales contract)

① Refer to Astronergy crystalline installation manual or contact technical department.
Maximum Mechanical Test Load=1.5×Maximum Mechanical Design Load.



Electrical Specifications CHSM54N(DG)/F-HC-XXX(XXX=430-435)

STC: Irradiance 1000W/m², Cell Temperature 25° C, AM=1.5

Rated output (P _{mpp} / W _p)	430	435
Rated voltage (V _{mpp} / V)	32.87	32.99
Rated current (I _{mpp} / A)	13.08	13.18
Open circuit voltage (V _{oc} / V)	39.11	39.26
Short circuit current (I _{sc} / A)	13.85	13.97
Module efficiency	22.0%	22.3%

NMOT: Irradiance 800W/m², Ambient Temperature 20° C, AM=1.5, Wind Speed 1m/s

Rated output (P _{mpp} / W _p)	323.4	327.1
Rated voltage (V _{mpp} / V)	30.94	31.06
Rated current (I _{mpp} / A)	10.45	10.53
Open circuit voltage (V _{oc} / V)	37.15	37.29
Short circuit current (I _{sc} / A)	11.18	11.28

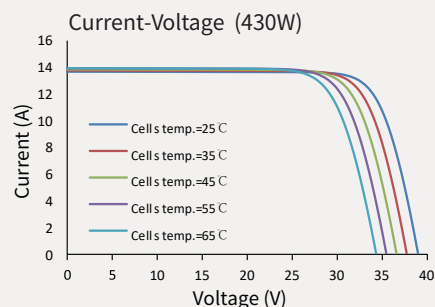
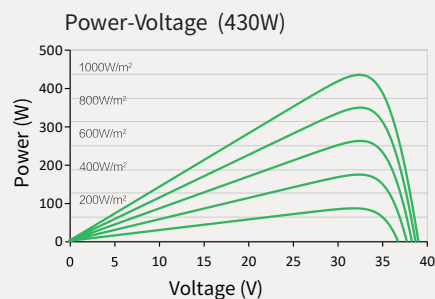
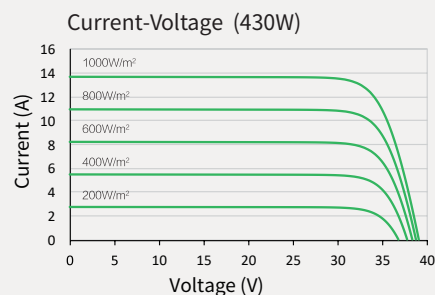
Power tolerance: +/- 3.5%

Temperature Ratings (STC) Operating Parameters

Temperature coefficient (P _{mpp})	-0.29%/°C	No. of diodes	3
Temperature coefficient (I _{sc})	+0.043%/°C	Junction box IP rating	IP 68
Temperature coefficient (V _{oc})	-0.25%/°C	Max. series fuse rating	25 A
Nominal module operating temperature (NMOT)	41±2°C	Max. system voltage (IEC/UL)	1500V _{DC}

Fire performance: Class A

Curve



Made in China, Made in Thailand.

© Chint New Energy Technology Co., Ltd. Reserves the right of final interpretation. please contact our company to use the latest version for contract.

<http://www.astronergy.com.au>

202403