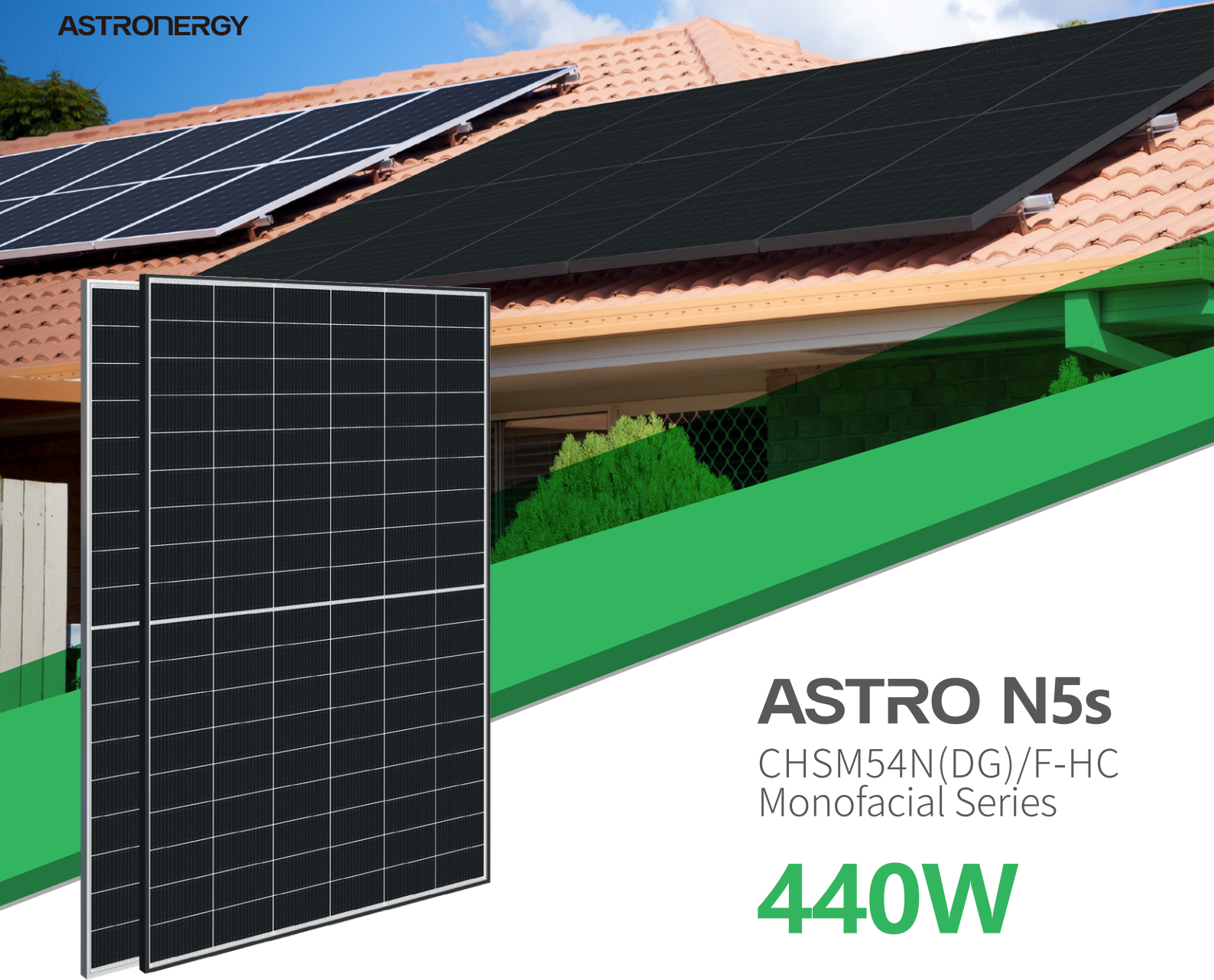




ASTRONERGY



# ASTRO N5s

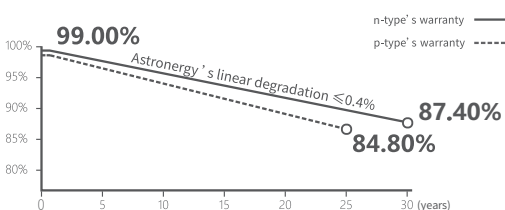
CHSM54N(DG)/F-HC  
Monofacial Series

# 440W

## Warranty

**30** 30-year Product Warranty  
(special for rooftop market)

**30** 30-year Linear Power Warranty



## Key Features

- Suitable for distributed projects
- High power
- High reliability
- Easy to install and transport



**CE** ISO 9001:2015:ISO Quality Management System  
ISO 14001:2015:ISO Environment Management System  
ISO 45001:Occupational Health and Safety

TOP PERFORMER  
member of group  
**PVELkiwa**

Tier 1  
BloombergNEF

Underwritten by  
International Insurer



**440W**

POWER RANGE

**±5W**

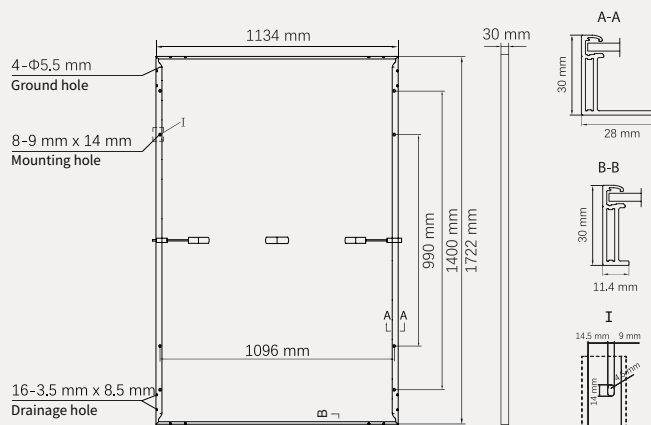
POWER SORTING

**22.5%**MAX MODULE  
EFFICIENCY**≤ 1.0%**FIRST YEAR  
POWER DEGRADATION**≤ 0.4%**YEAR 2-30  
POWER DEGRADATION

## Mechanical Specifications

Outer dimensions (L x W x H)	1722 x 1134 x 30 mm
Cell type	n-type mono-crystalline
No. of cells	108 (6*18)
Frame technology	Aluminum, silver anodized
Front glass thickness	1.6+1.6 mm
Cable length (Including connector)	Portrait: (+)350 mm, (-)250 mm; Customized length
Cable diameter (IEC/UL)	4 mm <sup>2</sup> / 12 AWG
① Maximum mechanical test load	5400 Pa (front) / 2400 Pa (back)
Connector type (IEC/UL)	PV-HCB40 (Astronergy) or PV-KST4-EVO2A/ xy, PV-KBT4-EVO2A/xy (Stäubli)
Module weight	20.8 kg
Packing unit	36 pcs / box
Weight of packing unit (for 40'HQ container)	793 kg
Modules per 40' HQ container	936 pcs (Subject to sales contract)

① Refer to Astronergy crystalline installation manual or contact technical department.  
Maximum Mechanical Test Load=1.5×Maximum Mechanical Design Load.



## Electrical Specifications CHSM54N(DG)/F-HC-XXX(XXX=440)

**STC:** Irradiance 1000W/m<sup>2</sup>, Cell Temperature 25° C, AM=1.5

Rated output (Pmpp / Wp)	440
Rated voltage (Vmpp / V)	33.12
Rated current (Impp / A)	13.29
Open circuit voltage (Voc / V)	39.41
Short circuit current (Isc / A)	14.08
Module efficiency	22.5%

**NMOT:** Irradiance 800W/m<sup>2</sup>, Ambient Temperature 20° C, AM=1.5, Wind Speed 1m/s

Rated output (Pmpp / Wp)	330.9
Rated voltage (Vmpp / V)	31.17
Rated current (Impp / A)	10.61
Open circuit voltage (Voc / V)	37.44
Short circuit current (Isc / A)	11.37

Power tolerance: +/- 3.5%

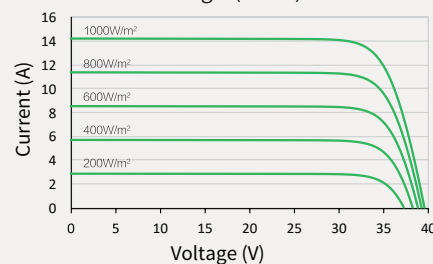
## Temperature Ratings (STC) Operating Parameters

Temperature coefficient (Pmpp)	-0.29%/°C	No. of diodes	3
Temperature coefficient (Isc)	+0.043%/°C	Junction box IP rating	IP 68
Temperature coefficient (Voc)	-0.25%/°C	Max. series fuse rating	25 A
Nominal module operating temperature (NMOT)	41±2°C	Max. system voltage (IEC/UL)	1500V <sub>DC</sub>

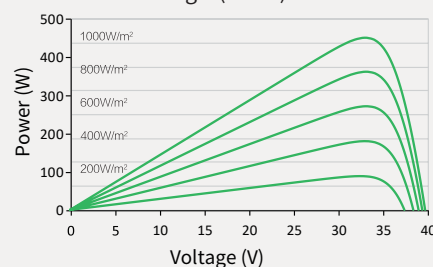
Fire performance: Class A

## Curve

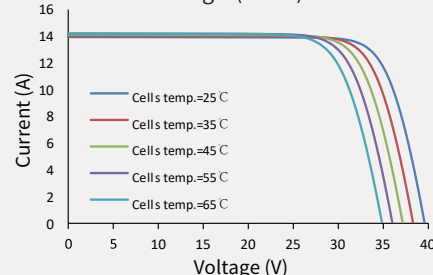
Current-Voltage (440W)



Power-Voltage (440W)



Current-Voltage (440W)



Made in China, Made in Thailand.

© Chint New Energy Technology Co., Ltd. Reserves the right of final interpretation. please contact our company to use the latest version for contract.

<http://www.astronergy.com.au>

202403