



ASTRONERGY

Special for Australian Market

ASTRO 4 Semi

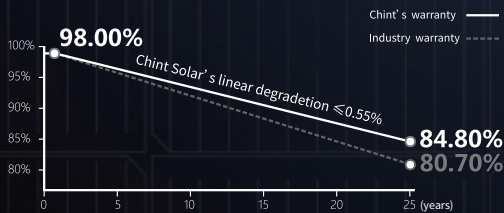
Create Sustainable and Efficient Green Energy

CHSM60M(BL)-HC Monofacial Series (166)

350W

PERC+ / Multi-busbar / Half-cut

All black



12-year Product Warranty (Standard)

15-year Product Warranty (Optional, special for rooftop market)

25-year Linear Power Warranty



ISO 9001:2015:ISO Quality Management System
ISO 14001:2015:ISO Environment Management System
ISO 45001:Occupational Health and Safety
The first solar company which passed the Nord IEC/TS 62941 certification audit.

Tier 1
BloombergNEF



350W

POWER RANGE

0~+5WPOWER
TOLERANCE**19.2%**MAX MODULE
EFFICIENCY**≤ 2.0%**FIRST YEAR
POWER DEGRADATION**≤ 0.55%**YEAR 2-25
POWER DEGRADATION

Electrical Specifications

STC: Irradiance 1000W/m², Cell Temperature 25° C, AM=1.5

Type	CHSM60M(BL)-HC-350
Rated output (Pmpp / Wp)	350
Rated voltage (Vmpp / V)	35.22
Rated current (Impp / A)	9.94
Open circuit voltage (Voc / V)	42.44
Short circuit current (Isc / A)	10.46
Module efficiency	19.2%

NMOT: Irradiance 800W/m², Ambient Temperature 20° C, AM=1.5, Wind Speed 1m/s

Rated output (Pmpp / Wp)	261.0
Rated voltage (Vmpp / V)	32.83
Rated current (Impp / A)	7.95
Open circuit voltage (Voc / V)	39.90
Short circuit current (Isc / A)	8.41

Power Sorting: 0~+5W Measurement tolerance +/- 3%

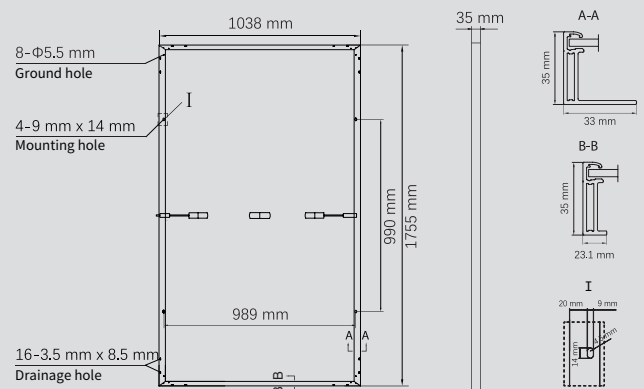
Temperature Ratings (STC)

Temperature coefficient (Pmpp)	-0.35%/°C	No. of diodes	3
Temperature coefficient (Isc)	+0.050%/°C	Junction box IP rating	IP 68
Temperature coefficient (Voc)	-0.27%/°C	Max. series fuse rating	20 A
Nominal module operating temperature (NMOT)	41±2°C	Max. system voltage (IEC/UL)	1000V _{DC}
Fire performance	Class C		

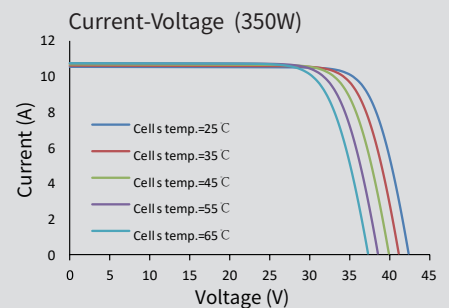
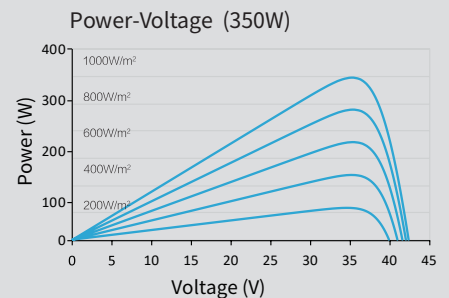
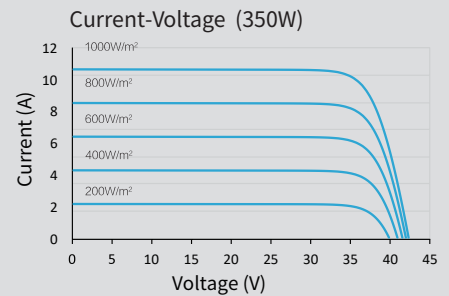
Operating Parameters

Mechanical Specifications

Outer dimensions (L x W x H)	1755 x 1038 x 35 mm
Cell Type	P type Mono-crystalline
No. of cells	120 (6*20)
Frame technology	Aluminum, black anodized
Front glass thickness	3.2 mm
Cable length (IEC/UL)	Portrait: 300 mm; Landscape: 1200 mm
Cable diameter (IEC/UL)	4 mm ² / 12 AWG
① Maximum mechanical test load	5400 Pa (front) / 2400 Pa (back)
Connector type (IEC/UL)	PV-HCB40 (Astronergy) or PV-KST4/xy-UR, PV-KBT4/xy-UR, PV-KST4-EVO2A/xy, PV-KBT4-EVO2A/xy (Stäubli)
Module weight	19.4 kg
Packing unit	31 pcs / box (Subject to sales contract)
Weight of packing unit (for 40'HQ container)	630 kg
Modules per 40' HQ container	806 pcs



Curve



① Refer to Astronergy crystalline installation manual or contact technical department.
Maximum Mechanical Test Load=1.5×Maximum Mechanical Design Load.