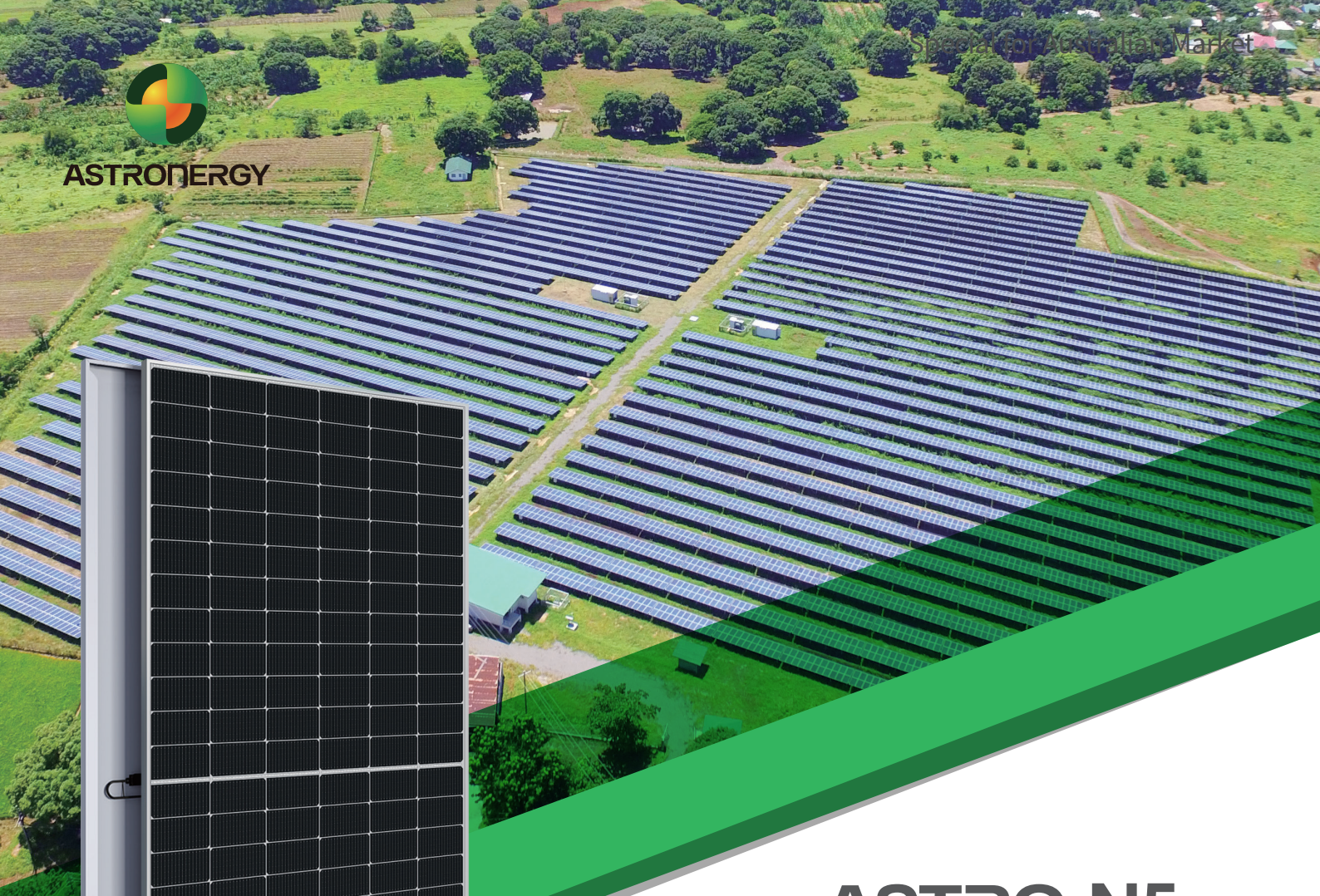




ASTRONERGY



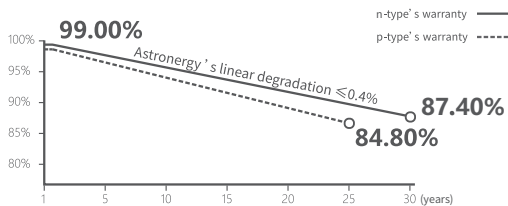
ASTRO N5

CHSM72N-HC
Monofacial Series(182)

560~580W

Warranty

- 12** 12-year Product Warranty
- 30** 30-year Linear Power Warranty



Key Features

- TOPCon / Half-cut
- Better temperature coefficient (Pmpp)
- Non-destructive cutting
- Low BOS cost & LCOE



CE ISO 9001:2015:ISO Quality Management System
 ISO 14001:2015:ISO Environment Management System
 ISO 45001:Occupational Health and Safety



Tier 1
BloombergNEF



560~580W

POWER RANGE

0~+5W

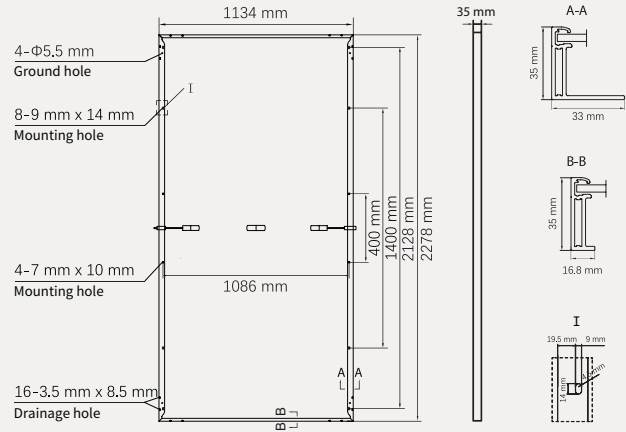
POWER SORTING

22.5%MAX MODULE
EFFICIENCY**≤ 1.0%**FIRST YEAR
POWER DEGRADATION**≤ 0.4%**YEAR 2-30
POWER DEGRADATION

Mechanical Specifications

Outer dimensions (L x W x H)	2278 x 1134 x 35 mm
Cell type	n-type mono-crystalline
No. of cells	144 (6*24)
Frame technology	Aluminum, silver anodized
Front glass thickness	3.2 mm
Cable length (Including connector)	Portrait: (+)350 mm, (-)250 mm; Customized length
Cable diameter (IEC/UL)	4 mm ² / 12 AWG
① Maximum mechanical test load	5400 Pa (front) / 2400 Pa (back)
Connector type (IEC/UL)	PV-HCB40 (Astronergy) or PV-KST4-EVO2A/ xy,PV-KBT4-EVO2A/xy (Stäubli)
Module weight	26.9 kg
Packing unit	31 pcs / box (Subject to sales contract)
Weight of packing unit (for 40'HQ container)	893 kg
Modules per 40' HQ container	620 pcs

① Refer to Astronergy crystalline installation manual or contact technical department.
Maximum Mechanical Test Load=1.5×Maximum Mechanical Design Load.



Electrical Specifications CHSM72N-HC-XXX(XXX=560-580)

STC: Irradiance 1000W/m², Cell Temperature 25° C, AM=1.5

	560	565	570	575	580
Rated output (Pmpp / Wp)	560	565	570	575	580
Rated voltage (Vmpp / V)	42.13	42.25	42.38	42.50	42.63
Rated current (Impp / A)	13.29	13.37	13.45	13.53	13.61
Open circuit voltage (Voc / V)	50.55	50.70	50.85	51.00	51.15
Short circuit current (Isc / A)	13.90	14.00	14.10	14.20	14.30
Module efficiency	21.7%	21.9%	22.1%	22.3%	22.5%

NMOT: Irradiance 800W/m², Ambient Temperature 20° C, AM=1.5, Wind Speed 1m/s

	421.1	424.9	428.6	432.4	436.2
Rated output (Pmpp / Wp)	421.1	424.9	428.6	432.4	436.2
Rated voltage (Vmpp / V)	39.65	39.77	39.89	40.00	40.12
Rated current (Impp / A)	10.62	10.68	10.75	10.81	10.87
Open circuit voltage (Voc / V)	48.02	48.16	48.30	48.44	48.59
Short circuit current (Isc / A)	11.22	11.30	11.38	11.46	11.54

Power Sorting: 0~+5W Power tolerance: +/- 3%

Temperature Ratings (STC) Operating Parameters

Temperature coefficient (Pmpp)	-0.29%/°C	No. of diodes	3
Temperature coefficient (Isc)	+0.043%/°C	Junction box IP rating	IP 68
Temperature coefficient (Voc)	-0.25%/°C	Max. series fuse rating	25 A
Nominal module operating temperature (NMOT)	41±2°C	Max. system voltage (IEC/UL)	1500V _{DC}

Fire performance: Class C

Made in China, Made in Thailand.

© Chint New Energy Technology Co., Ltd. Reserves the right of final interpretation. please contact our company to use the latest version for contract.

<http://www.astronergy.com.au>

Curve

