

EZ Aluminum Door Lift

EZTRUNK™ ASSEMBLY

MANUAL

#1900 0072

MAKE IT EZ

**Print the latest manual &
Watch the EZTRUNK Video**



**Scan QR CODE for Video &
PDF MANUALS**



Customer Service

Any question? WE ARE HERE TO HELP!

Text or Call 203-901-0055 / Call 203-591-9060









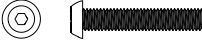










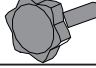



EMAIL US: SERVICE@EZTRUNK.NET

7 days a week 8:30 am EST

WE CAN HELP YOU!

PO# :

Please read instructions fully before beginning assembly

NO	Illustration	Description	Part#	QTY.
1		Sliding Frame Sliding Plates (#7201-7) pre installed (4)	7201	2
2		Side upright Frame	7202	2
3		Top Rail	7203	1
4		Middle Rail	7204	2
5		Middle Side Rail	7205	2
6		Bottom Rail	7206	2
7		Wheels Rail Wheels (#7207-3) Pre Installed (4)	7207	2
8		Door Support Panel	7208	2
9		Bolt M6x45	06452	6 + 1 extra
10		Bolt M6x70	06702	8 + 1 extra
11		Bolt M8x75	08752	8 + 1 extra
12		Lock Nut M8	10082	8+ 1 extra
13		Lock Nut M6	10062	18 + 2 extra
14		Locking Pin	08352	4
15		Thumb Turn Bolt M6	06750	4
16		Offset Nut M6	10162	4
17		Handle for Sliding Frame	10262	2
18		Metal Washer (Small)	6012	14 + 2 extra
19		Metal Washer (Large)	8012	12 + 2 extra
20		Thumb Turn Bolt	Use same bolt as tire table for next bath of production	
21		#4 Allen Wrench	#4	1
22		#5 Allen Wrench	#5	1
23		#10 & #13 Wrench	#10	1

BEFORE BEGINNING, SEE THE ASSEMBLY INSTRUCTION VIDEO ON EZTRUNK.NET

1

Top Rail #7203
X1

Middle Rail #7204
X2

Middle Side Rail #7205
Offset Hole
X2

Bottom Rail #7206
X2

Components of tubes.

2

Top Rail #7203

Middle Rail #7204

06702

6012

10062

06452

6012

Install the Top Rail and Middle Rails to sides frame. Keep the bolts snug.

3

Hole facing down

Middle Side Rail #7205

10062

6012

06702

Bottom Rail #7206

08702

10082

1808012

Install middle side rails to rail frame, NOTE: rails should have the hole facing down when bolting: use bolt M6x70 (06702), small washer (6012), and lock nut M6 (10062)-see diagram (3) Bolts should be snug, not tight.

4

10082

1808012

Install bottom side rails to frame: use bolt M8x75 (#08752), large washer (8012), and lock nut M8 (10082)-see diagram (4) Check diagonal dimensions to ensure they are equal. Tighten all bolts.

5

08702

8012

8012

10082

Diagram (5) Install Wheel Rail (7207) attach with bolt M8x75 (08752), (1) large washer (8012) on top of bar and (1) large washer below bar, secure with lock nut M8 (10082). Repeat on both sides

6

06750

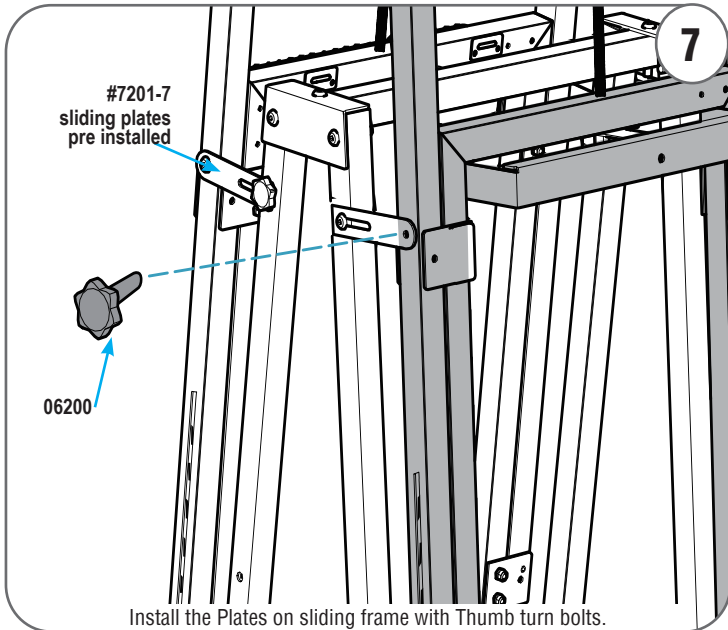
10162
hole offset side
facing out

6.1

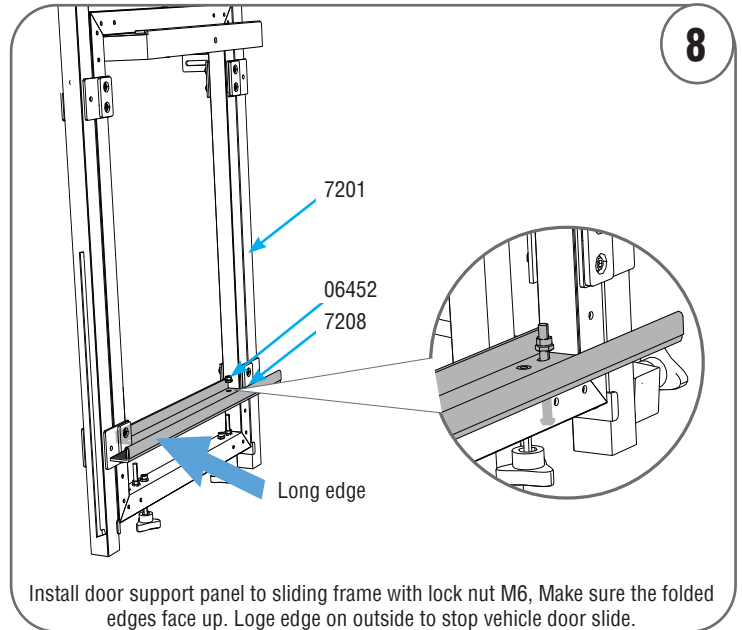
6.2

Install the Sliding Frame with Thumb Turn Bolts and Offset Nuts (left and right side). The nut on upper side for the Offset Nut (Figure 6.1). You can slide the frame when the Nut Clips are off the square tube. (Figure 6.2)

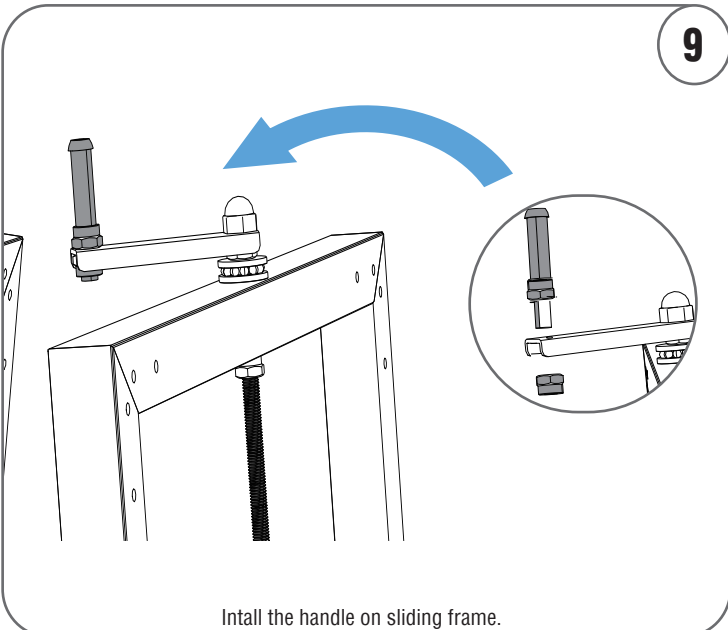
BEFORE BEGINNING, SEE THE ASSEMBLY INSTRUCTION VIDEO ON EZTRUNK.NET



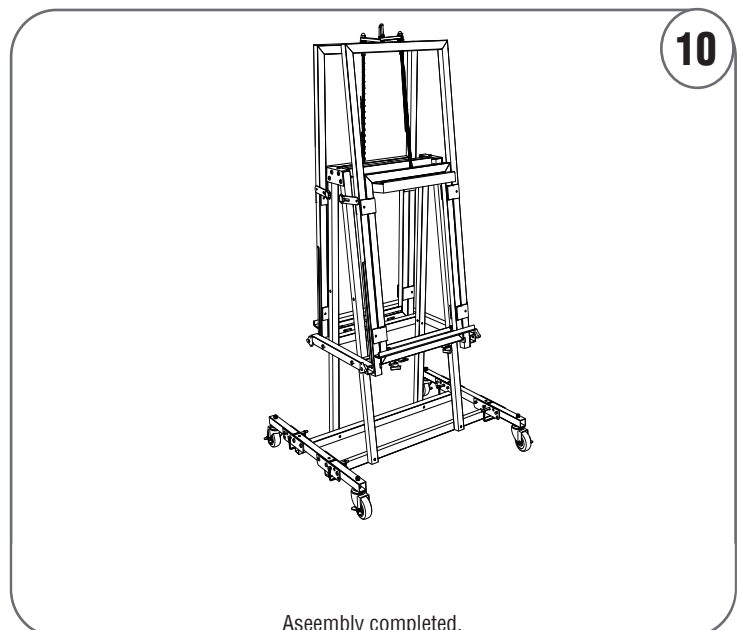
Install the Plates on sliding frame with Thumb turn bolts.



Install door support panel to sliding frame with lock nut M6, Make sure the folded edges face up. Long edge on outside to stop vehicle door slide.



Intall the handle on sliding frame.



Asembly completed.

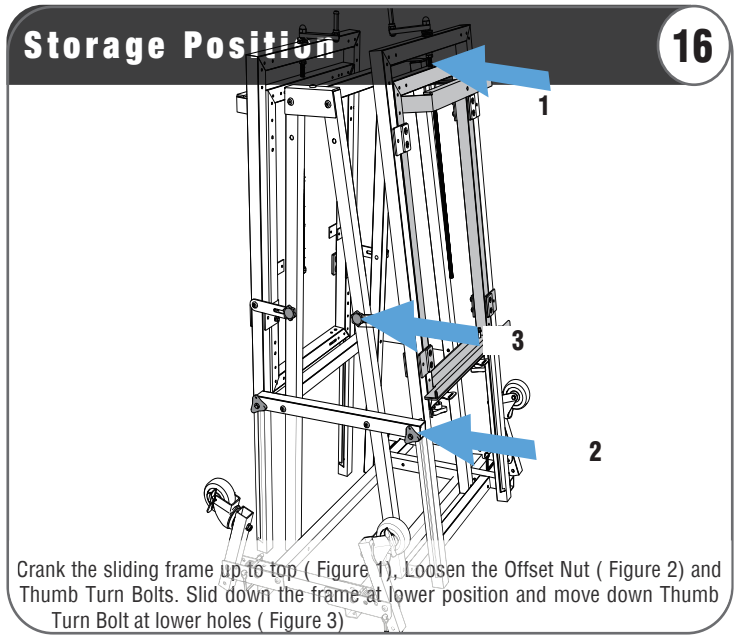
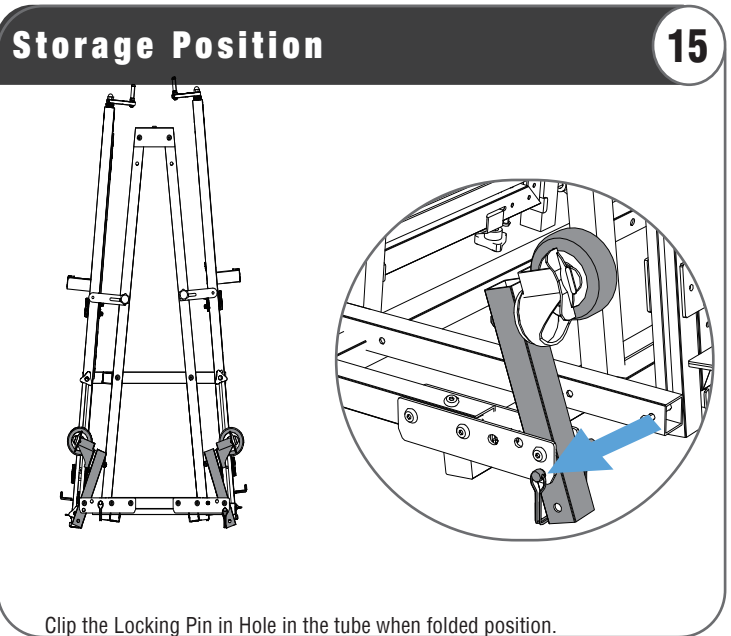
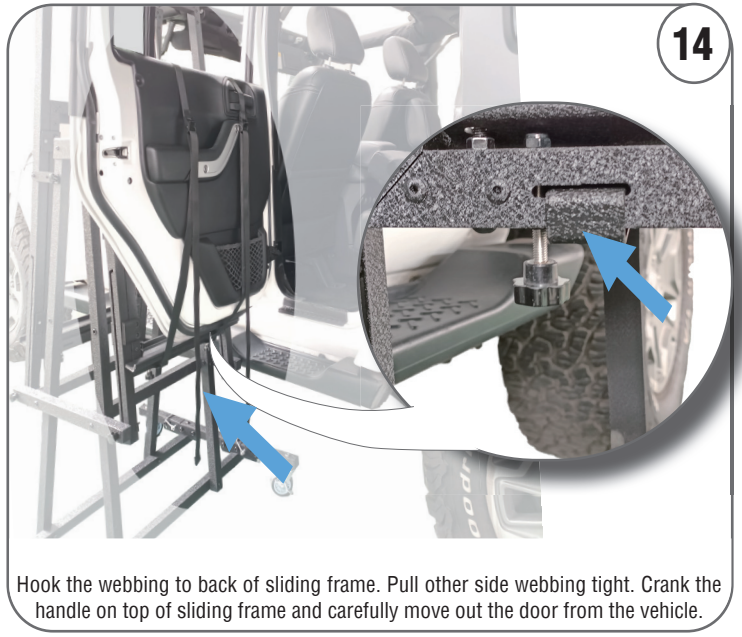
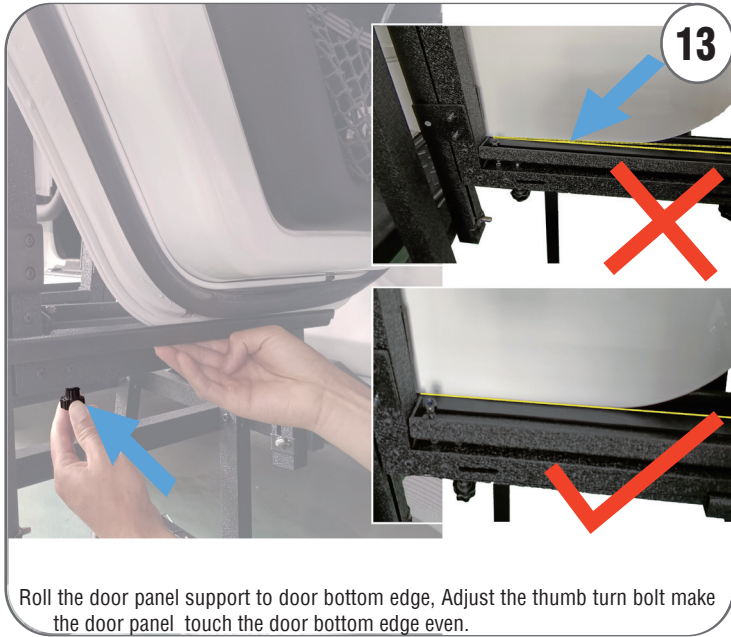


Roll down the glass window. Release the door limit strap. Unplug wiring harness.



Roll EZ door lift touch to door even

BEFORE BEGINNING, SEE THE ASSEMBLY INSTRUCTION VIDEO ON EZTRUNK.NET



Customer Service

Any question? WE ARE HERE TO HELP!

Text or Call 203-901-0055 / Call 203-591-9060

EMAIL US: SERVICE@EZTRUNK.NET

7 days a week 8:30 am EST

WE CAN HELP YOU!