

Panel Kit for Phantom Doors JK-JKU

EZTRUNK™ ASSEMBLY

MANUAL

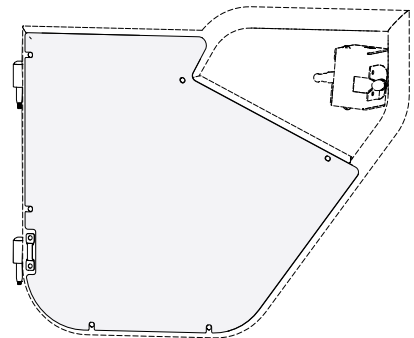
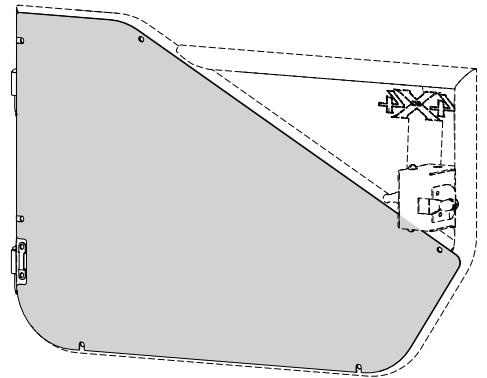
#1911 0152 #1911 0353

MAKE IT EZ

Print the latest manual &
Watch the EZTRUNK Video



Scan QR CODE for Video &
PDF MANUALS



Customer Service

Any questions? WE ARE HERE TO HELP!

Text or Call **203-901-0055** / Call **203-591-9060**

EMAIL US: SERVICE@EZTRUNK.NET

7 days a week - 8:30 am EST

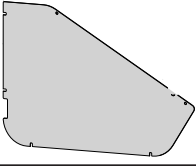
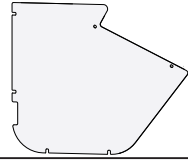
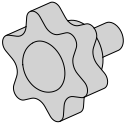
WE CAN HELP YOU!

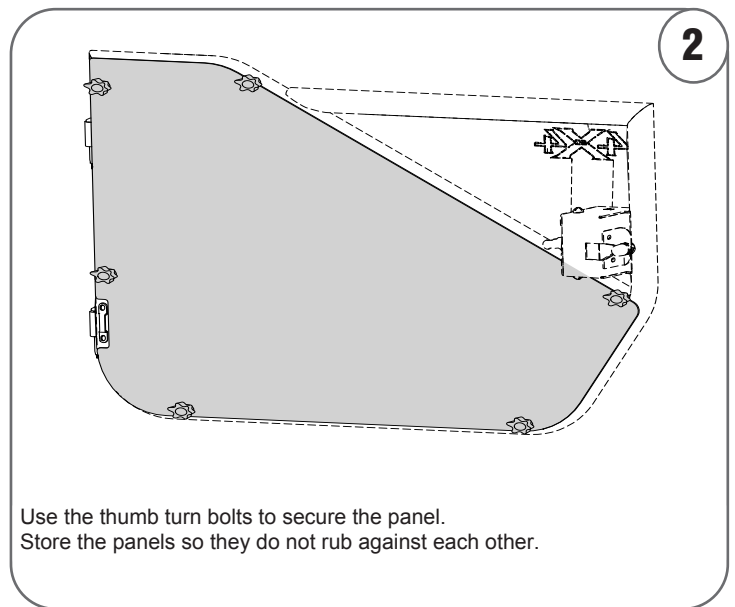
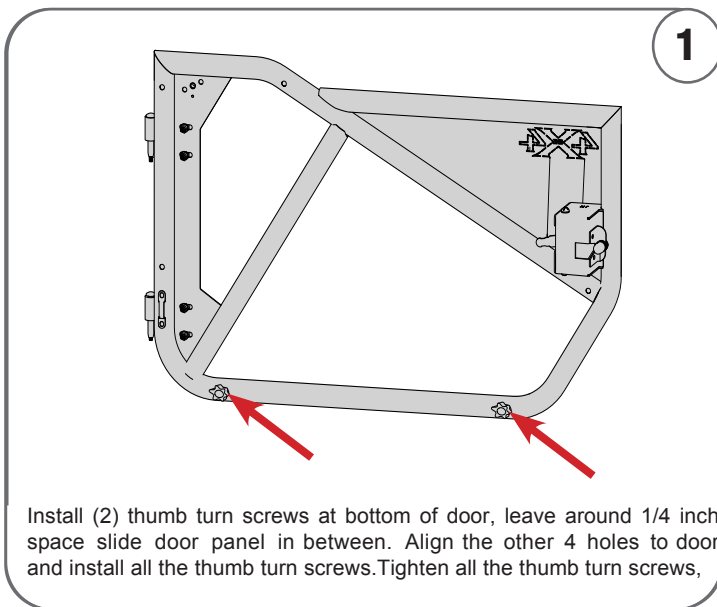
PO# :

Please read instructions fully before beginning assembly

#1911 0152 JK 2dr

#1911 0353 JK 4dr

| NO | Illustration | Description | Part# | QTY. | |
|----|---|------------------|----------|------|----|
| 1 |  | Front Door Panel | 1911007F | 2 | 2 |
| 2 |  | Rear Door Panel | 1911007R | \ | 2 |
| 3 |  | Thumb Turn Screw | 06081 | 12 | 24 |



WARNING This product is intended to provide added “off-road” convenience and utility to your vehicle. This product is not intended to provide occupant containment or protection in the event of an accident or rollover. Further “on road” use may involve increased risk of serious injury in the event of side-impact accidents. To reduce risk from these types of injuries: Always wear seat belt and shoulder harness for all vehicle occupants. Keep arms and body inside vehicle. Drive safely, read and understand all manufacturers warnings and product instructions before installation. Periodically check and adjust all latches and fasteners, Failure to do so could result in the doors not latching securely.