

Panel Kit for Phantom Doors JL- JLU-JT

EZTRUNK™ ASSEMBLY

— MANUAL —

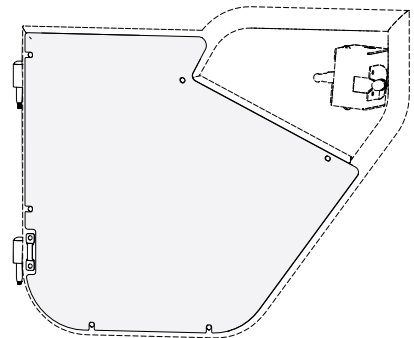
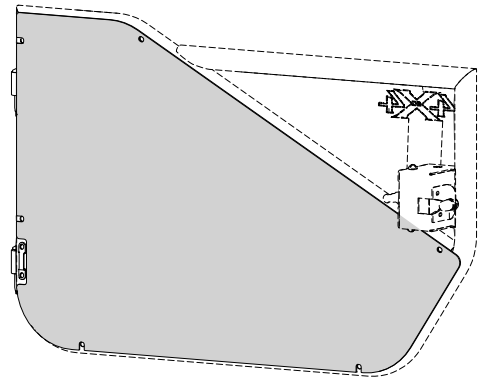
#1918 0262 #1918 0464

MAKE IT EZ

**Print the latest manual &
Watch the EZTRUNK Video**



**Scan QR CODE for Video &
PDF MANUALS**



Customer Service

Any questions? WE ARE HERE TO HELP!

Text or Call 203-901-0055 / Call 203-591-9060

EMAIL US: SERVICE@EZTRUNK.NET

7 days a week - 8:30 am EST

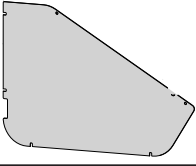
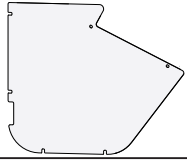
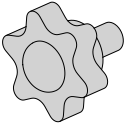
WE CAN HELP YOU!

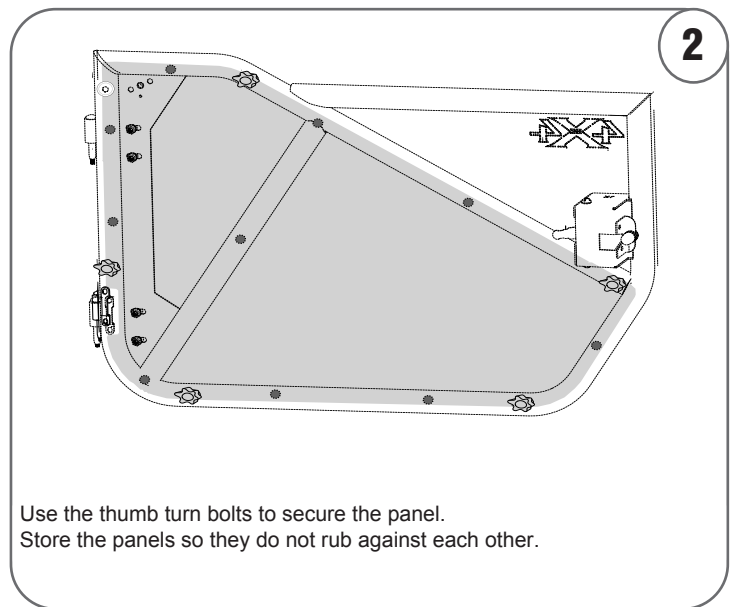
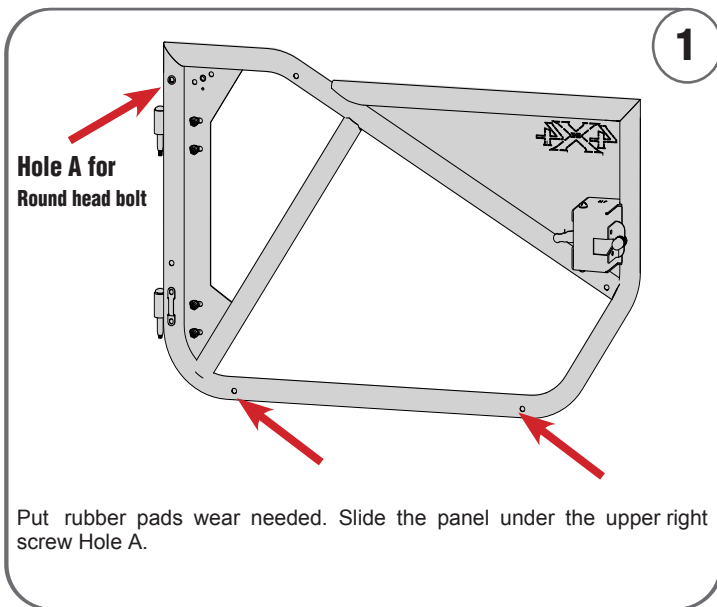
PO# :

Please read instructions fully before beginning assembly

#1918 0262 JL 2dr

#1918 0464 JL 4dr

NO	Illustration	Description	Part#	QTY.	
1		Front Door Panel	1918007F	2	2
2		Rear Door Panel	1918007R	\	2
3		Thumb Turn Screw	06081	12	24



WARNING This product is intended to provide added “off-road” convenience and utility to your vehicle. This product is not intended to provide occupant containment or protection in the event of an accident or rollover. Further “on road” use may involve increased risk of serious injury in the event of side-impact accidents. To reduce risk from these types of injuries: Always wear seat belt and shoulder harness for all vehicle occupants. Keep arms and body inside vehicle. Drive safely, read and understand all manufacturers warnings and product instructions before installation. Periodically check and adjust all latches and fasteners, Failure to do so could result in the doors not latching securely.