

JK JKU 2007 - 2018

EZ WINDOW ASSEMBLY

MANUAL

#1907 0043

MAKE IT EZ

Print the latest manual &
Watch the EZWINDOW Video
Part #1907 0043



Scan QR CODE for
Video & PDF MANUALS

READ FIRST

There are many variations of Jeeps, soft tops, hardtops, and with & without speakers.

When **INSTALLING** your EZTRUNK or EZWINDOW in your Jeep, and it doesn't fit due to Jeeps' variations, please call us.

WE HAVE THE COMPONENTS TO MAKE IT WORK PROPERLY. We also offer help with installations via FaceTime, Skype, cell, or any other way you would like to get the install done quickly.



Customer Service

Any questions? WE ARE HERE TO HELP!

Text or Call 203-901-0055 / Call 203-591-9060

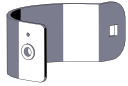
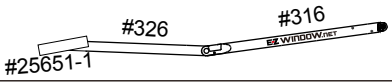
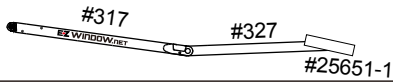
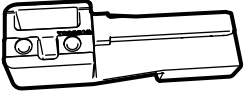
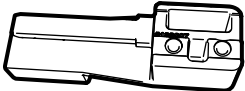

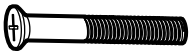
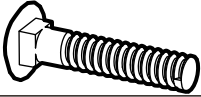



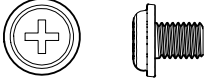

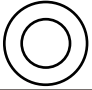


EMAIL US: SERVICE@EZTRUNK.NET

7 day a week 8:30 am EST

DO NOT RETURN, WE CAN HELP YOU!

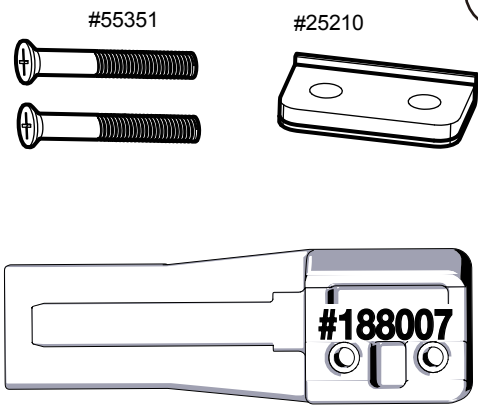
MAKE IT EASY: CHECK OUT THE ASSEMBLY INSTRUCTION VIDEO - USE QR CODE

Please read instructions fully before beginning assembly

NO	Illustration	Description	Part #	QTY.
1		60mm Clamps For Roll Bar	25651-2B	2
2		Support Bar For Driver Side	33516B	1
3		Support Bar For Passenger Side	33517B	1
4		Plastic Bracket For Driver Side	188007	1
5		Plastic Bracket For Passenger Side	188006	1
6		Metal Plates for Passenger & Driver Side	25210	2
7		Metal Plate Bolts M5x35	55351	4
8		Clamp Bolts M6x35	26351	2
9		Clamp Lock Nuts M6	10062	2+1 extra
10		Pins	25641	2
11		Velcro Straps	251801	2
12		Round Head Screws	66041	2+1 extra
13		Metal Washer - Black	1806012	1 extra
14		Plastic Washer - Black	1806112	1 extra
15		Wrench	#10	1
16		Rubber Cap For Clamp Bolts	M6	2+1 extra

MAKE IT EASY: CHECK OUT THE ASSEMBLY INSTRUCTION VIDEO - USE QR CODE

1



#55351 #25210

#188007

#188007 Driver side
#188006 Passenger side



3

DO NOT USE POWER TOOLS

Follow instructions to install the left & right sides



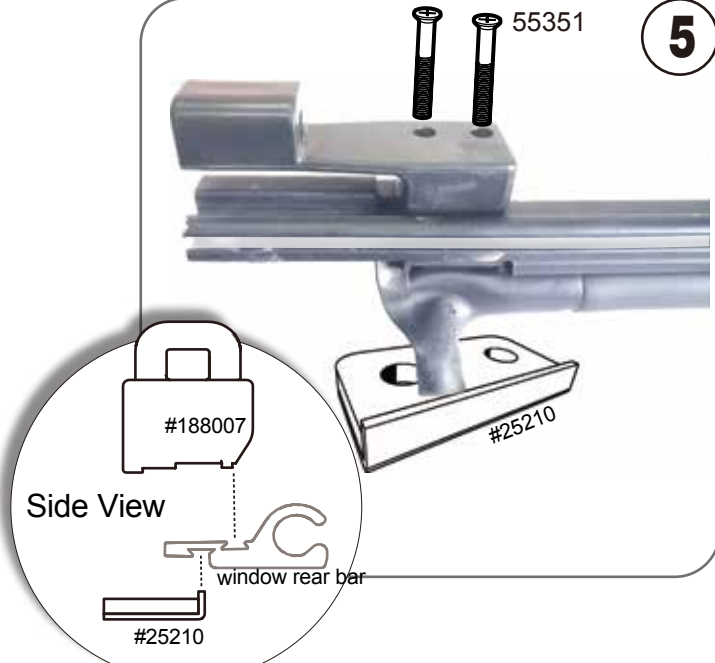
1. Take off the Rear Bar

4



#188 007

5



55351

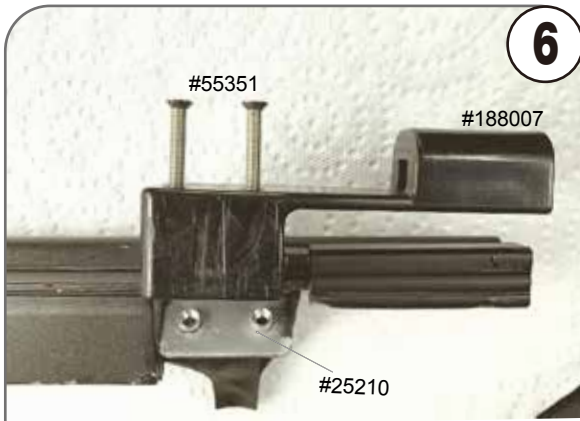
#188007

#25210

Side View

window rear bar

#25210



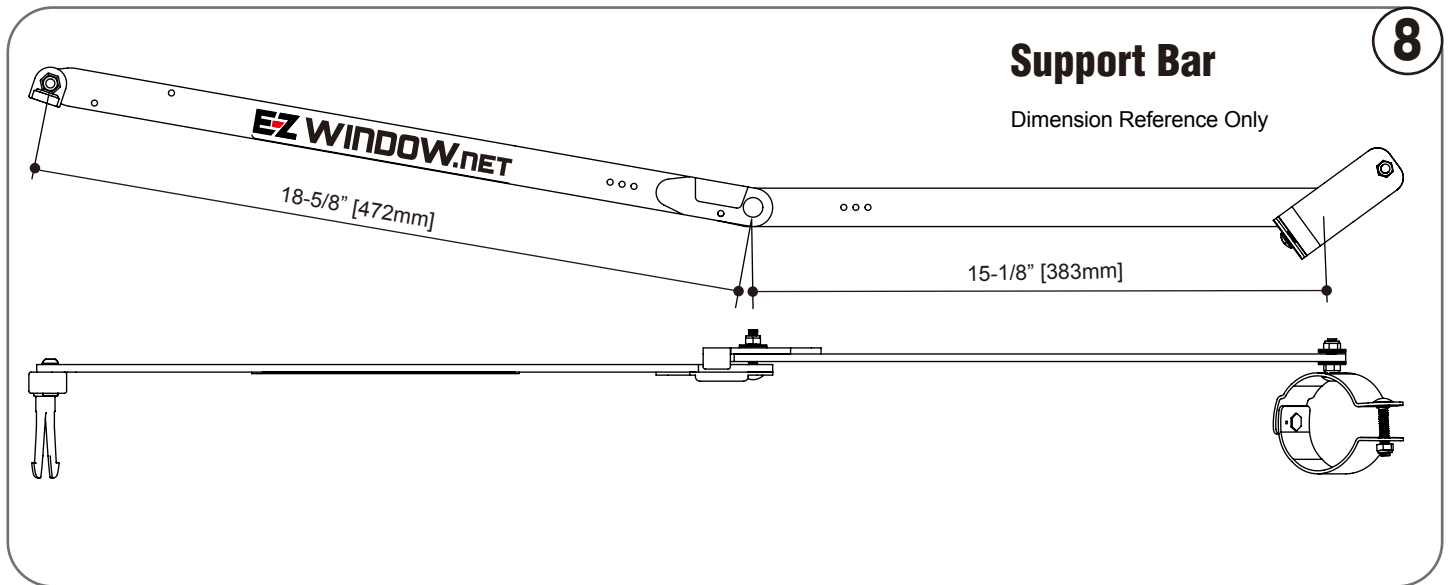
6

Connect the two parts on each side of the bar. Make sure the Metal clip is in the slot of the bar.



7

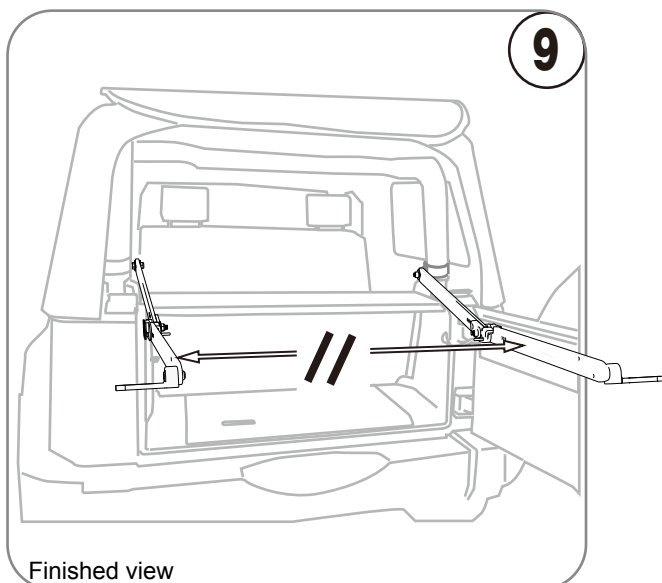
Tighten the two parts to the bar.



8

Support Bar

Dimension Reference Only



9

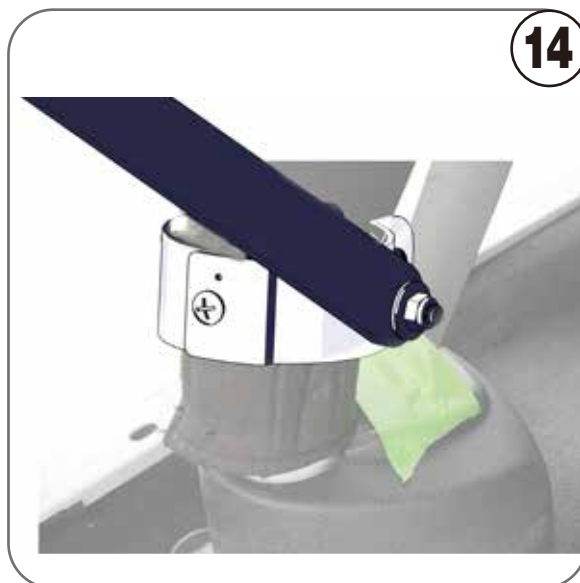
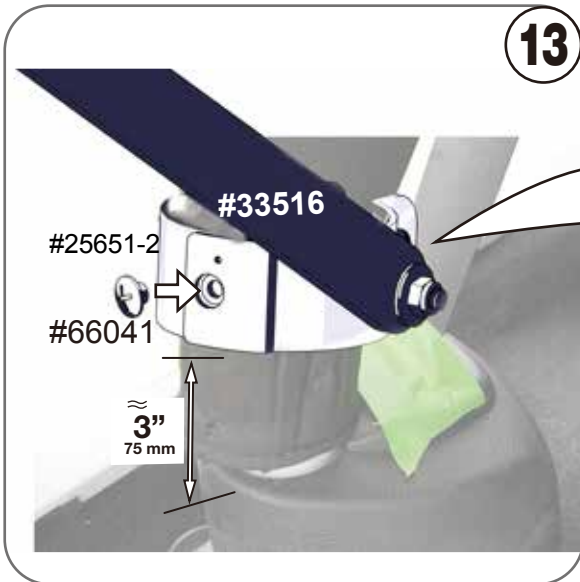
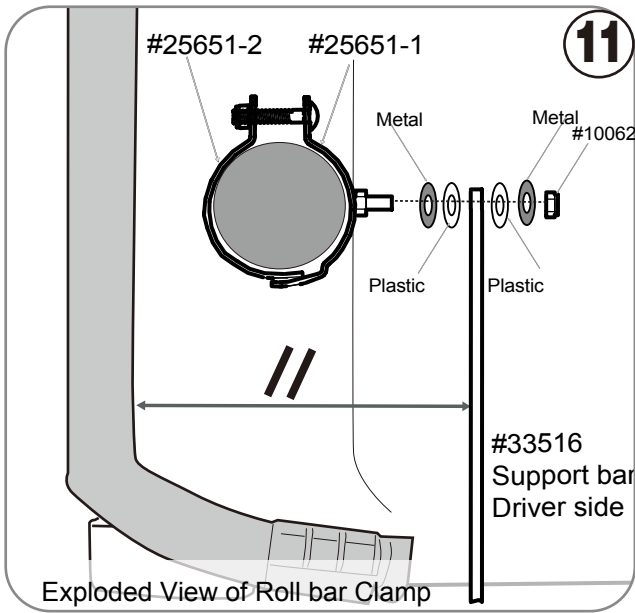
Finished view



10

Use painter's tape to cover the hole to avoid losing the screws.

MAKE IT EASY: CHECK OUT THE ASSEMBLY INSTRUCTION VIDEO - USE QR CODE





Squeeze pin, push in until it clicks in place.



Bring the window up and rotate the window bar to make it taller.



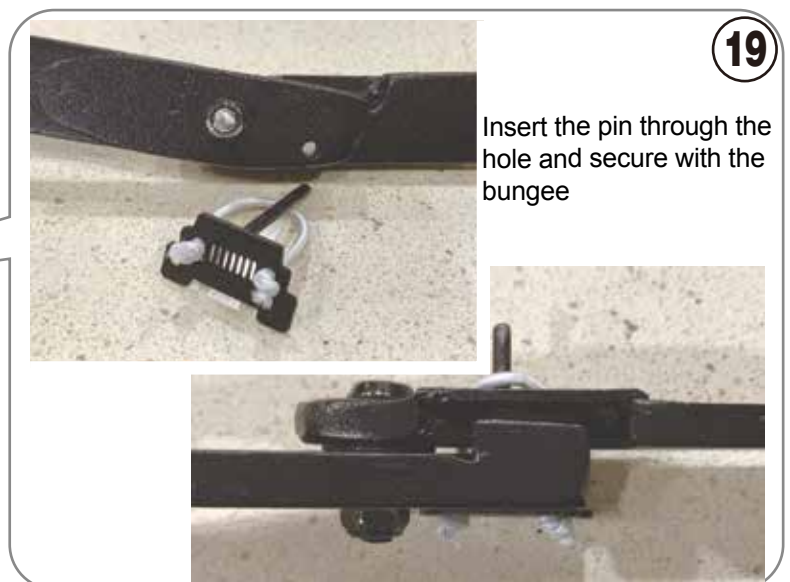
DRIVE WITH THE WINDOW UP!

Do not drive with the window in the High position, only the lower up position.

**The EZWINDOW has
2 levels HIGH and LOW.
DRIVE WITH WINDOW OPEN
ON LOW LEVEL.**



Use the Jeep clip when driving on the highway.



Insert the pin through the hole and secure with the bungee

FOLDING



20

Remove the bungee and pull the pin when closing the window.



21

Store the Jeep pin here, when not in use.



22

Lift the middle of the side bars up to fold the window down

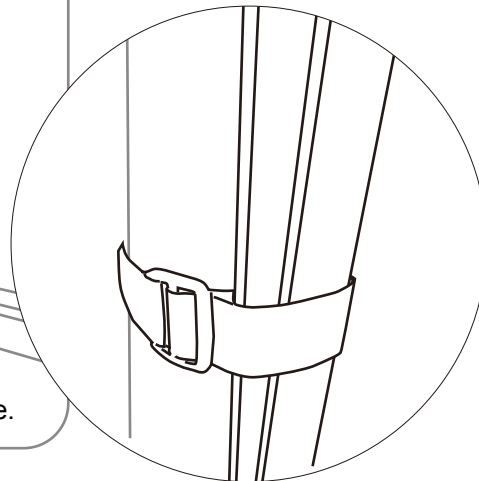
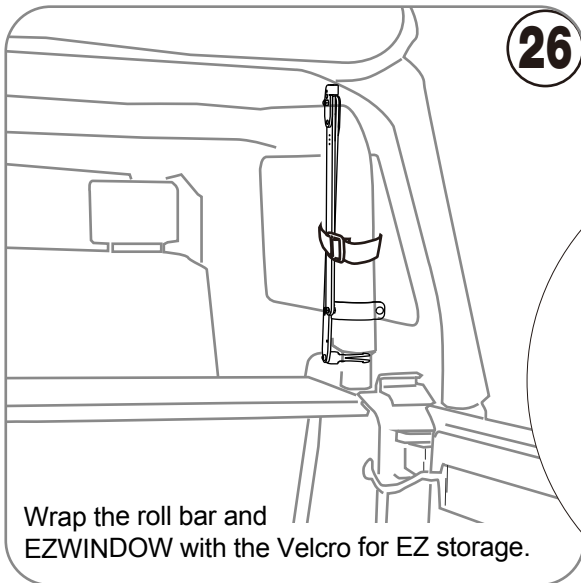
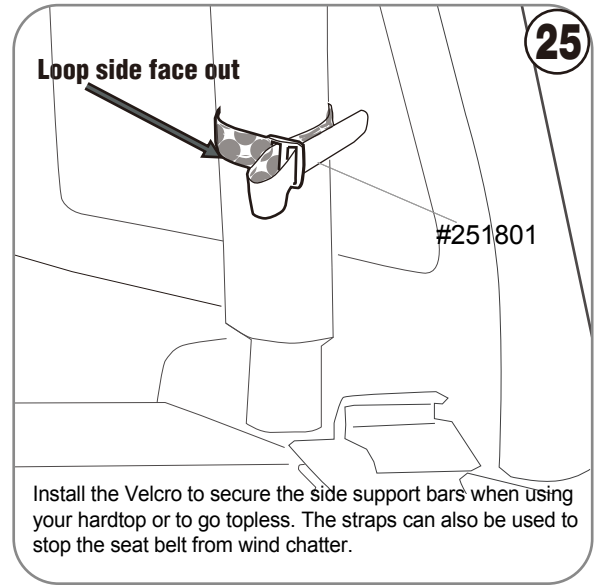


23

Pull the side bars in a little to go past the top edge of the window corner if needed.

MAKE IT EASY: CHECK OUT THE ASSEMBLY INSTRUCTION VIDEO - USE QR CODE

STORING EZWINDOW WHEN YOU INSTALL HARDTOP OR GO TOPLESS



Customer Service

Any questions? WE ARE HERE TO HELP!

Text or Call 203-901-0055 / Call 203-591-9060

EMAIL US: SERVICE@EZTRUNK.NET

7 day a week 8:30 am EST

DO NOT RETURN, WE CAN HELP YOU!