

# EZ - BRONCO FOLDING DOOR CART - 4 DR

**EZ 4X4** **EZTRUNK™** ASSEMBLY

# — MANUAL —

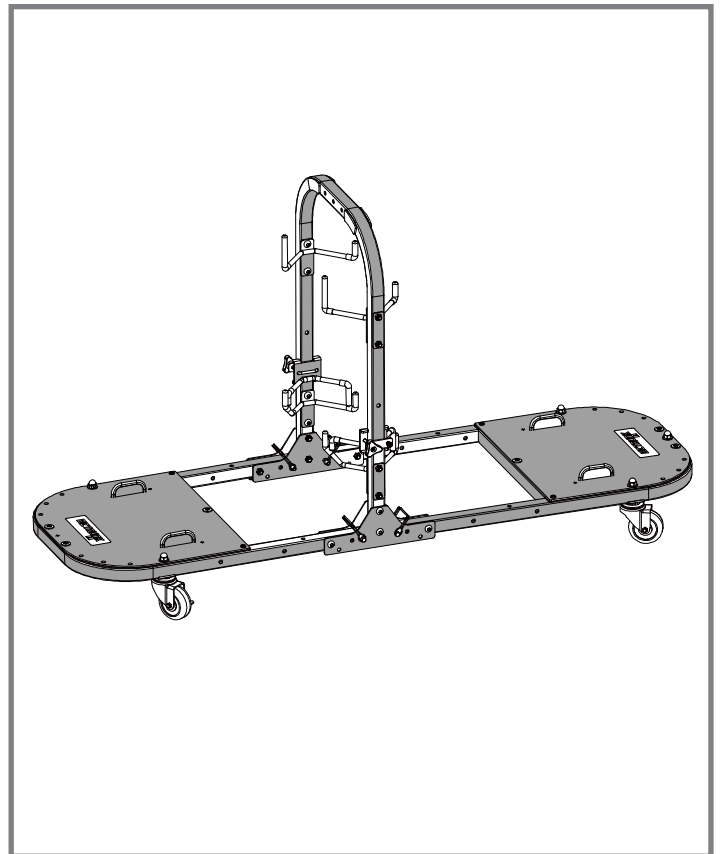
#5121 0084 - #5100 0084

**We have made  
INSTALLATION EZ!**

**Scan the QR Code below for Step-by-  
Step Video Installation**



**SCAN ME**



**Scan QR CODE for all other  
Videos & PDF MANUALS**



## Customer Service

*Any question? WE ARE HERE TO HELP!*

**Text or Call 203-901-0055 / Call 203-591-9060**

**EMAIL US: SERVICE@EZTRUNK.NETT**


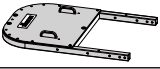
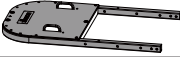
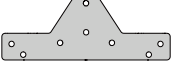

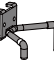
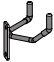
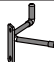


















*7 days a week 8:30 am EST*

**WE CAN HELP YOU WITH YOUR INSTALL !**

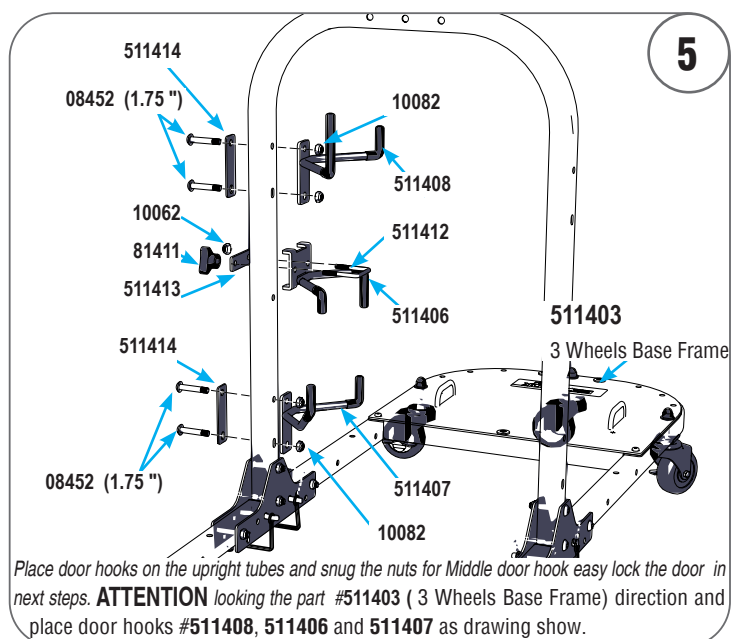
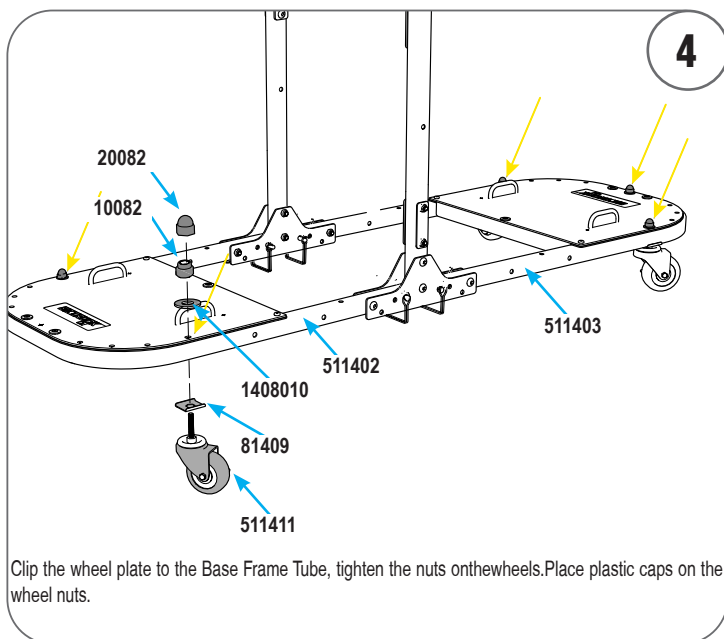
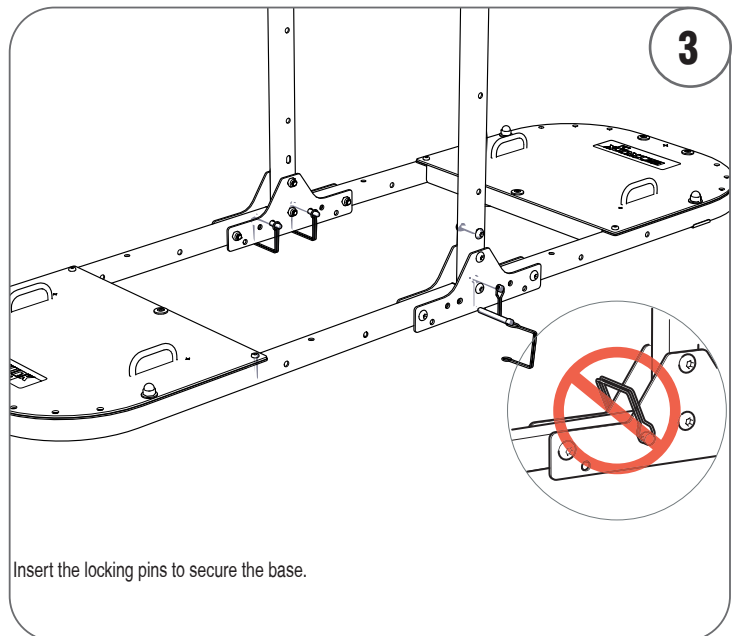
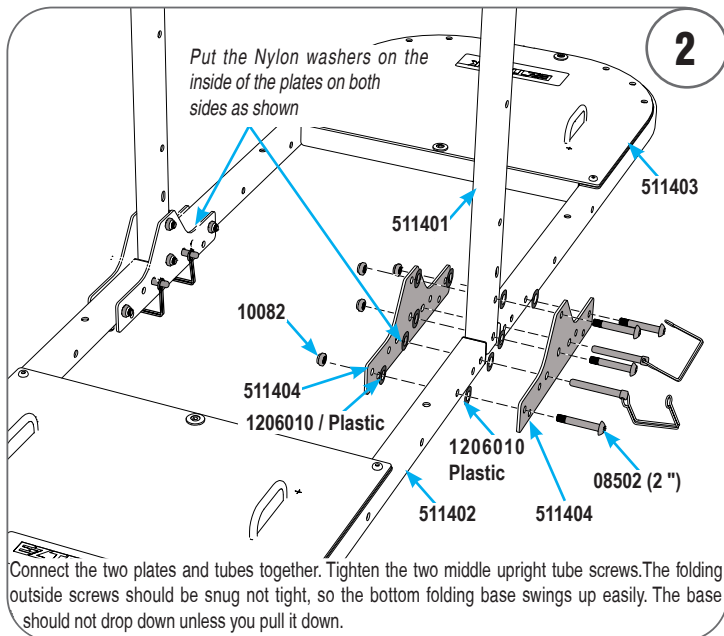
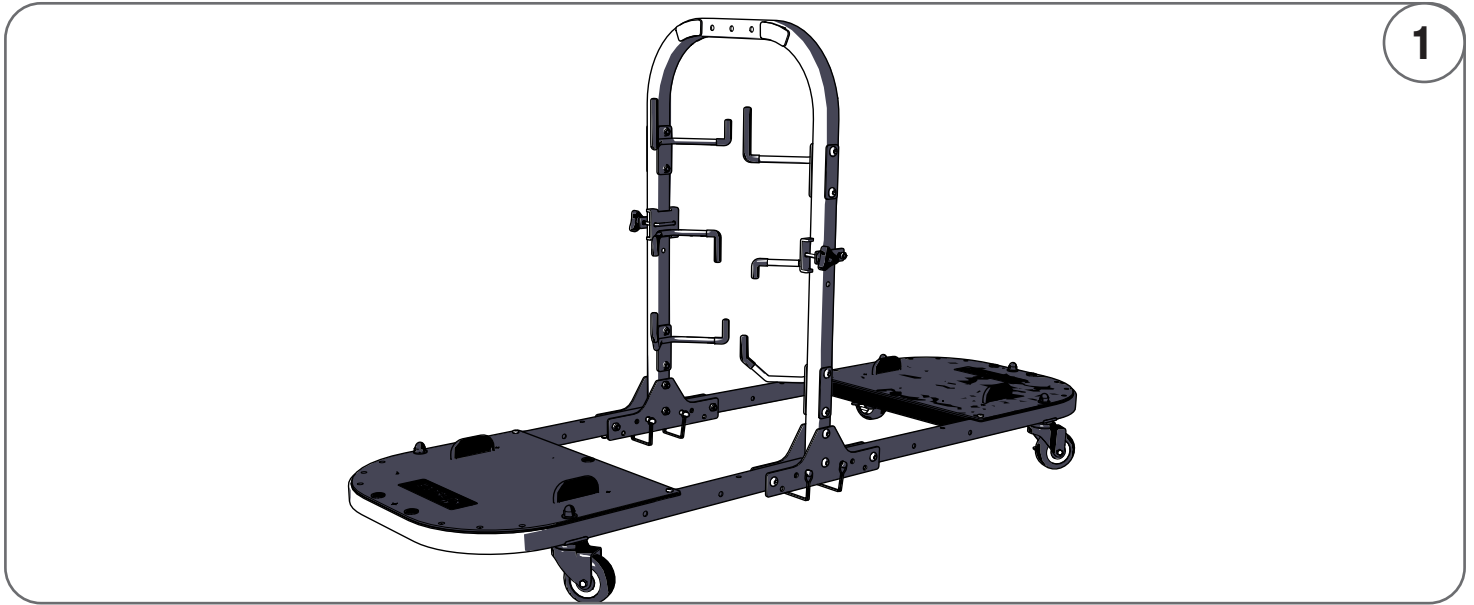
PO# :

# BEFORE BEGINNING, Watch the Latest Video Manual

Please read instructions fully before beginning assembly

NO	Illustration	Description	Part#	QTY.
1		Upper Frame Tube	511401	1
2		2 Wheels Base Frame	511402	1
3		3 Wheels Base Frame	511403	1
4		Side Plate	511404	4
5		Top Door Hook #A	511405	1
6		Middle Door Hook #B	511406	1
7		Low Door Hook #C	511407	1
8		Top Door Hook #D	511408	1
9		Middle Door Hook #E	511409	1
10		Low Door Hook #F	511410	1
11		Wheel Cstor	511411	1
12		Bottom Wheel Castor Plaste	81409	5
13		U Bolt	511412	2
14		Thumb Turn Nut	81411	2
15		Rectangle Plate	511413	2
16		Rectangle Plate for Hook	511414	4
17		Locking Pin	08352	4
19		Side Plate / Base Frame Tube Bolt	08452 ( 1.75" )	8
20		Bolt	08502 ( 2" )	8
21		Washer	1408010	5
22		Nylon Washer	1206010	16+ 2 extra
23		Plastic Cap For Nut	20082	5
23		Large Lock Nut	10082	21+ 2 extra
24		Small Lock Nut	10062	2+ 1 extra
25		#5 Allen Wrench	#5	1
26		#10 & #13 Wrench	#10	1

# BEFORE BEGINNING, Watch the Latest Video Manual



# BEFORE BEGINNING, Watch the Latest Video Manual

**6**

511408 511405  
511406 511409 511403  
511407 511410  
3 Wheels Base Frame

Place door hooks #511405, 511410 and 511409 on the upright tubes and snug the nuts for Middle door hook easy lock the door in next steps. as drawing show.

**7**

Rear Door Here 511402  
2 Wheels Base Frame

Front Door Here 511403  
3 Wheels Base Frame

Roll your windows down before disconnecting the electrical plugs.  
Place the rear door from one side of the vehicle on the EZ-Door Holder Cart first. Then put the same side front door on EZ-Door Holder Cart. SLIDE THE MIDDLE LOCK IN THE DOWN POSITION when moving the cart to the other side. Take the doors from the other side off the same way. This distributes the weight on the cart.

**8**

Make sure the cart is on level ground when loading the doors

511403 511402  
3 Wheels Base Frame 2 Wheels Base Frame

Make sure the cart is on level ground when loading the doors. Place the doors on the cart with the stopper on the outside and Ensure hook the door top and bottom hinge hole hook on door cart hooks.

**9**

Slide down the middle safety hinge lock and thumb turn to tighten. This locks the doors in place for moving and storage.

**10**

Lock The Castor

Lock the wheels for storage.

**11**

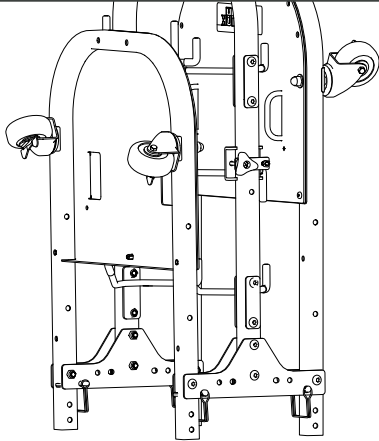
Folding the EZ-DOOR CART

Take the pins out and fold.

# BEFORE BEGINNING, Watch the Latest Video Manual

## Folding the EZ-DOOR CART

12



Place the pins in the bottom locking holes.

# Customer Service

*Any question? WE ARE HERE TO HELP!*

**Text or Call 203-901-0055 / Call 203-591-9060**

**EMAIL US: SERVICE@EZTRUNK.NETT**

*7 days a week 8:30 am EST*

# WE CAN HELP YOU!