

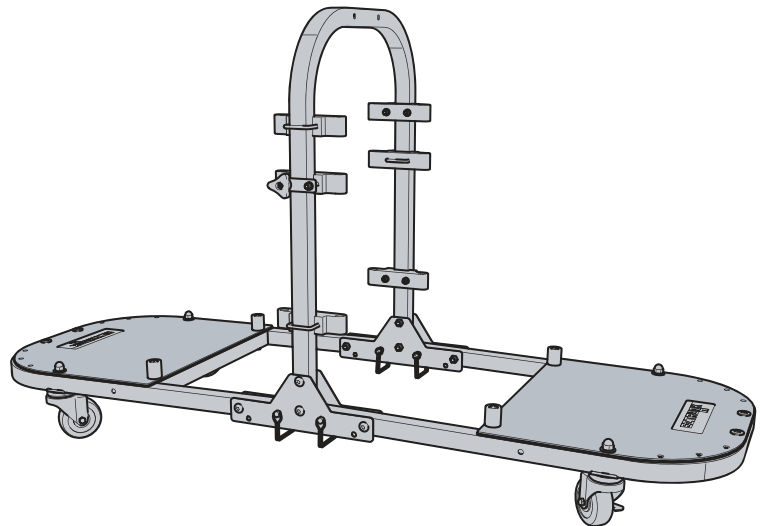
# EZ- FOLDING / ROLLING DOOR CART- 4 DOOR EZTRUNK™ ASSEMBLY

# MANUAL

#1921 0084 \ 1900 0084

## MAKE IT EZ

Print the latest manual &  
Watch the EZTRUNK Video



Scan QR CODE for Video &  
PDF MANUALS

## Customer Service

*Any questions? WE ARE HERE TO HELP!*

Text or Call 203-901-0055 / Call 203-591-9060

EMAIL US: SERVICE@EZTRUNK.NET

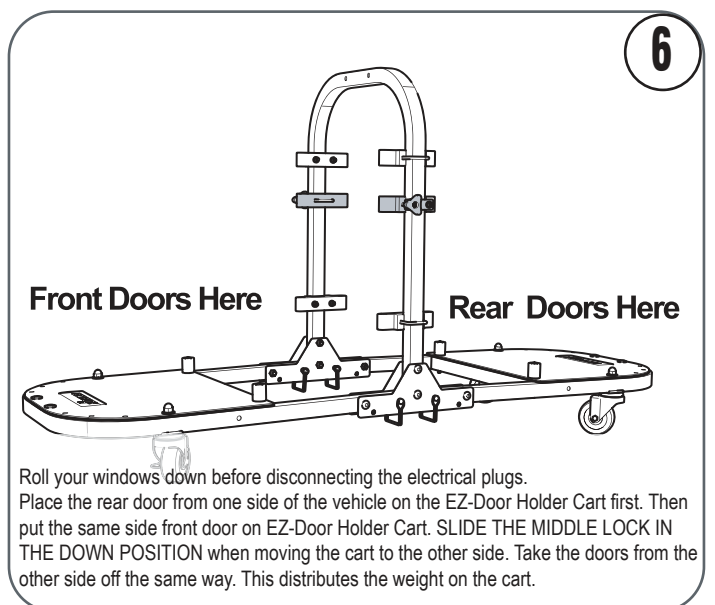
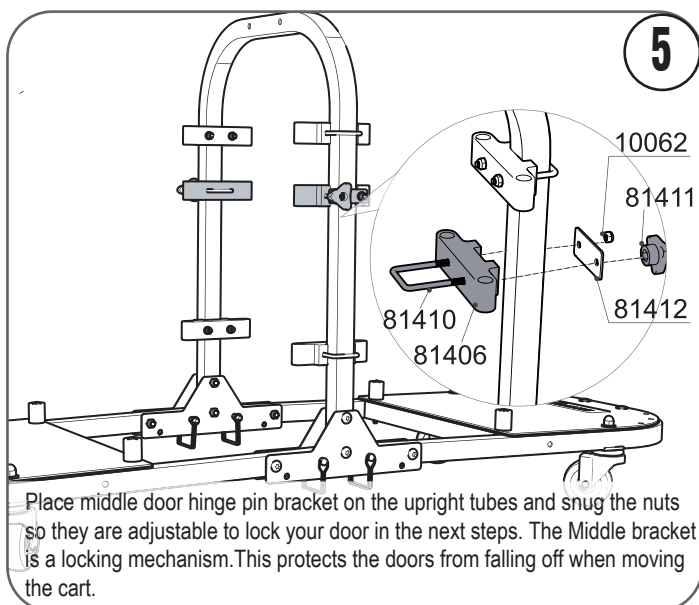
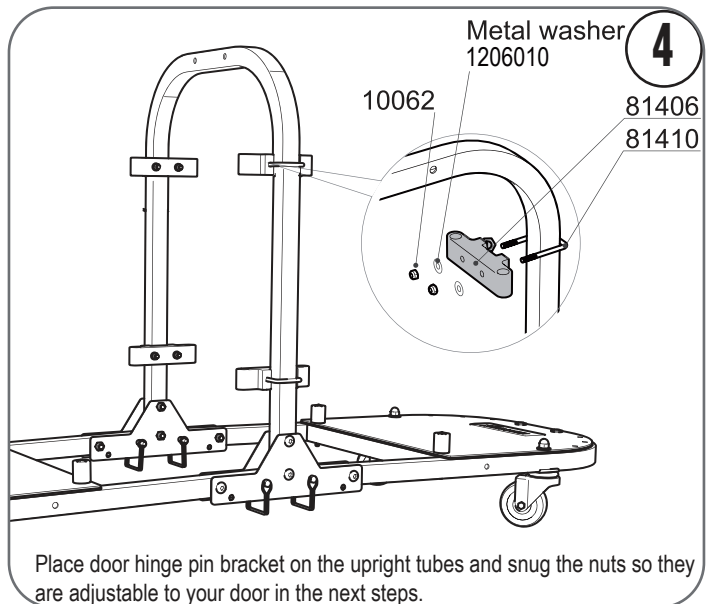
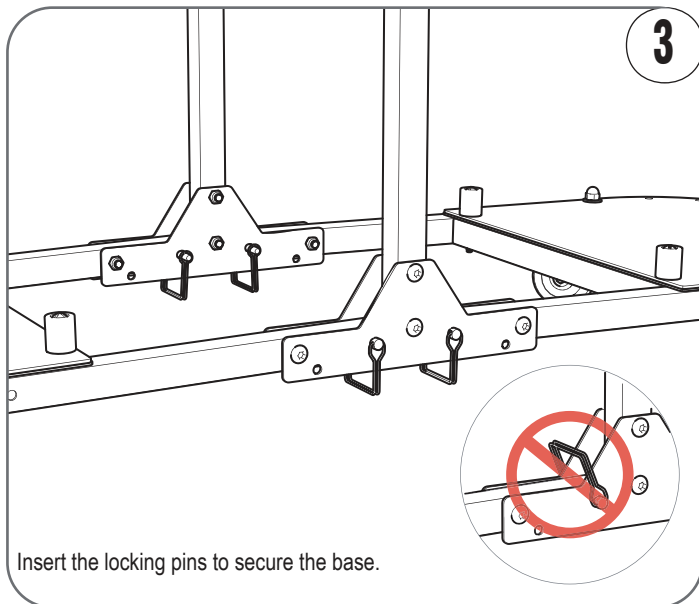
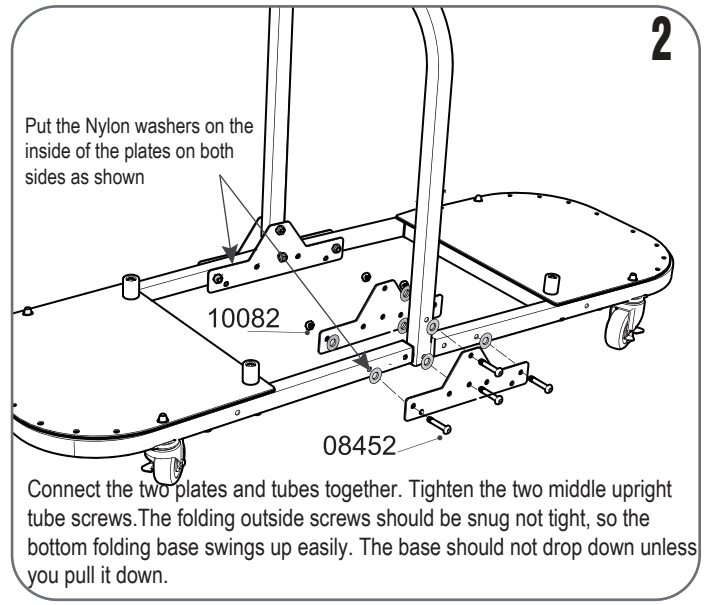
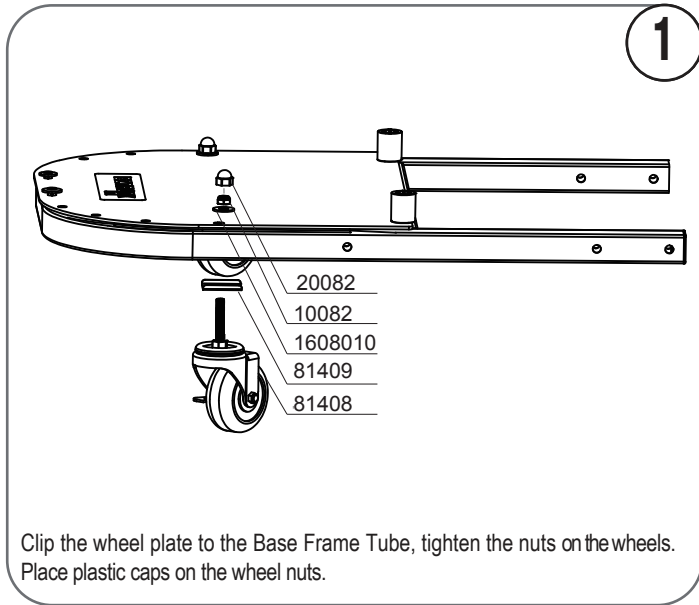
*7 days a week 8:00 AM - 8:00 PM EST*

## WE CAN HELP YOU!

PO# :

**Please read instructions fully before beginning assembly**

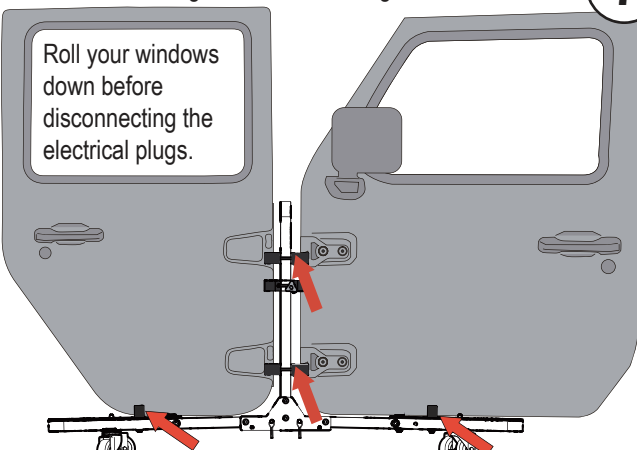
<b>NO</b>	<b>Illustration</b>	<b>Description</b>	<b>Part #</b>	<b>QTY.</b>
1		Upper Frame Tube	81401	1
2		Base Frame Tube	81402	2
3		Side Plate	81404	4
4		Door Hinge Pin Bracket	81406	6
5		Wheel Castor	81408	4
6		Bottom Wheel Castor Plate	81409	4
7		U Bolt	81410	6
8		Thumb Turn Nut	81411	2
9		Rectangle Plate	81412	2
10		Locking Pin	08352	4
11		Side Plate / Base Frame Tube Bolt	08452	8
12		Nylon Washer	1408010	16+ 2 extra
13		Washer (On U Bolt)	1206010	8+ 2 extra
14		M8 Washer (On Wheel)	1608010	4
15		Plastic Cap For Nut	20082	4
16		Large Lock Nut	10082	12+ 2 extra
17		Small Lock Nut	10062	10+ 2 extra
18		#5 Allen Wrench	#5	1
19		#10 & #13 Wrench	#10	1



7

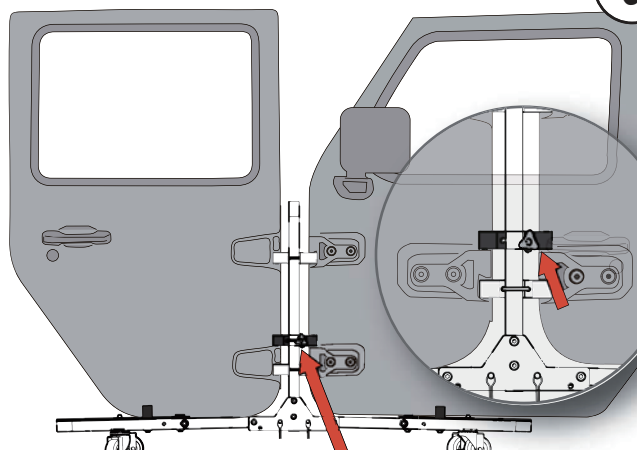
Make sure the cart is on level ground when loading the doors

Roll your windows down before disconnecting the electrical plugs.



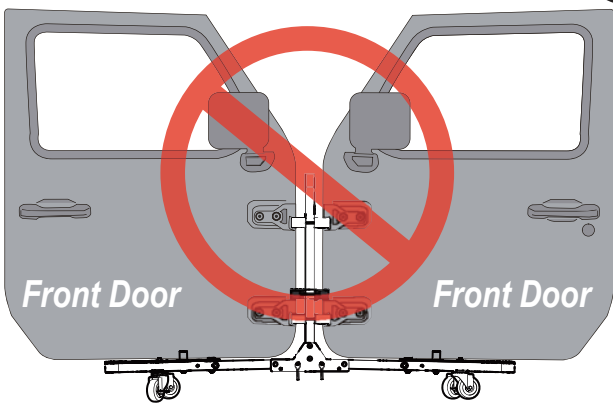
Make sure the cart is on level ground when loading the doors. Place the doors on the cart with the bumpers on the outside and adjust the brackets so they are hitting the top of the door hinge brackets. Tighten the cart hinge brackets so they do not move.

8



Slide down the safety hinge lock and thumb turn to tighten. This locks the doors in place for moving and storage.

9

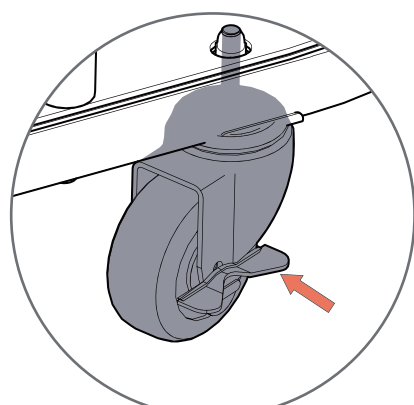


*Front Door* *Front Door*

Do not store the front doors this way. Store the doors side by side.

**How To Lock The Castor**

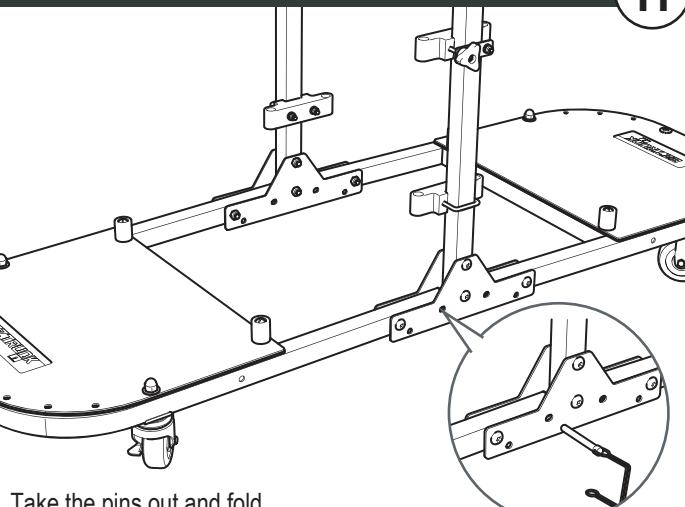
10



Lock the wheels for storage.

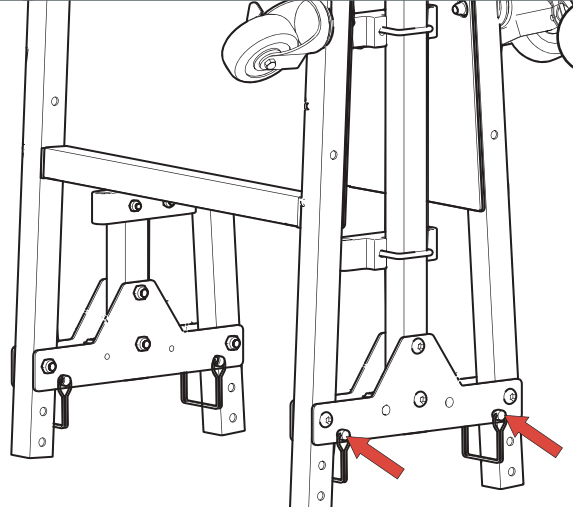
**Folding the EZ-DOOR CART**

11



Take the pins out and fold.

12



Place the pins in the bottom locking holes.