



## EZLOCK ASSEMBLY MANUAL

**LOT#:**



EZWINDOW & EZTRUNK  
are sold separately

# Customer Service

*If you have a question or concern*

**Email: [service@neopmail.net](mailto:service@neopmail.net)**

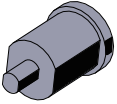
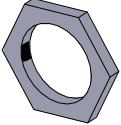

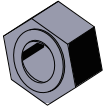

**or call 203-591-9060**

*Monday-Friday 8:30am-4:30pm EST*

PDF manual on [www.EZTRUNK.com](http://www.EZTRUNK.com)

**DO NOT RETURN TO THE STORE!**

# Please read instructions fully before beginning assembly

NO	Illustration	Description	Part #	QTY.
1		Cam lock	L1101	1
2		Nut_20	L1102	1
3		Rod	L1121 2 Door Jeep L1141 4 Door Jeep	1
4		Lock Nut M8	L2082	1
5		Key	L1103	2

## RECOMMENDED TOOLS

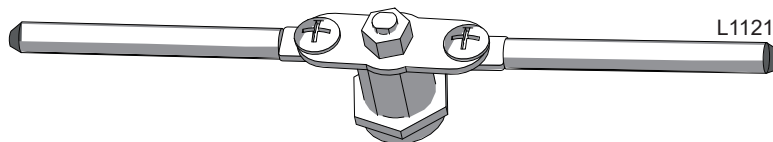


#11 #17 #24



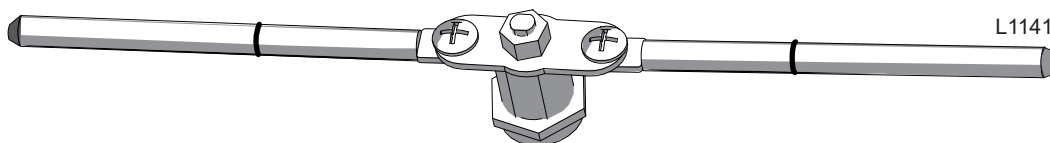
#8

Each kit comes with one lock. Either the short one for the 2 doors or the long one for the 4 doors



L1121

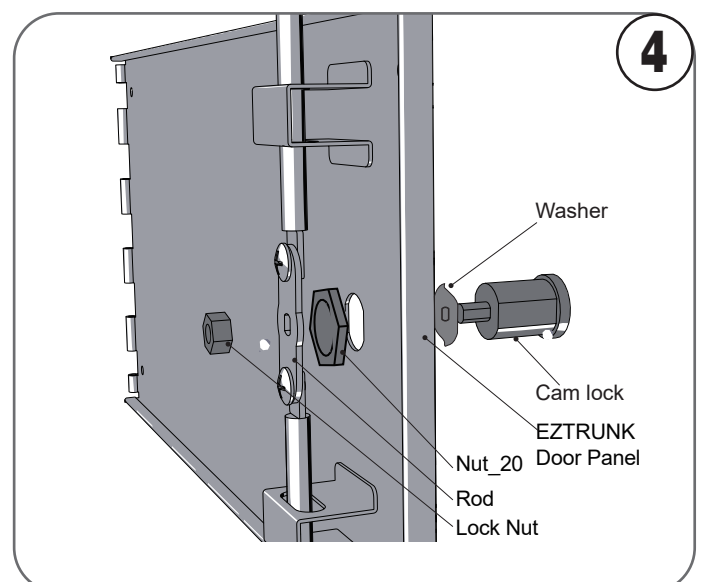
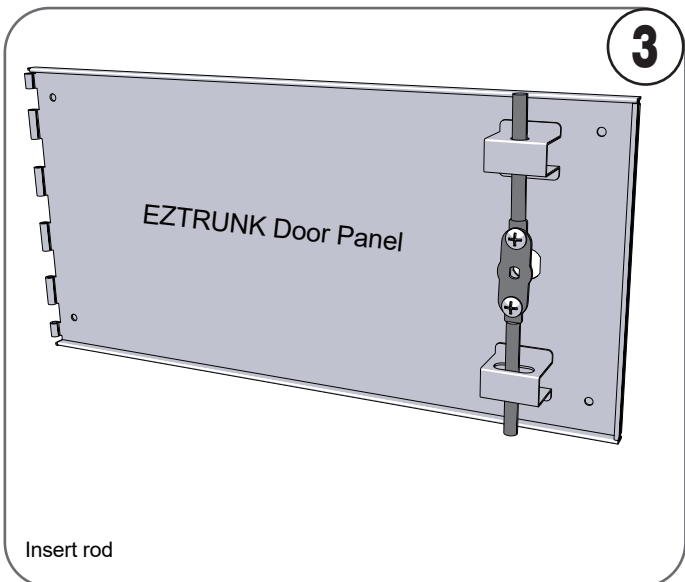
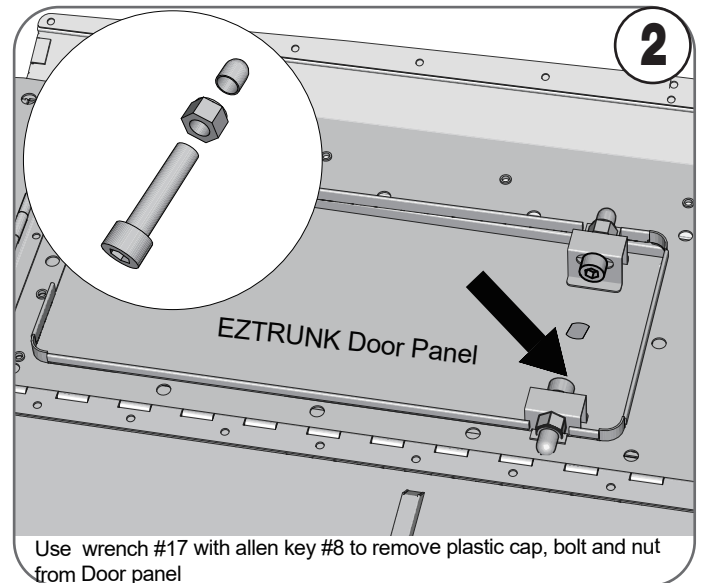
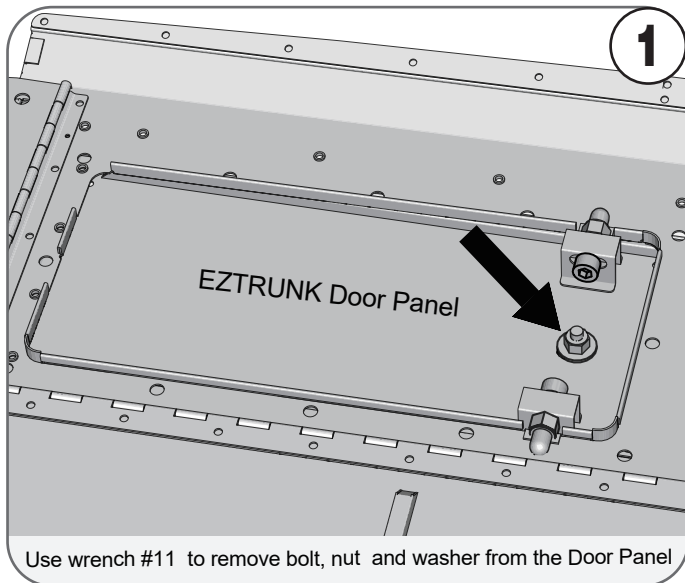
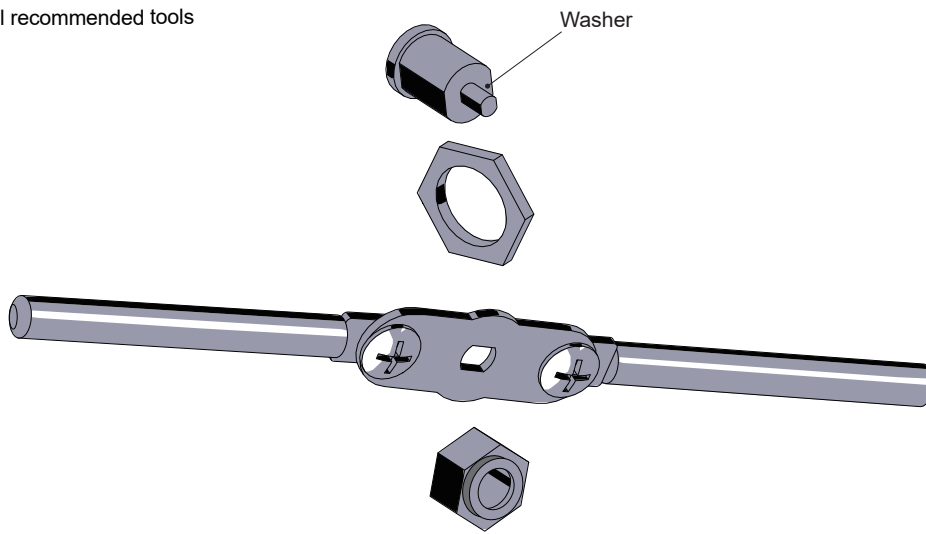
**# 1900 0039**  
2 Door Jeep

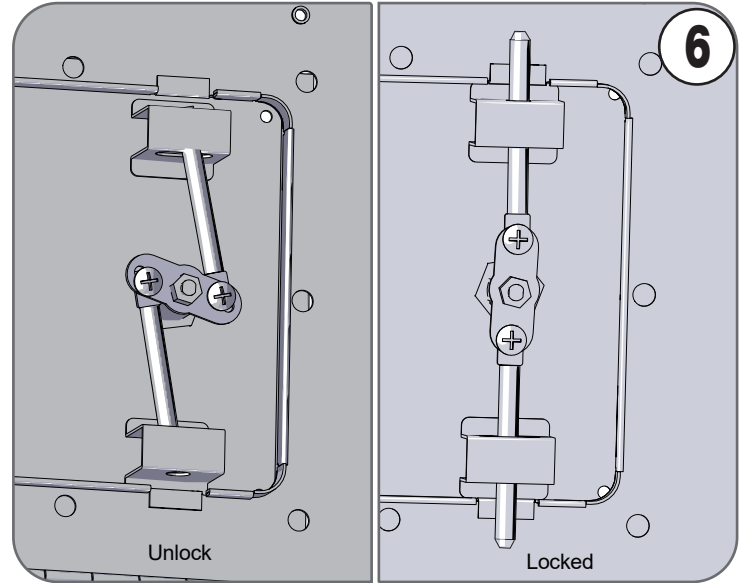
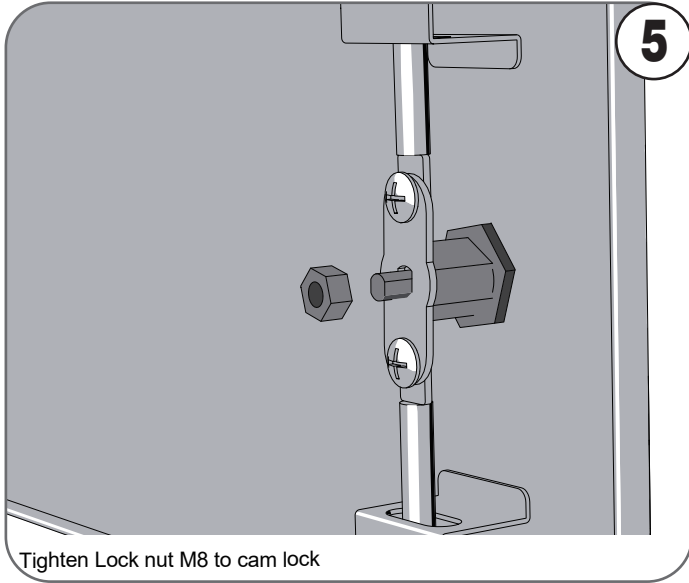


L1141

**# 1900 0040**  
4 Door Jeep

Pull lock apart using all recommended tools





# Customer Service

*If you have a question or concern*

**Email: [service@neopmail.net](mailto:service@neopmail.net)**

**or call 203-591-9060**

*Monday-Friday 8:30am-4:30pm EST*

PDF manual on [www.EZTRUNK.com](http://www.EZTRUNK.com)

**DO NOT RETURN TO THE STORE**