

EZTRUNK GUN HOLDER

EZTRUNK™ ASSEMBLY

MANUAL

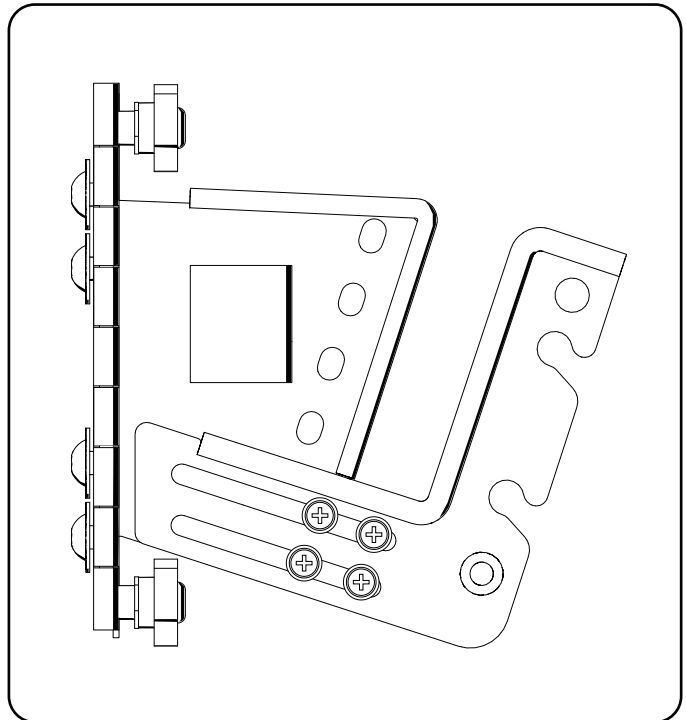
#1900 0057

MAKE IT EZ

Print the latest manual &
Watch the EZTRUNK Video
Part # 1900 0057



Scan QR CODE for Video &
PDF MANUALS



Customer Service

Any question call

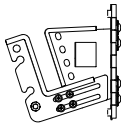
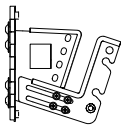





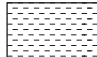


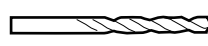
Call 203-901-0055 / 203-591-9060
EMAIL US: SERVICE@EZTRUNK.NET

7 day a week 8:30 am EST

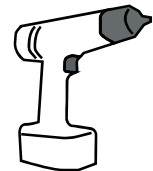
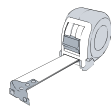
WE ARE HERE TO HELP YOU!

PO# :

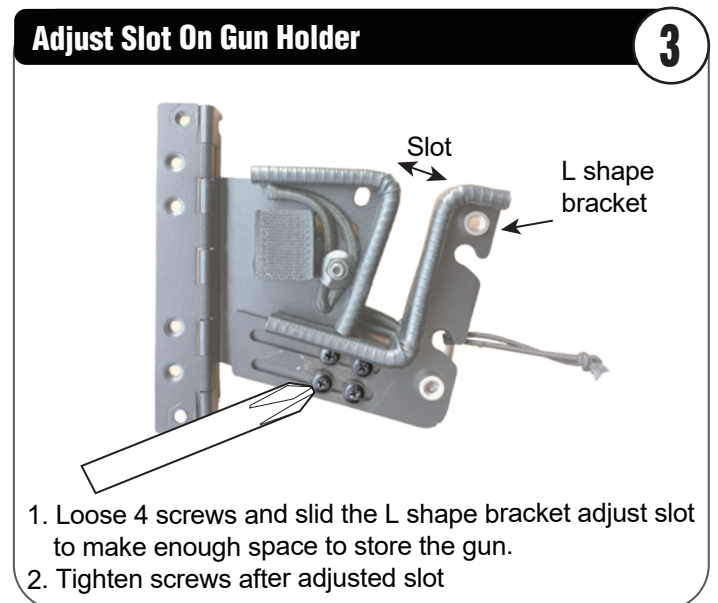
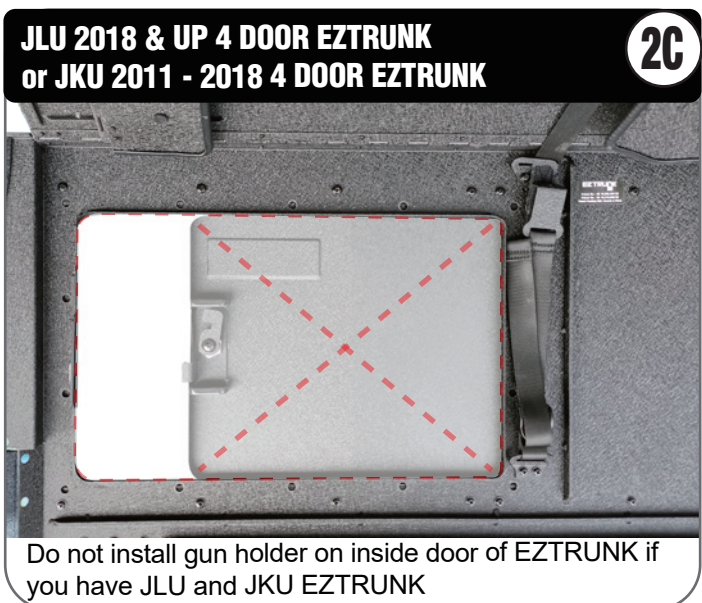
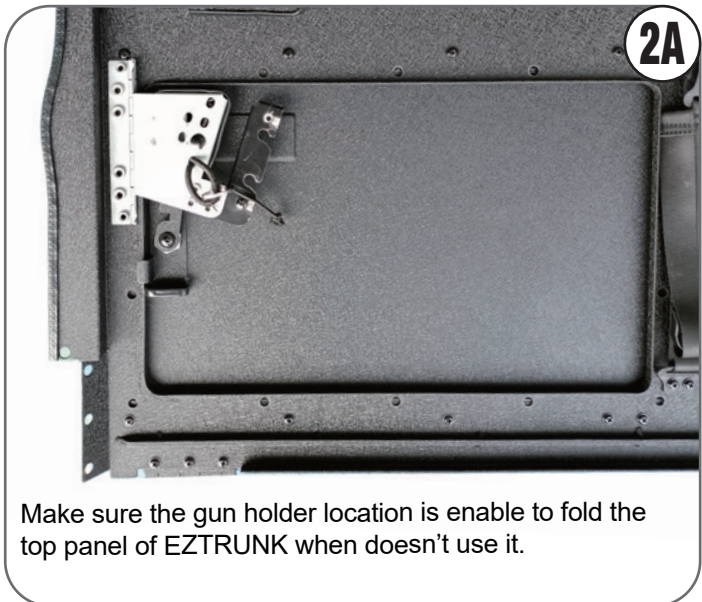
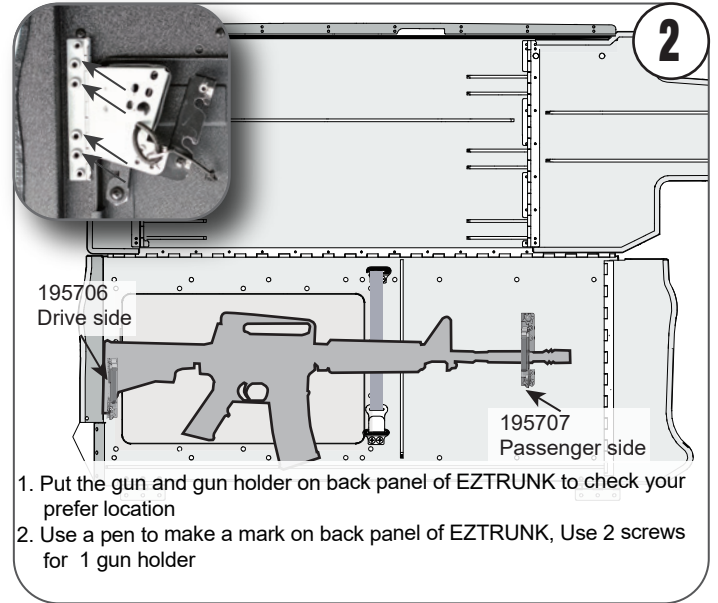
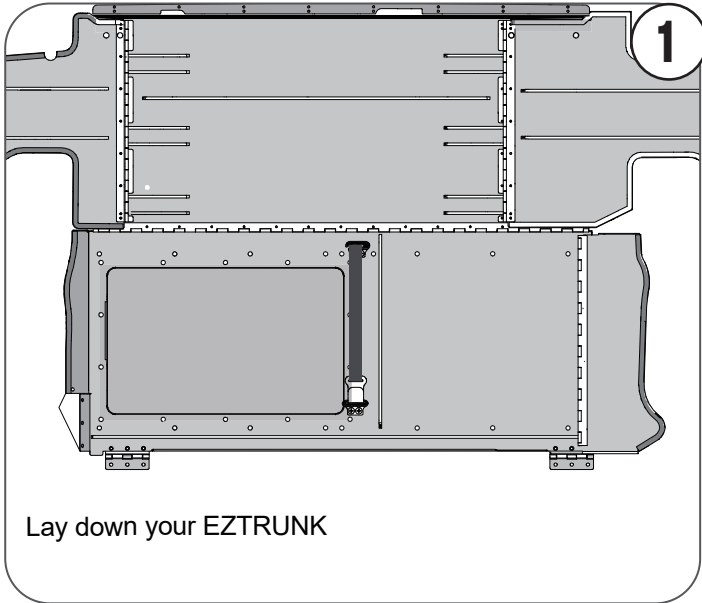
Please read instructions fully before beginning assembly

NO	Illustration	Description	Part #	QTY.
1		Driver Side Gun Holder	195706	1
2		Passenger Side Gun Holder	195707	1
3		Bolt M6x8mm	66081	8
4		Metal Washer - Black	1806012	8
5		Bolt With Plastic Final	06081	4
6		Allen Wrench For Wing Clamp	60472	1
7		Alcohol Pad For Plastic Block	10075	1
8		Velcro With Loop	#251	2
9		Wrench	#10	1
10		Rubber Pad insulator This is for Noise Suppression where needed	11203	6
11		Drill Bit	#7	1

RECOMMENDED TOOLS

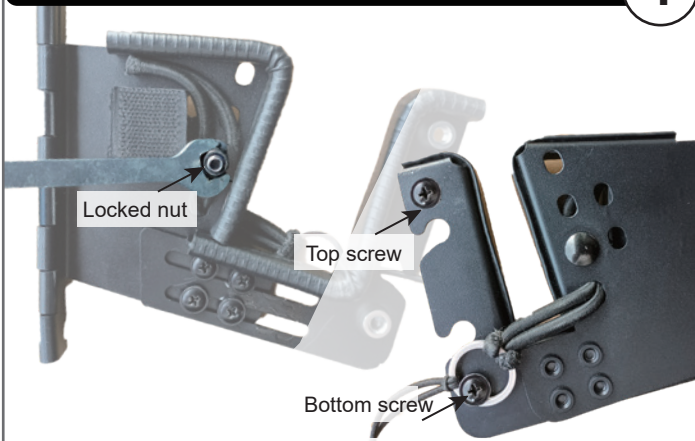


**DO NOT USE ELECTRIC TOOLS! THIS WILL CAUSE SCREWS TO STRIP!
USE SCREW DRIVER, DO NOT OVER TIGHTEN.**



Adjust Bungee Tension

4



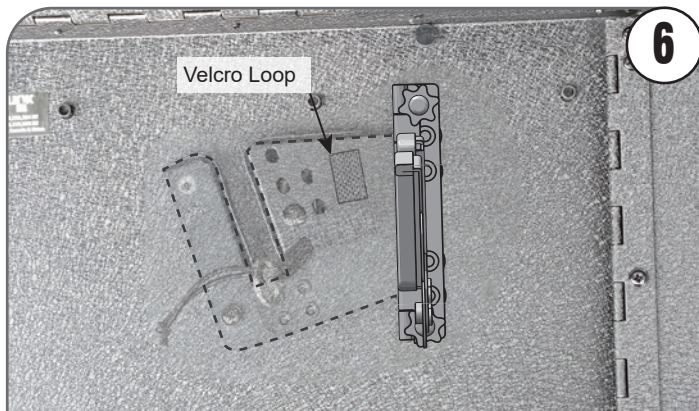
Loosen locked nut a little, Pull the bungee to hook the ring to the screw with right tension to hold the gun. You can hook Bottom screw or Top screw.

5

66081 1806012
66081 1806012

Back Panel of EZTRUNK

1. Use Drill bit to make the hole on back panel
2. Use 2 blots and 2 washers assemble gun holder to the EZTRUNK



1. Use the alcohol wipe to clean the Velcro go area on back panel. Make sure it is dry after applying the Velcro Loop side on the panel.
2. Make sure it is right location for Velcro Loop side when gun holder folded.

HOW TO USE GUN HOLDER

7

06081

1. Fold the gun holder up, use Bolt #06081 to fix in place
2. Unclip the bungee

8

1. Hook the gun on both side holder
2. Clip the ring to the screw

GUN HOLDER FOLDED

9

1. Take out the gun
2. Unfold the gun holders and screw back Bolt #06081 to same hole.

Customer Service

Any question call

Call 203-901-0055 / 203-591-9060
EMAIL US: SERVICE@EZTRUNK.NET

7 Day a week 8:30 am EST