

# Kleiss MCS60-1016 System Kleiss Gastool® Stainless Steel Saddle Fitting Specifications

## PART NUMBERS / FITTING DETAILS

Part Number	Nominal CI Pipe Diameter	Pipe Range	T-Pipe Flanged Outlet	Length (L)
90502180	12"	12.99" - 13.98"	4" 150#	23.62"
90502210	16"	16.54" - 17.32"	4" 150#	23.62"
90502220	16"	17.32" - 18.31"	4" 150#	27.56"

\* Additional sizes available \*

**Bolt Connections:** According to ISO4017A2 / DIN933A2 / DIN6334A2 / DIN6334A2

**Bolt Torque Specification:** 90 lb-ft

**T-Pipe Outlet:** According to ANSI 16.5

**Fitting Material:** AISI / ASTM 304 / 1.4301

**Sealing Ring:** NGW-70 EN 682 type GBL

**Added Rubber Material (Isolation):**  
Neoprene DIN 53504 / DIN 53507

**Temperature Range:** -40° F to 230° F

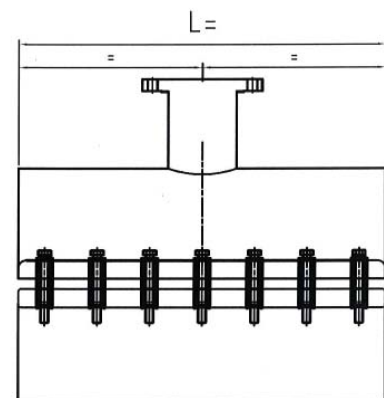
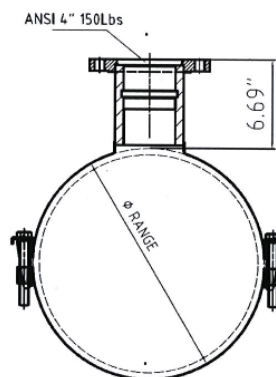
**Locking Plug:** AISI / ASTM 304 / 1.4301,  
DELFIN with NBR O-ring seal

**Blind Flange:** Stainless steel

**Bolts and Nuts:** Stainless steel, 5/8" x 4", 5/8" hex

**Tested Pressure:** 120 psi

**Maximum Allowable Operating Pressure:** 60 psi



Distributed by: