

# Kleiss MCS60-2 System Kleiss Gastool® PVC Fitting Specifications

## PART NUMBERS / FITTING DETAILS

Part Number	Nominal Pipe Diameter	Pipe Range	Length (L)
90004200	2"	2.375" (60.32 mm)	4.33" (110 mm)

**Use:** PVC pressure pipe

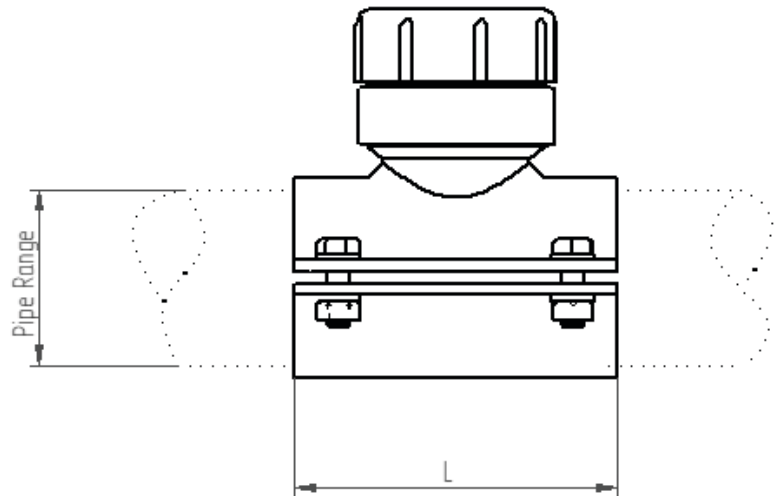
**Material:** Steel Structural

**Bolts and Nuts:** Stainless steel, 1.4301 A2

**Sealing Rings:** NBR

**Tested Pressure:** 160 psi

**Maximum Allowable  
Operating Pressure:** 100 psi



Distributed by: