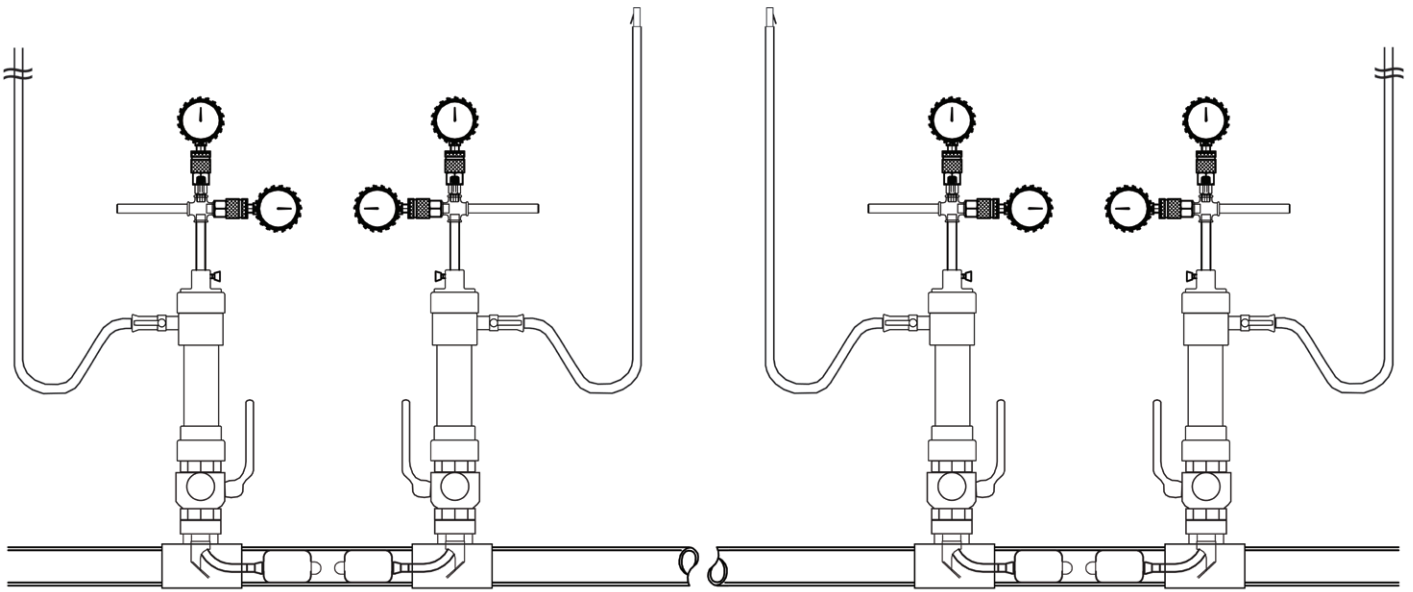




# Kleiss MCS60-2 System Manual

**Flow Stopping System / 2" up to 60 psi**





## **Kleiss MCS60-2 System Overview**

The Kleiss inflatable stopping systems meet the needs of the North American Natural Gas LDCs by providing a flow control system that is easy to use and effective at stopping off flow in various pipe materials and a wide range of pipe diameters.

The Kleiss MCS60-2 System consists of four major components:

1) fitting to access the pipe, 2) tapping / completion tool, 3) inflatable stopper, and 4) stopping tool.

The Kleiss MCS60-2 System (all tools) has a maximum operating pressure of 60 psi. The inflatable stoppers have a design safety factor of 3. The balance of the tools have a design safety factor of 2.5.

The Kleiss MCS60-2 System is designed to handle flow control on pipe sizes up to 2” on PVC and steel pipe. See Section 4.0 to identify and install the correct components before operating the equipment.

When working on non-metallic pipe materials, make sure the equipment is grounded per your company operating practices.

*(Kleiss & Co., who developed the system, has reviewed and approved this manual.)*

## **Table of Contents:**

1.0 General Safety Information: .....	2
2.0 System Specifications: .....	2
3.0 Typical Site Set Up and Sequence: .....	4
4.0 Equipment: .....	9
5.0 Preparatory Steps: .....	15
6.0 Tapping Operation: .....	15
7.0 Stopping Operation: .....	21
8.0 Retrieving MDS Stopper: .....	29
9.0 Plugging Operation: .....	33
10.0 General Maintenance: .....	37
APPENDIX A: Stopper Testing and Verification.....	38
APPENDIX B: Tower Positioning and Distances .....	40
APPENDIX C: Manual Updates.....	44

## 1.0 General Safety Information:

**NOTE:** Before using the Kleiss MCS60-2 System make certain you read the instruction manual completely and are comfortable and familiar with the operation of the tools. If you have any questions, concerns or feel there is conflicting information, please contact Mainline Control Systems (MCS) before proceeding at 844-FLO-STOP.

**NOTE:** The purpose of the Kleiss MCS60-2 System is to tap and stop flow in 2” natural gas lines operating at a maximum of 60 psi. Review and follow your company safety procedures for operations involving tapping and stopping live natural gas lines.

**NOTE:** When operating the Kleiss MCS60-2 System on non-metallic lines, please follow company procedures for grounding equipment for discharge of any static electricity.

## 2.0 System Specifications:

### 2.1 General

A) Pipe diameter = 2” (2.375” OD)

B) Pipe material of PVC or steel

C) Maximum operating pressure of 60 psi

**NOTE: Tools are designed and built with a safety factor to allow +10% (+6 psi) for operation on 60 psi MAOP systems or in abnormal operating conditions.**

D) Tool to fitting connection of 2” BSP threads

### 2.2 Tapping Tool and Completion Tool Kit Specifications

A) Maximum operating pressure of 60 psi (see NOTE in 2.1C)

B) Cutters available

a) 1.54” PVC [Part #13100050]

b) 1.54” Steel [Part# 13200120]

C) 1/4” (6.3 mm) pilot drill used for all materials [Part #15001055]

D) Weights

a) Tapping tool with cutter ~ 8 lbs.

b) Completion tool without completion plug attached ~ 7 lbs.

c) Shipping weight in case ~ 22 lbs.

E) Dimensions

a) Tapping tool height with cutter ~ 20”

b) Completion tool height ~ 14”

c) Storage case ~ 23” length x 16” width x 8” height

### 2.3 Stopping Tool Kit Specifications

- A) Maximum operating pressure of 60 psi (see NOTE in 2.1C)
- B) Weights
  - a) Stopping tool ~ 8 lbs.
  - b) Ball valve ~ 7 lbs.
  - c) Shipping weight in case ~ 49 lbs.
- C) Dimensions
  - a) Stopping tool height with stopper rod completely extended ~ 4 feet
  - b) Stopping tool height with stopper set ~ 2' 11"
  - c) Storage case ~ 47" length x 17" width x 7" height
- D) By-pass / vent port
  - a) 3/4" tap size in tool
  - b) 1" camlock male coupling

### 2.4 MDS Inflatable Stopper Specifications

- A) MDS Stopper size = 2" [Part #23100352]
- B) Inflation pressure of 120 psi or 2x system pressure if unable to achieve 120 psi by compressor or nitrogen
- C) Design burst pressure of 340 psi
- D) Operating temperature range of 5° F (- 15° C) to 140° F (60° C)
- E) Maximum temperature range of 158° F (70° C) for up to 30 minutes

### 2.5 Vent Stack Specifications

- A) Height assembled ~ 112"
- B) 1" camlock male coupling
- C) Air hose to venturi connection
- D) Hose (standard) of 10 m, 1" camlock connection F x F
- E) Ground rod included
- F) Weight (less hose) ~ 27 lbs.
- G) Air supply and flow capacity rates =

Air Supply		Flow Capacity
Working Pressure (PSI)	Air Consumption (ft <sup>3</sup> /min)	Blow Out Volume (ft <sup>3</sup> /hr)
80	13	24300
120	13	21200

## 2.6 Hand Pump (Pressure and Vacuum Pump)

- A) 1 positive pressure connection
- B) 1 negative pressure (vacuum) connection
- C) 10 foot air hose with quick disconnects included
- D) Weight ~ 12 lbs.

## 2.7 Maximum Flow Rates

- A) Maximum design flow rate = 60 ft/sec (18.288 m/sec)
- B) For reducing speed, use by-pass / vent port

**NOTE: The system is designed to be used in controlled stop off applications, and is not intended to be used to stop flows in severely ruptured pipes. Flow should be reduced before attempting stop off.**

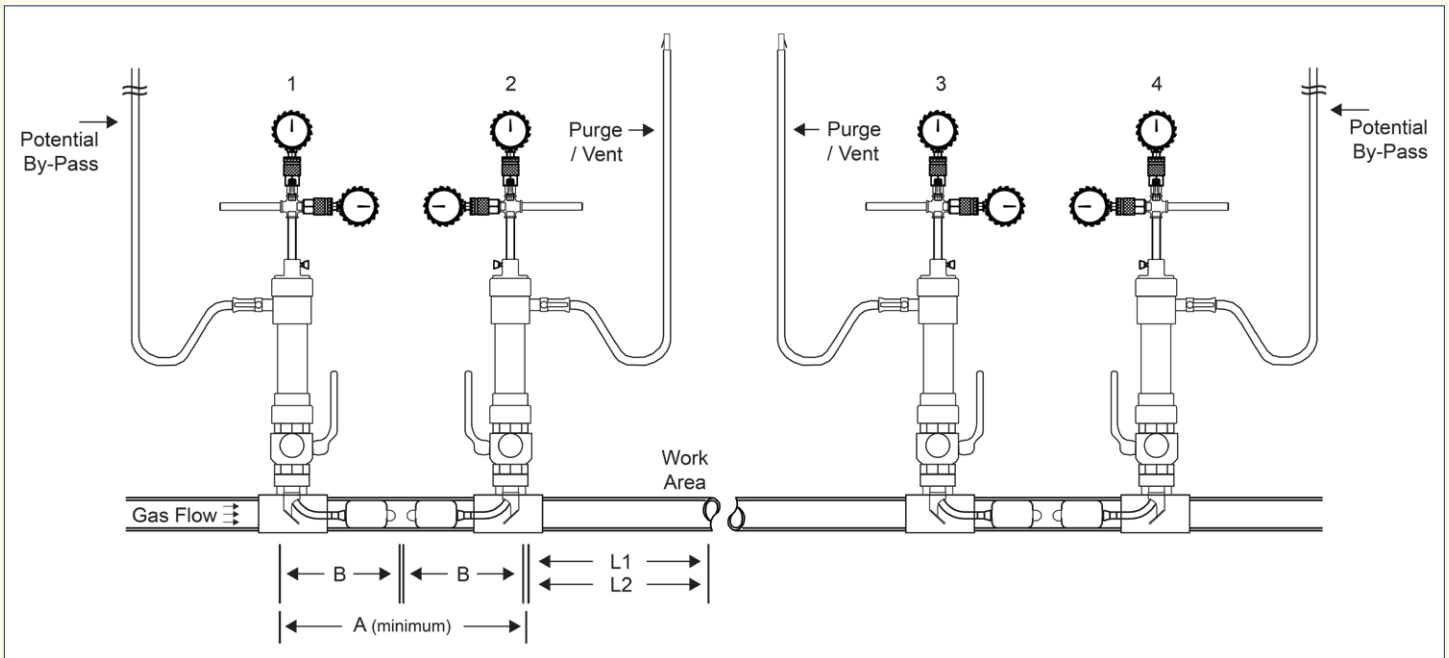
## 3.0 Typical Site Set Up and Sequence:

It is important to understand the MCS stopping tools and their operation completely. It is also important to understand the complete job and sequence of steps to perform a safe stop. Safety of the operators on the job site is the most important factor so pre-plan the whole job including the stopping and retrieval sequences.

The following examples are typical installations. Example I (yellow background) illustrates stoppers positioned towards each other. Example II (blue background) illustrates stoppers positioned away from the work area. Both configurations work equally well. For additional set up illustrations, see Appendix B or contact your distributor / MCS representative.

Remember to consider the ancillary steps like purging / venting the area to be worked on and back pressuring stoppers for removal. The features of the MCS60-2 offer options to make these processes efficient.

## Example I – Stopping Sequence: Stoppers Positioned Towards Each Other (Most Flexible)



### STOPPING TOWER DISTANCES

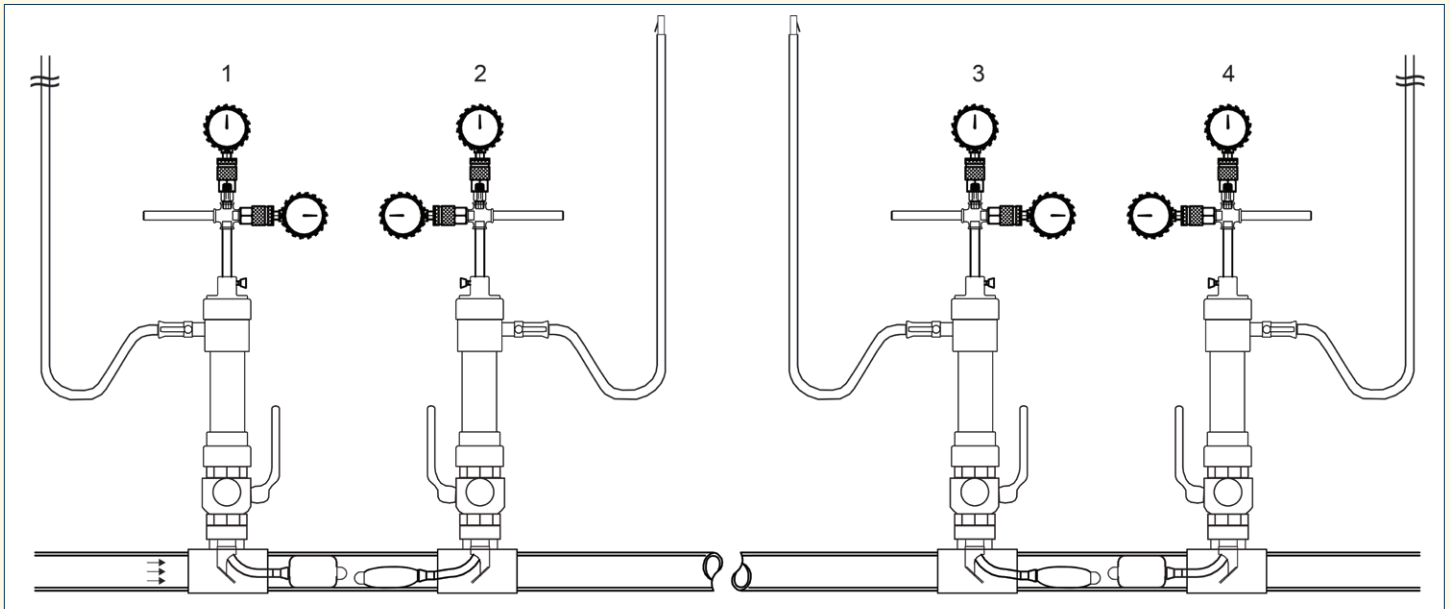
Nominal Pipe Size	A (minimum)	B	L1 = Steel Welding	L2 = PE, CI, and Mechanical
2"	28"	14"	36"	11" *

*A = minimum distance between towers | B = stopper length | L1 = minimum distance from stopper/tower to work area  
L2 = distance from stopper/tower to work area (\* measurement is a guide only, follow manufacturer's fitting recommendations)*

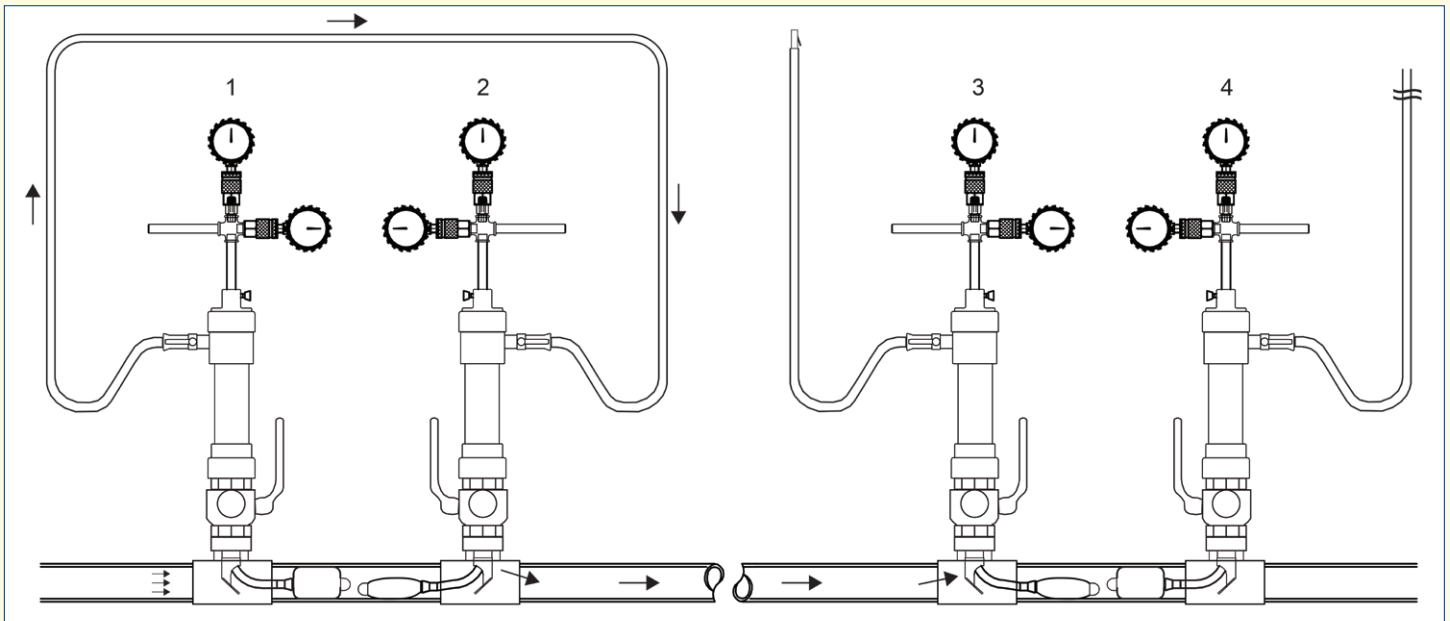
- 1) If a by-pass in the work area is being used (through our MCS tool or another), initiate the by-pass flow first.
- 2) Always insert first inflatable stopper WITH the flow of gas.
- 3) Always inflate the stopper as quickly as practical.
- 4) Suggested stopper setting sequence is tower #1, #2, #3, #4. Set all 4 stoppers.
- 5) First inflated stopper is now in a no flow condition. Reset stopper for best possible seal (deflate, reposition stopper rod, inflate).
- 6) Always allow stoppers to settle for 10 minutes prior to beginning pipeline work. This allows the stopper to acclimate to internal pipe conditions. Verify system pressures, inflation pressures, and any bleed-by before starting pipeline work. Adjust as necessary.
- 7) Use the by-pass / vent port on tower #2 or #3 to purge the work area. Utilize the MCS vent stack to assist in evacuating the work area. This connection can also be used to inject nitrogen into the work zone.
- 8) Keep by-pass / vent ports on towers #2 and #3 open to atmosphere during work to keep gas away from the work area. Follow company procedures for venting and purging gas.
- 9) This set up can easily be used on both single feed and dual feed systems.

## Example I – Stopper Retraction Sequence: Stoppers Positioned Towards Each Other

NOTE: Always equalize pressure on both sides of the stopper before deflation or removal.

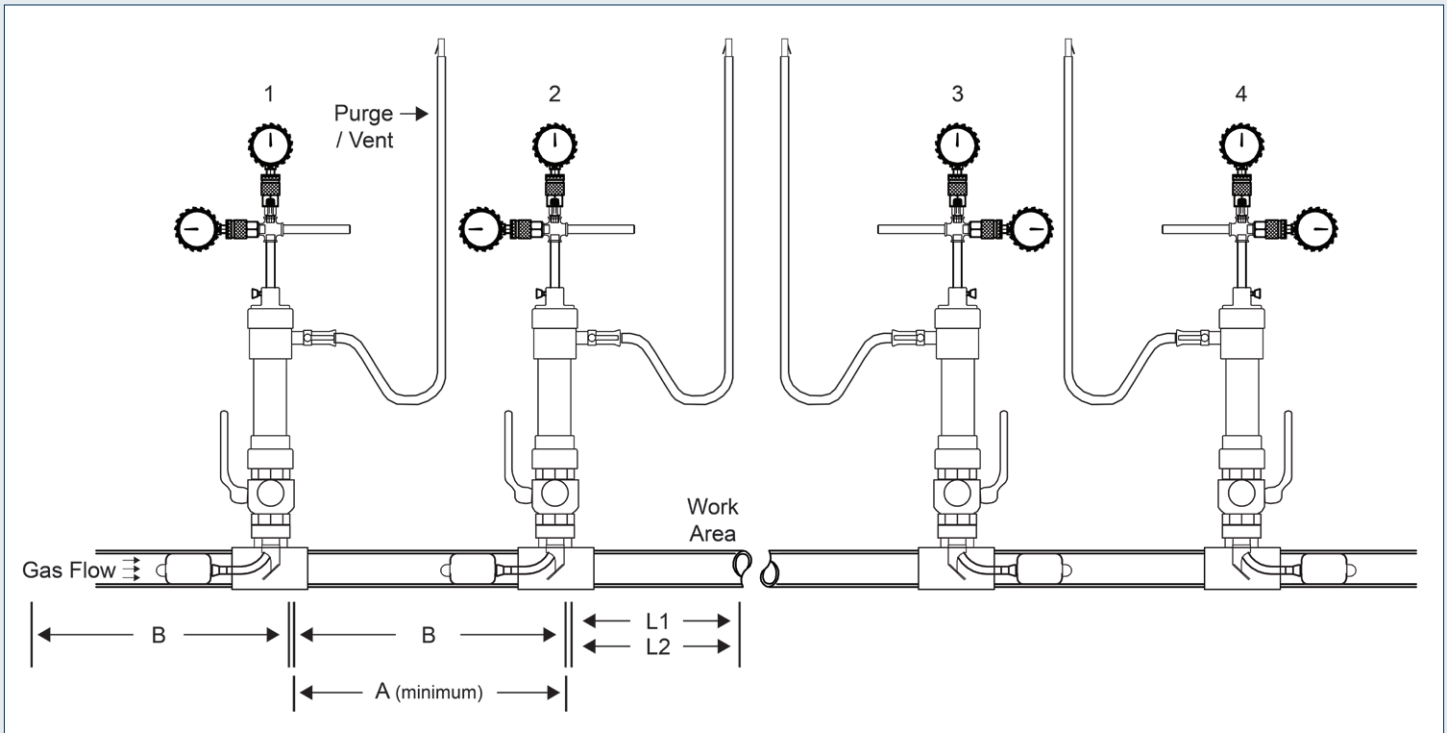


1) Deflate stoppers #2 and #3.



- 2) Use by-pass / vent ports on tower #1 and #2 to equalize pressures on stoppers #1 and #4. Equalize slowly.
- 3) Use by-pass / vent port on tower #3 to purge air from the repaired area.
- 4) Use system pressure gauge on tower #1, #2, #3, or #4 to determine if stoppers are equalized.
- 5) When pressure is equalized, deflate stoppers #1 and #4. Retract all stoppers.
- 6) Remove tools and install completion plugs.

## Example II – Stopping Sequence: Stoppers Positioned Away From Work Area



### STOPPING TOWER DISTANCES

Nominal Pipe Size	A (minimum)	B	L1 = Steel Welding	L2 = PE, CI, and Mechanical
2"	14"	14"	40"	10" *

*A = minimum distance between towers | B = stopper length | L1 = minimum distance from stopper/tower to work area*

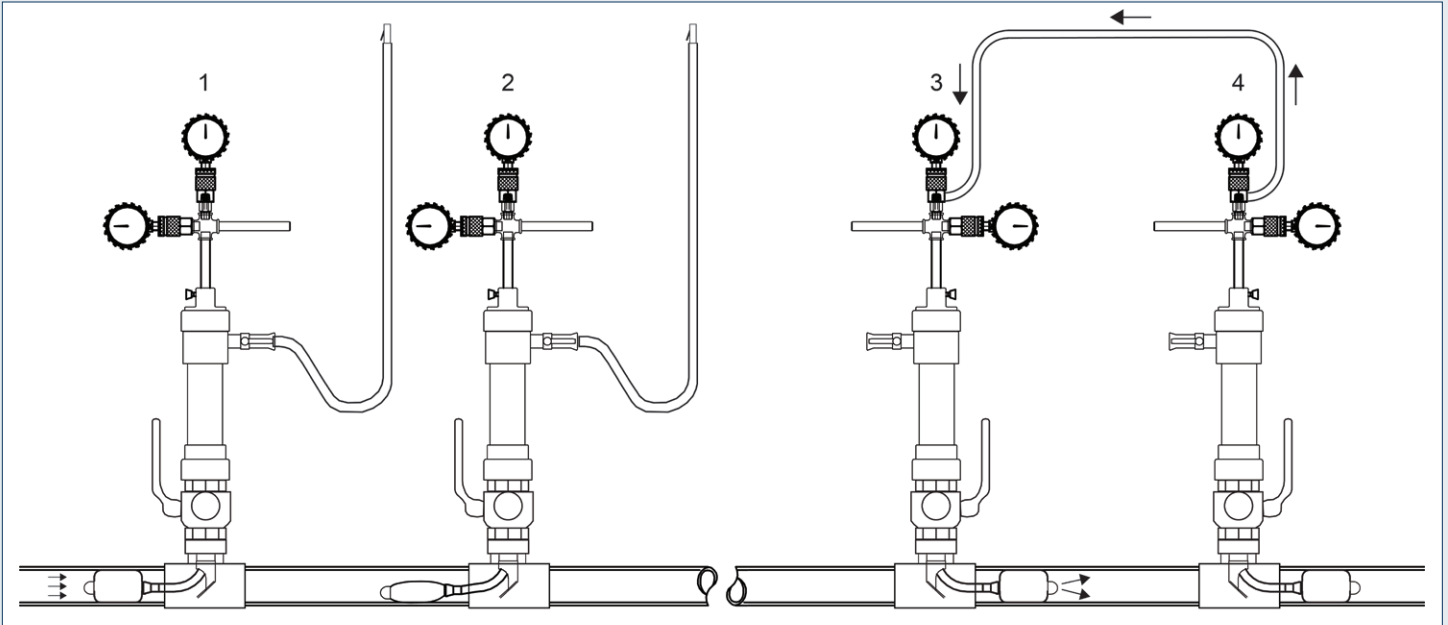
*L2 = distance from stopper/tower to work area (\* measurement is a guide only, follow manufacturer's fitting recommendations)*

- 1) If a by-pass in the work area is being used (through our MCS tool or another), initiate the by-pass flow first.
- 2) Always insert first inflatable stopper WITH the flow of gas.
- 3) Always inflate the stopper as quickly as practical.
- 4) Suggested stopper setting sequence is tower #3, #4, #2, #1. Set all 4 stoppers.
- 5) First inflated stopper is now in a no flow condition. Reset stopper for best possible seal (deflate, reposition stopper rod, inflate).
- 6) Always allow stoppers to settle for 10 minutes prior to beginning pipeline work. This allows the stopper to acclimate to internal pipe conditions. Verify system pressures, inflation pressures, and any bleed-by before starting pipeline work. Adjust as necessary.
- 7) Use the by-pass / vent port on tower #2 or #3 to purge the work area. Utilize the MCS vent stack to assist in evacuating the work area. These connections can also be used to inject nitrogen into the work zone.
- 8) Keep all by-pass / vent ports on towers open to atmosphere during work to keep gas away from the work area. Follow company procedures for venting and purging gas.

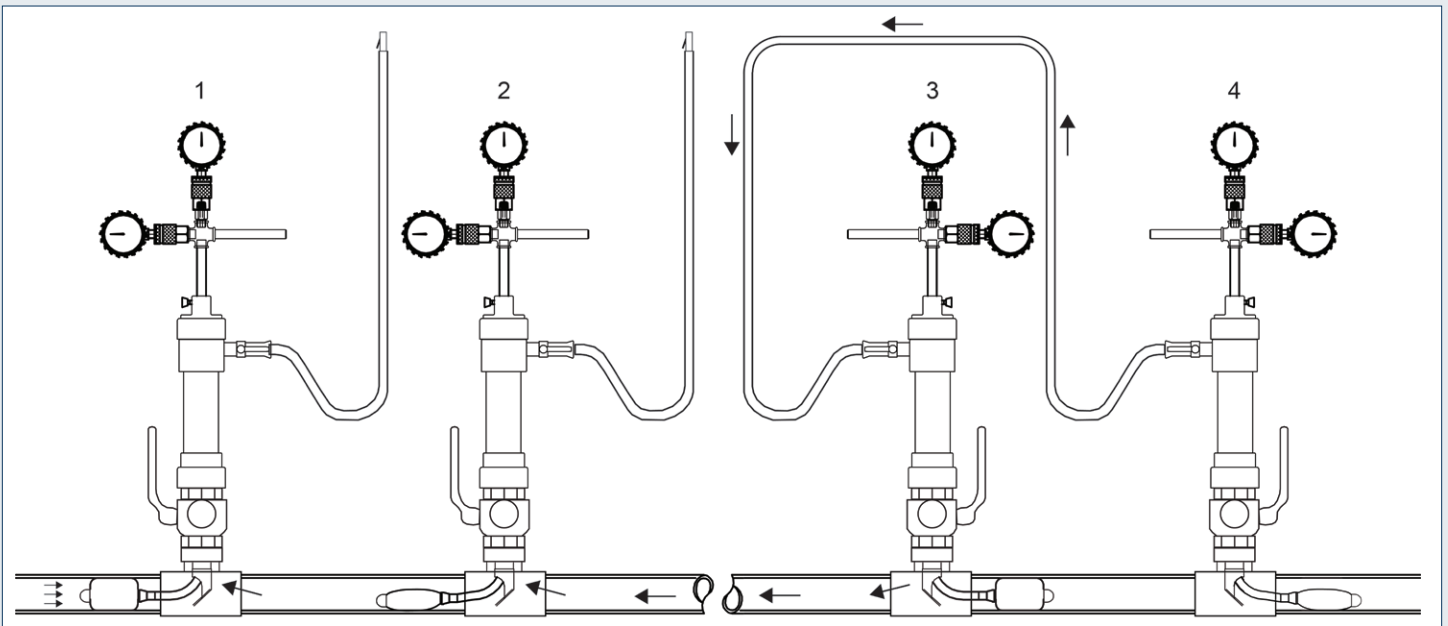


## Example II – Stopper Retraction Sequence: Stoppers Positioned Away From Work Area

NOTE: Always equalize pressure on both sides of the stopper before deflation or removal.



- 1) Deflate stopper #2.
- 2) Back pressure stopper #4 through the system pressure ports in towers #3 and #4.



- 3) Deflate stopper #4.
- 4) Equalize pressure on stoppers #1 and #3 through the by-pass / vent port between towers #3 and #4.
- 5) Use the by-pass / vent port in tower #1 or #2 to purge air from repaired area.
- 6) Use system pressure gauge on tower #1 or #2 to determine stoppers are equalized.
- 7) Deflate and remove stoppers.
- 8) Remove tools and install completion plugs.

NOTE: For additional set up illustrations, see Appendix B.

## 4.0 Equipment:

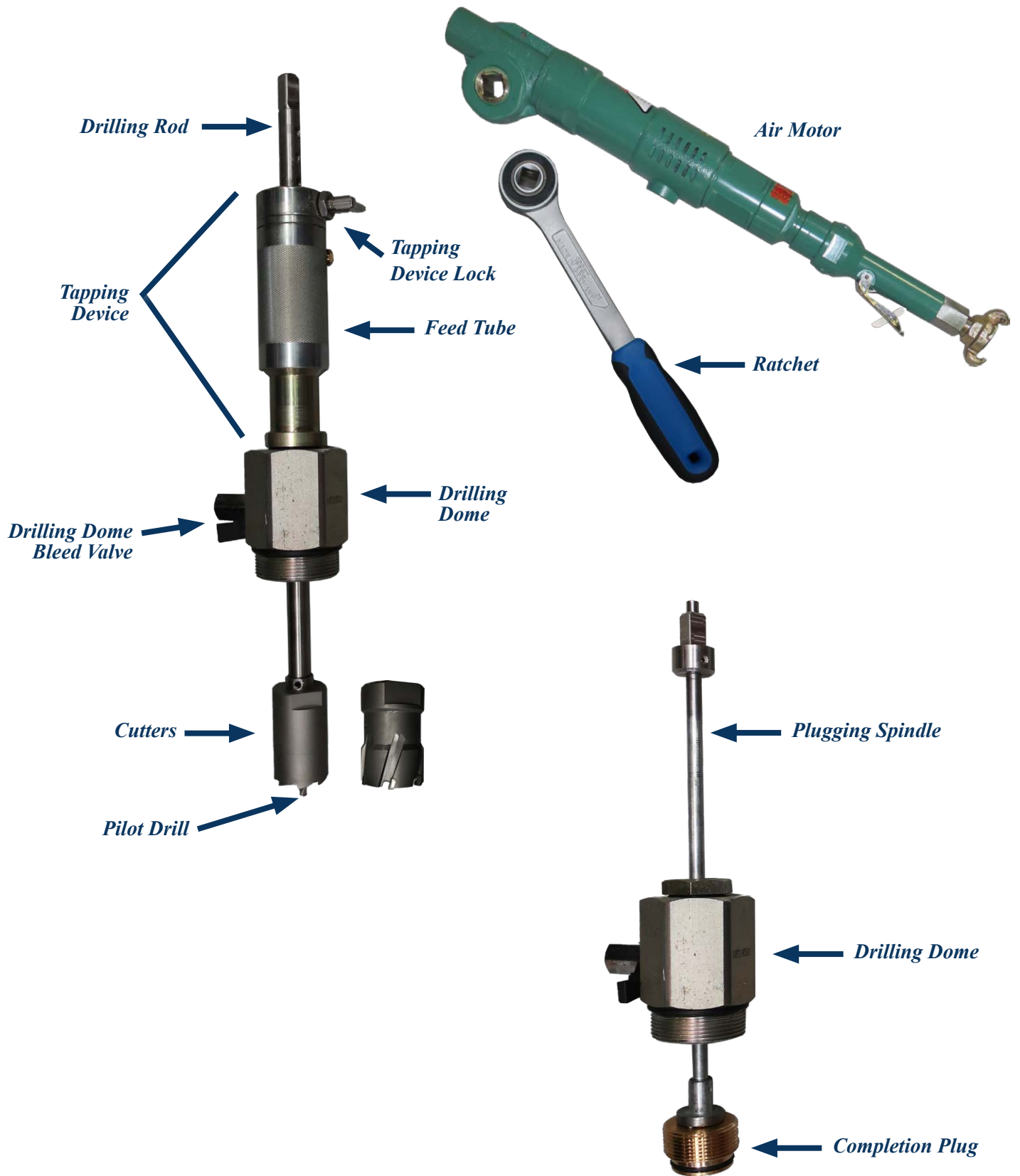
### Tapping Case [Part # MCSTK060-2-001]:



	PART #	DESCRIPTION
1)	10800248	Air Motor
2)		Test Cap Assembly 2"
3)	13200120	Steel Cutter (1004 39mm)
4)	13100050	PVC Cutter (1003 39 mm)
5)	94200020	Silicone Grease Canister
6)		Hook Wrench
7)	10310581	Air Motor Adapter
8)	10500082	Drilling Rod (430 mm / 19.90")
9)	14300060	Pilot Drill (6.3 mm with retainer spring)

	PART #	DESCRIPTION
10)	14300060	Pilot Drill (6.3 mm with retainer spring)
11)	13200098	Coupon Remover (3/8")
12)	10310851	Hot Tapping Dome 2"
13)		Hexagonal Key (13.78")
14)	95400030	Plug Spindle (350 mm)
15)	11000070	Ratchet (1/2")
16)	10310225	Spare O-Ring Set
17)	10310600	Hot Tapping Tool (LB493-C)
		Case + Foam Interior

# Tapping Tool and Completion Tool Components:



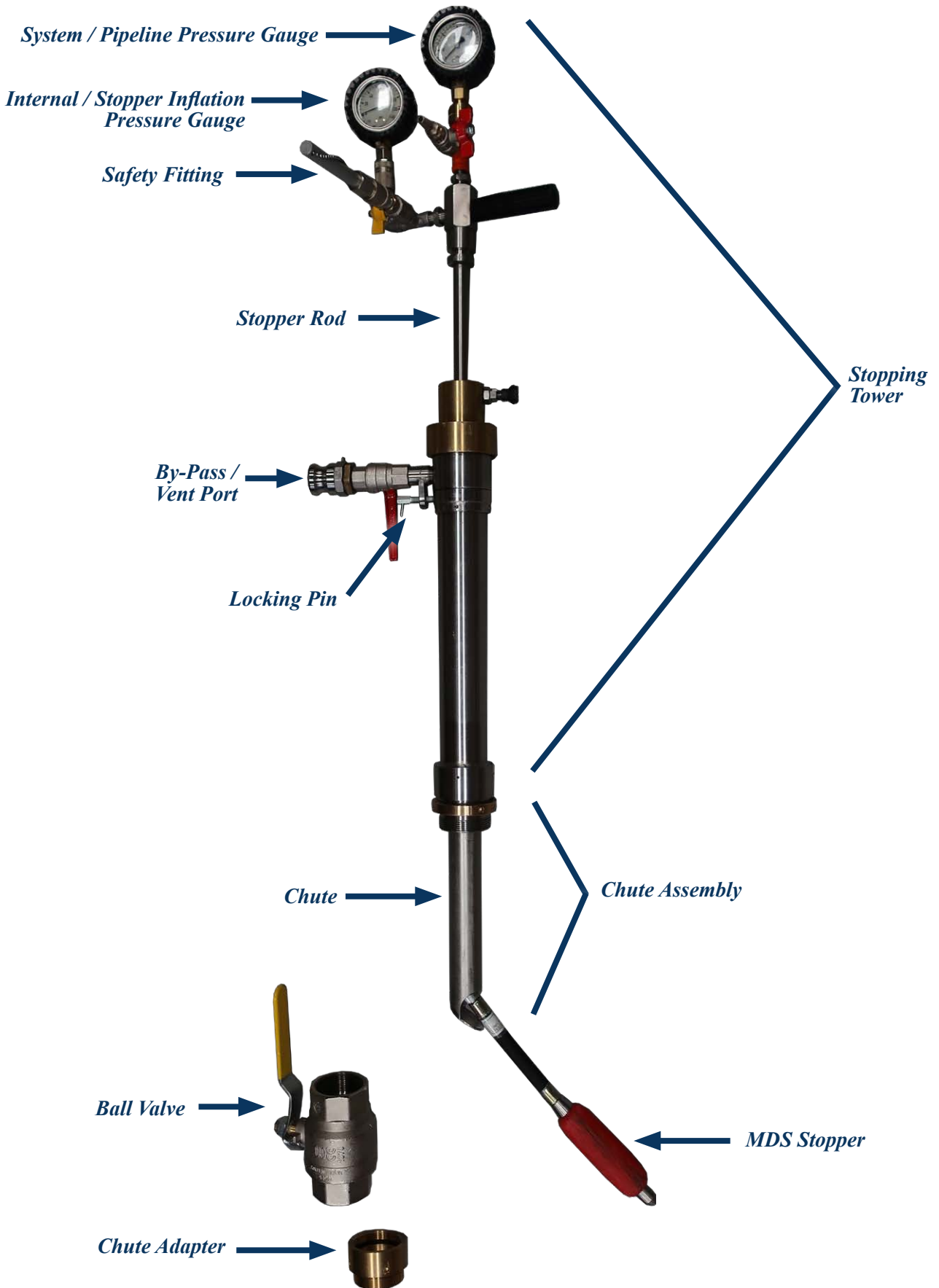
## Stopping Case [Part # MCS060-2-001]:



	PART #	DESCRIPTION
1)	12252000	Stopper Rod
2)	11005325	Hook Assembly Wrench (68-75 mm)
3)	11000210	Wrench (27 mm)
4)	11000210	Wrench (27 mm)
5)	94200020	Silicone Grease Canister
6)	12100740	Safety Fitting (silver)
7)	97200010	Silicone Grease Aerosol

	PART #	DESCRIPTION
8)	12100750	Spare Gasket Seal Set
9)	12253050	Adapter Ring (2" inner / 2" outer)
10)	12250000	Flow Stopping Tower MCS60-2
11)	99001160	Ball Valve 2"
12)	12100023	Line Pressure Gauge (0 to 60 psi)
13)	12100022	Inflation Pressure Gauge (-15 to 140 psi)
		Case + Foam Interior

## Stopping Tool Components:



## MDS Stoppers:



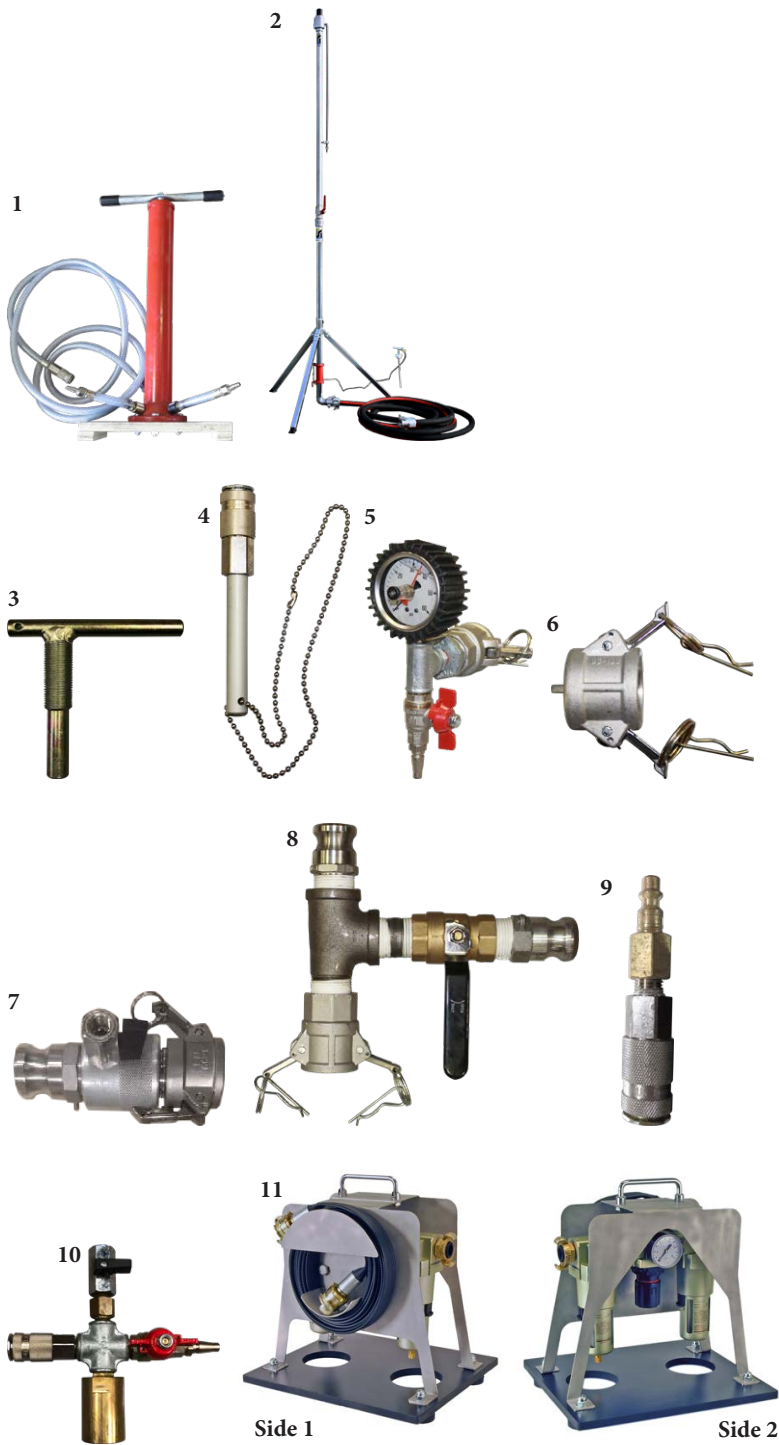
	PART #	DESCRIPTION
1)	23100352	MDS Stopper Size 2"

## Fitting / Completion Plug / Completion Cap:

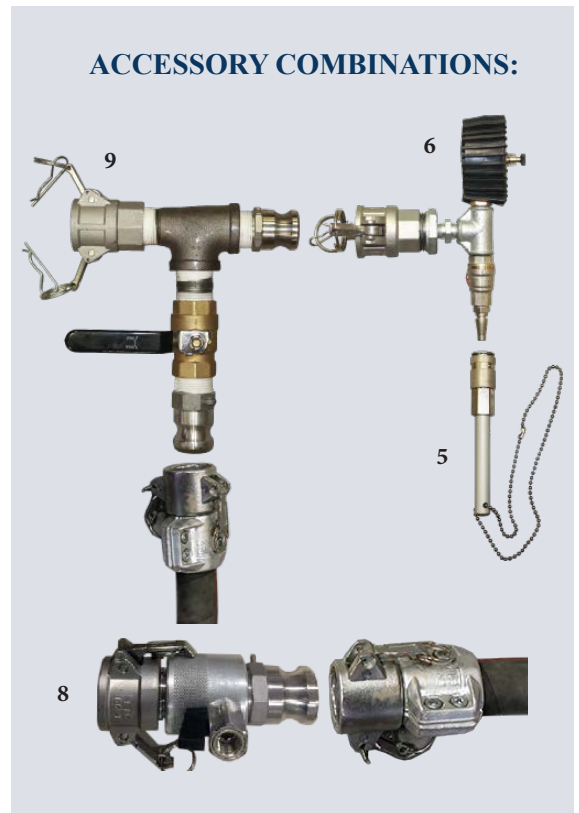


	PART #	DESCRIPTION
1)	90004200	2" PVC Fitting (2.375" OD)
2)	11009039	2" Steel Weld Fitting

**Accessories:**





	PART #	DESCRIPTION
1)	22500011	Hand Pump with Hose
2)	59003176	1" Vent Stack with Hose
3)	13200098	Coupon Remover (3/8" Connection)
4)	12100740	Safety Fitting (Silver)
5)	BPGT-1	By-Pass Gauge Tree
6)	BPC-1	By-Pass Cap
7)	BPVA-1	By-Pass Vent Adapter
8)	BPT-1	By-Pass Tee Assembly
9)	AHA-1	Air Hose Adapter
10)	12100221	MDS Stopper Test Adapter
11)	49101380	Air Motor Oiler / Water Separator Unit (Complete)



## 5.0 Preparatory Steps:

<input type="checkbox"/>	Make certain proper MDS Stopper is available.
<input type="checkbox"/>	Make certain proper fitting is available.
<input type="checkbox"/>	Attach selected fitting, based on pipe material, per company standards and specifications.
<input type="checkbox"/>	For PVC applications, if pipe is brittle, an additional repair clamp may be necessary for support. Install the repair clamp next to the fitting in the area where the stopper will be inflated.
<input type="checkbox"/>	Before welding steel fitting on main, remove the completion cap and plug from fitting.
<input type="checkbox"/>	When welding, if there is concerns about warping the fitting, install test cap assembly on fitting with valve open to vent heat.
<input type="checkbox"/>	Pressure test attached fitting per company standards and specifications.

## 6.0 Tapping Operation:

<p><input type="checkbox"/> Mount the ring adapter onto the fitting and tighten the ring by means of the hooked wrench. Tighten completely.</p>	
<p><input type="checkbox"/> Position the valve so that when the valve is open the handle is up.</p> <p>Install the ball valve onto the adapter ring of the fitting and tighten the valve by hand to compress the o-ring.</p> <p>Operate the valve to ensure smooth operation.</p>	



❑ Take the hot tapping device out of the case and inspect the device for dirt and debris. Make sure the threads are clean and the device operates freely.



❑ Visually inspect the drilling dome and verify o-ring is in place.



❑ Attach the drilling dome to the hot tapping device. Tighten by hand until o-ring on bottom of tapping device is compressed.



❑ Attach pilot drill to drilling rod. Secure pilot drill with allen wrench. Then attach cutter.

Figure A:  
PVC cutter [13100050] and pilot drill [15001055].

Figure B:  
Steel cutter [13200120] and pilot drill [15001055].

For best results and life of the pilot drill, designate one pilot drill to be used specifically for PVC and one specifically for steel applications.



❑ If cutting through steel, grease the cutter and pilot drill with the cutting grease for better drilling results.



❑ Grease rod with silicone grease for a smooth installation. Then, install the drilling rod through the hot tapping device and dome.



❑ Retract the drilling rod and cutter completely into the drilling dome. No part of the cutter should be visible.

When retracted into the drilling dome, the cutter should be in the position as shown in the picture.



❑ Install the complete tapping tool onto the ball valve and tighten the tool.

When doing this, make certain the valve doesn't inadvertently turn.



❑ Position feed tube so it is flush with the bottom thread.

❑ Make sure the ball valve is open. (The ball valve is open if the handle is in an upward position.)

- ❑ Hold the drilling rod firmly so it doesn't drop, pull out the bayonet lock on tapping device.

Carefully lower drilling rod until pilot drill touches the surface of the pipeline to be tapped.

When doing this, make sure the bayonet lock is in a free position and does not lock into the drilling rod.

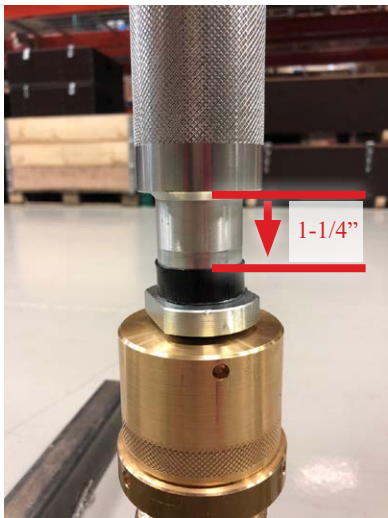


- ❑ After the pilot drill is in contact with the pipeline, lock the feed tube to the drilling rod at the closest hole on the drilling rod using the bayonet lock. Do this by either rotating the feed tube until it locks in place or pulling up on drilling rod.



- ❑ Locate the maximum drilling depth by measuring 1-1/4" down from the bottom of the feed tube.

Place a mark on the brass tapping tube.



- ❑ Rotate the feed tube counterclockwise until 3 additional threads are exposed. (This ensures the pilot drill is not on the pipe and is in the proper position to start drilling.)



- ❑ For PVC, place ratchet on drilling rod and use ratchet to turn drilling rod clockwise.

For Steel, use air motor adapter, part # 10310581 (Refer to section 4.0) and place air motor on drilling rod square.

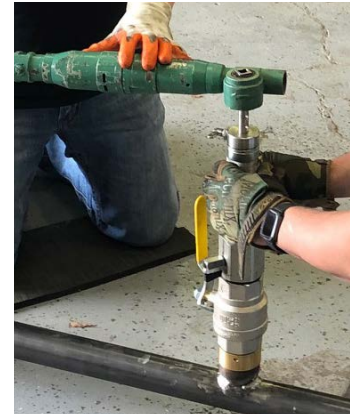
Operator should ensure the air compressor is working properly at 90 psi measured at the inlet of the air motor. Air volume through the motor should operate the air motor at 22 RPM's load speed (cut) & 40 RPM's free speed (non-cut).

Make certain the oiler / separator is in place.

NOTE: If issues with air motor occur, tapping can be completed by hand using the ratchet.

While the drilling rod is rotating clockwise slowly hand feed the cutter downward by turning the feed tube clockwise to cut the pipe.

(Do not feed the cutter too quickly and cause a bind and potential cutter breakage.)

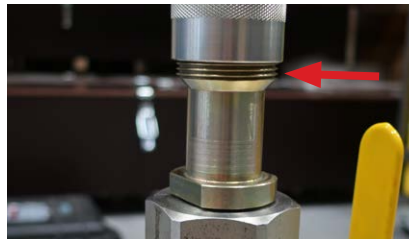


- ❑ The tapping procedure is finished when the drilling rod can rotate without any resistance.

NOTE: You will feel less resistance twice - once in the beginning when the pilot drill has perforated the pipe wall and secondly when the cutter is completely through.

- ❑ To retract cutter and coupon, continue spinning the drilling rod clockwise while rotating the feed tube counterclockwise until you have reached the starting position with 3 threads exposed.

***(NEVER turn the drilling rod counterclockwise. This can damage the cutter.)***



**☐ WARNING: Always control the drilling rod.**

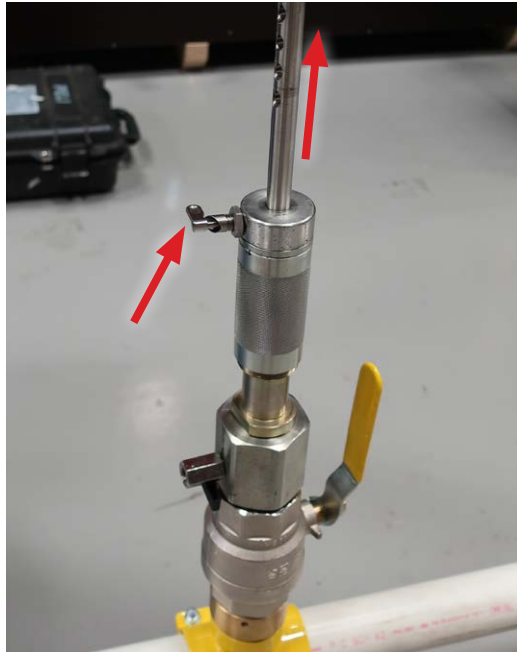
Free the drilling rod by unlocking the bayonet lock. Then pull the drilling rod completely upwards above the ball valve.

*(If assistance to get the cutter out is needed, turn the drilling rod clockwise.)*

*(NEVER turn the drilling rod counterclockwise. This can damage the cutter.)*

*(Be aware of the fact that the pressure inside the pipeline may automatically move the rod upwards. Avoid being above the rod with your hands or face.)*

**WARNING: Always control the drilling rod.**



**☐** Close the ball valve.



**☐** Release pressure from the dome by opening bleed valve.

**☐** Remove the complete tapping tool from the ball valve.

When doing this, make certain the valve doesn't inadvertently turn.



**☐** Disassemble the tapping tool.

The cutter should contain the drilling coupon. Use the necessary tools [Coupon Remover - 13200098] to remove the coupon from the cutter.



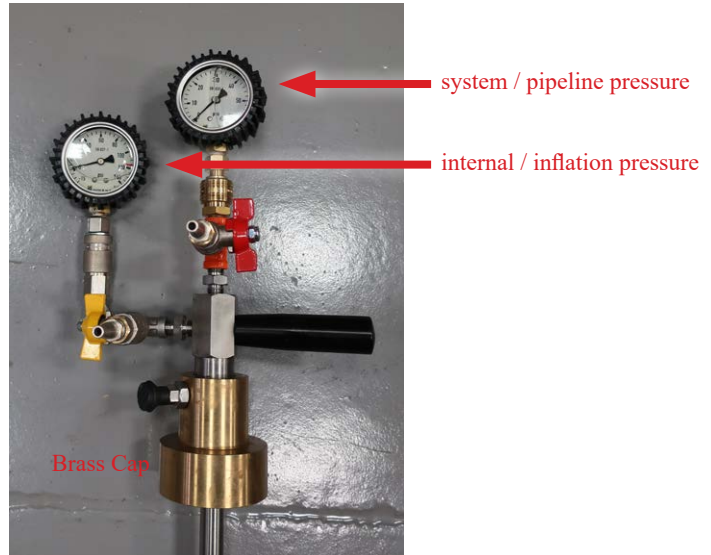
**☐** Clean and store tapping tool in its case.

## 7.0 Stopping Operation:

- ❑ Pull stopper rod out by unscrewing brass cap and pull rod all the way out.

- ❑ Attach the appropriate gauges on the appropriate couplings at the top of the stopper rod.

Each gauge has a specific function. The gold connection gauge will indicate the pressure inside the pipeline in front of the MDS Stopper. The silver connection gauge indicates the inflation pressure of the inflatable stopper.



- ❑ Verify that the coupling on the bottom of the stopper rod contains a gasket.

The gasket should be in good visual condition. The condition of the gasket can be verified when conducting the vacuum test on the stopper prior to inserting the stopper into the gas system.

NOTE: Extra stopper rod gaskets should always be available.

Never use the stopping tool if the gasket is not inside the coupling.

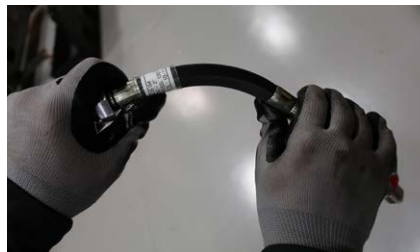


- ❑ Take the stopper and visually inspect that the stopper is in good condition without weak spots or concern for integrity.

(If the condition of the stopper is uncertain, refer to Appendix A for additional stopper testing and verification.)

Pre-bend the hose of the MDS Stopper as this will facilitate the positioning of the stopper into the pipeline through the chute.

NEVER pre-bend the MDS Stopper on the frame!!! This can damage the frame and it will not help as the internal frame is rigid.



- ❑ Attach the MDS Stopper onto the stopper rod.

Tighten the connection by means of a pair of wrenches. Always use two wrenches to ensure tight connection and seal.



- ❑ Connect hand pump to the stopper inflation connection on the top end of the stopper rod. (This is the offset connection.)



- ❑ With the valve open, pull a vacuum to -15 on the stopper to make it as compact as possible.



- ❑ Close the valve after evacuation.

- ❑ Verify negative pressure is maintained for 5 minutes to ensure seal and integrity of MDS Stopper and complete stopper rod.

This is what a well evacuated MDS Stopper looks like!



**ADDITIONAL STOPPER TESTING BY INFLATION:**  
 If additional stopper testing is desired, insert the stopper into a piece of pipe within the stopper's pipe ID range.

(Make certain the test set up is in a safe place where the open end of the test pipe is pointed away from people.)

Inflate the stopper to the maximum allowable pressure either by using the stopper rod or a MDS Stopper Test Adapter [12100221].

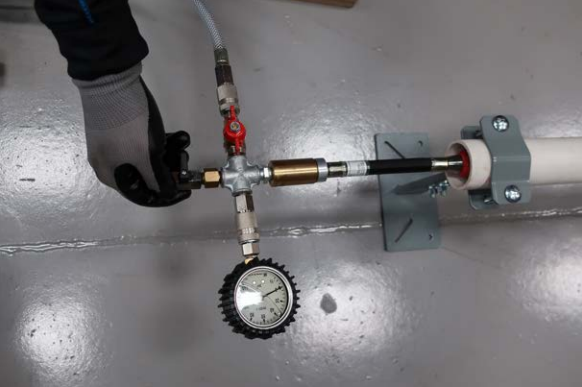
After the stopper stabilizes, wait a minimum of 10 minutes to make certain the same pressure is maintained within the MDS Stopper.

**NOTE: Do not inflate the stopper outside of a pipe as it can damage the stopper.**

*Using rod:*



*Using MDS Stopper Test Adapter:*



For proper MDS Stopper insertion into the pipeline, use Kleiss silicone spray to lubricate the stopper.



Spray the back of the stopper at the conical connection.

Spray the front of the stopper around the nose.

Do NOT spray the body of the stopper.

NOTE: If excess spray gets on the body of the stopper, clean off stopper with wet rag using only water.



Lightly spray the chute.





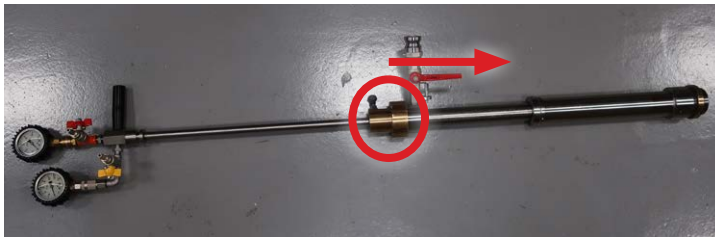
❑ Pull locking pin under by-pass port and slide dome down to cover the chute.



❑ Push brass cap to the bottom of the rod.



❑ Insert stopper rod with stopper attached into the top of the stopping tower.



❑ Tighten brass cap.

❑ Grease stopper rod.

❑ Verify ball valve is closed.

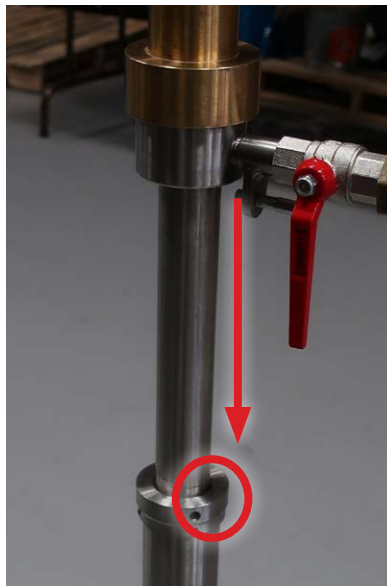
❑ Install the flow stopping tower onto the ball valve and turn the tower clockwise until some resistance is experienced.



- ❑ Position the stopping tower so stopper will be inserted into the correct position.
- NOTE: MDS Stopper is always deployed opposite of the by-pass / vent port.



- ❑ Make sure hole on dome is lined up with locking pin / by-pass port.



- ❑ Tighten the brass collar by means of the hooked wrench and make sure the MDS Stopper stays in the right position.
- When doing this, make certain the valve doesn't inadvertently turn.



❑ Close the valve of the by-pass / vent port.



❑ Open the ball valve and check for any leaks in the stopping tower. Use leak soap if necessary.  
  
Correct any blow-by or leaks before continuing stopping operation.



❑ Push brass cap on top of lance down until it bottoms out.

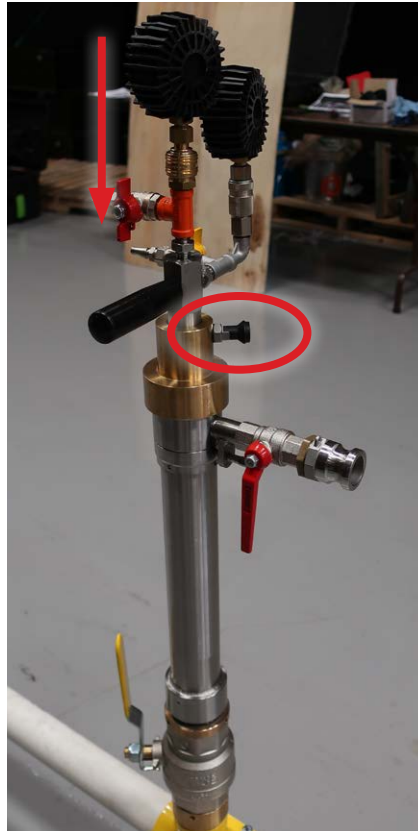


❑ Lock the tower at this position using locking pin. (The chute is now in the correct position inside the pipeline and you can commence inserting the stopper into the pipeline.)

- ❑ Push the stopper rod downwards. You may have to use a little force to do so. **Try NOT to rotate the stopper rod when inserting.**

Push all the way down.

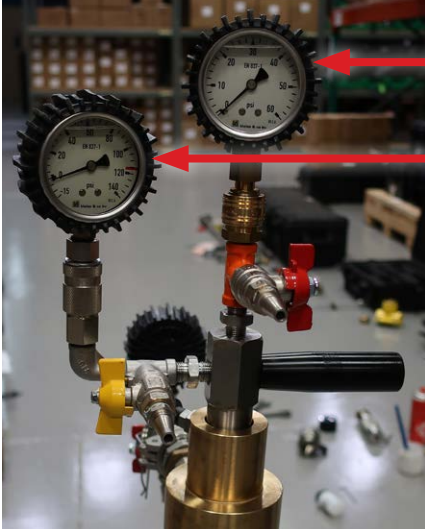
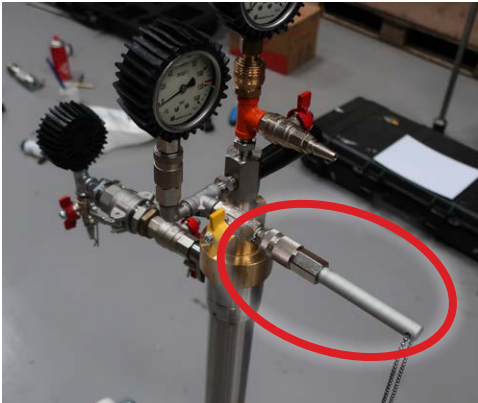

- ❑ Lock the stopper rod with black knob.



- ❑ *Recommended:* If needed or applicable, attach By-Pass Gauge Tree [BPGT-1] to by-pass / vent port.

NOTE: Additional options are available in the 4.0 Accessories section.



<p>❑ Prior to stopper inflation, verify system / pipeline pressure is displaying on proper gauge.</p> <p>The MDS Stopper inflation pressure gauge will be indicating a negative pressure.</p>	
<p>❑ Inflate the stopper to 120 psi via compressor or nitrogen source. Inflate stopper as rapidly as possible to ensure the best seal on pipeline wall.</p> <p>NOTE: If 120 psi is not obtainable or there is a concern about the physical condition of the pipe itself, then inflate to a minimum of 2 times system pressure to achieve stop off.</p>	
<p>❑ Install safety fitting on inflation pressure port.</p>	
<p>❑ Allow the stopper to stabilize inside the pipeline for at least 10 minutes.</p>	
<p>❑ Evacuate or purge pipeline work area. Use the bypass / vent port on tower and vent stack, if desired. (Do this in accordance with your gas company procedures.)</p>	
<p>❑ Verify inflation pressure and system pressure remains stable.</p>	
<p>❑ You may now start your work on the pipeline.</p> <p>NOTE: Continue to monitor gauges on stopping towers.</p>	

## 8.0 Retrieving MDS Stopper:

- ❑ **NOTE: Always equalize pressure on both sides of the stopper before deflation or removal.**

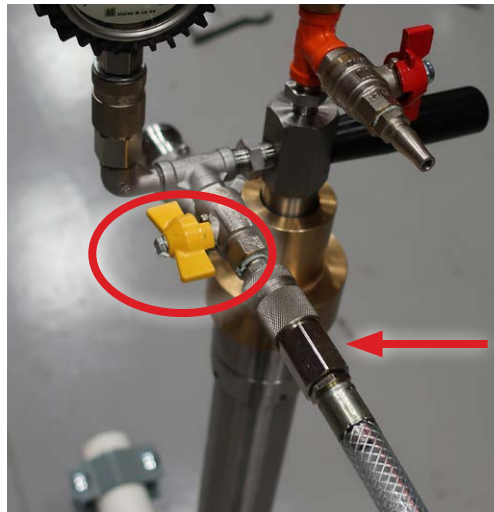
After the work on the pipeline is complete, equalize the pressure behind the MDS Stopper and in front of the MDS Stopper.

This can be done in a variety of ways. Refer to examples in Section 3.0 of this manual and your gas company procedures.

**\* ALWAYS EQUALIZE PRESSURE \***

- ❑ Once pressure is equalized, open the inflation valve of the MDS Stopper to deflate the stopper. Pressure inside the pipeline will assist with the evacuation.

- ❑ Connect the hand pump to the stopper inflation connection and pull a vacuum on the stopper to make it as compact as possible.



- ❑ Unlock the stopper rod using black knob.



- ❑ Pull the stopper rod completely upwards. You may need to use some force to do this.



- ❑ Unlock locking pin.



❑ Grab brass cap and pull up.  
This brings the chute up out of the pipeline.



❑ Close the ball valve.






❑ Open the by-pass / vent valve in order to evacuate the stopping tool.



❑ Unlock the brass collar between the stopping tool and the ball valve by means of the hooked wrench.  
When doing this, make certain the valve doesn't inadvertently turn.





<input type="checkbox"/> Remove the stopping tool from the ball valve.	
<input type="checkbox"/> Disconnect the MDS Stopper from the stopping tool. (Unscrew brass cap and pull stopper rod out of tower.)	
<input type="checkbox"/> Clean and store MDS Stopper in transportation case. Do not leave it on the ground.  Inspect the stopper for damages.  Clean the stopper with a cloth.  Place a protection cap over the thread.	
<input type="checkbox"/> Remove gauges.	
<input type="checkbox"/> Clean and store stopping tool in its case.	

## 9.0 Plugging Operation:

- Assemble the plug spindle and drilling dome together. Verify bottom o-ring is in place.



- Connect the completion plug onto the plug spindle. The connection is good when the detent balls of the plug spindle grip the completion plug. You will hear a positive click.



- Fully retract the plug into the dome.



- Install the dome onto the ball valve and tighten the dome by hand.

Make certain the plugging spindle is at the top of the dome. Keep control of the spindle.



❑ Verify drilling dome bleed valve is closed.



❑ Open the ball valve.



❑ Place the ratchet handle on top of the plug spindle.  
Push the plugging spindle fully downwards.



❑ Screw the plug into the fitting with the ratchet until bottomed-out and tight.



❑ Test to make sure there is a seal by opening the bleed valve on the dome and relieving the pressure in the dome.

❑ After the plug seal has been verified, pull the plug spindle fully upwards (out of the completion plug).



❑ Remove the dome from the valve.





❑ Remove the valve from the ring adapter.



❑ Remove the ring adapter from the fitting by means of the hooked wrench.



<p><input type="checkbox"/> Prior to placing the completion cap, inspect the completion plug again for any leakage.</p>	
<p><input type="checkbox"/> Screw the completion cap onto the fitting.</p>	
<p><input type="checkbox"/> Disassemble the completion tool.</p>	
<p><input type="checkbox"/> Clean and store the completion tool and valve in their respective cases.</p>	

## 10.0 General Maintenance:

**All equipment should be cleaned and inspected for wear after each job to prolong the life of the equipment and ensure the safety of the operators.**

<input type="checkbox"/>	Inventory all system components (refer to Section 4.0 Equipment)
<input type="checkbox"/>	Visually inspect the cutters and pilot bits
<input type="checkbox"/>	PVC Cutter - no missing or chipped teeth (13100050)
<input type="checkbox"/>	Steel Cutter - no missing or chipped teeth (13200120)
<input type="checkbox"/>	Pilot bit - looks to be in good condition (15001055)
<input type="checkbox"/>	NOTE: The best indication of the condition of the cutter and pilot bit is the coupon removed from the pipe. Smooth cuts indicate good condition and jagged / rough cuts indicate wear of the cutter and pilot bits.
<input type="checkbox"/>	Grease the tapping device, if needed (10310600)
<input type="checkbox"/>	Inspect gauges for any damage and ensure they are reading zero and function properly
<input type="checkbox"/>	Inspect stopper rod for bends and/or damage
<input type="checkbox"/>	Clean ALL threads and quick connections
<input type="checkbox"/>	Inspect and clean the chute
<input type="checkbox"/>	Inspect to make sure ball valve is opening and closing smoothly and functioning properly
<input type="checkbox"/>	Inspect all bolts, screws, and joints
<input type="checkbox"/>	Inspect MDS Stopper for any excessive wear and replace if necessary (refer to Appendix A)
<input type="checkbox"/>	Make sure protective cap is on the stopper to protect the threads
<input type="checkbox"/>	Thoroughly clean off any dirt, debris, and grease on all tools and stopper with a lint free cloth and water (well-maintained equipment extends the life)

**NOTE: MCS recommends that the complete set of tools be inspected, serviced, and tested by an authorized MCS service center on a two year rotation or sooner.**

## APPENDIX A: Stopper Testing and Verification

- ❑ Visually inspect the stopper for weak spots and integrity.

Discard stopper if weak spots are found.

Continue with inspection if everything looks OK.

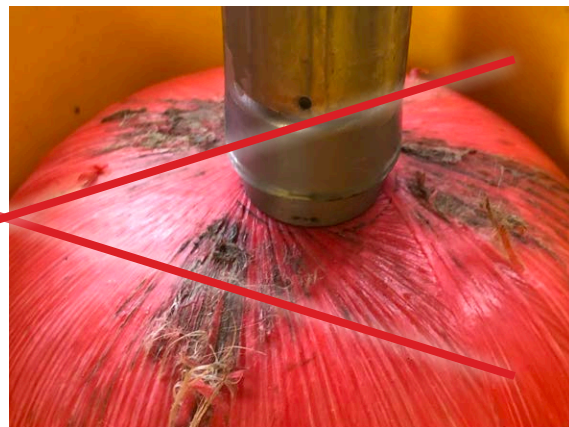
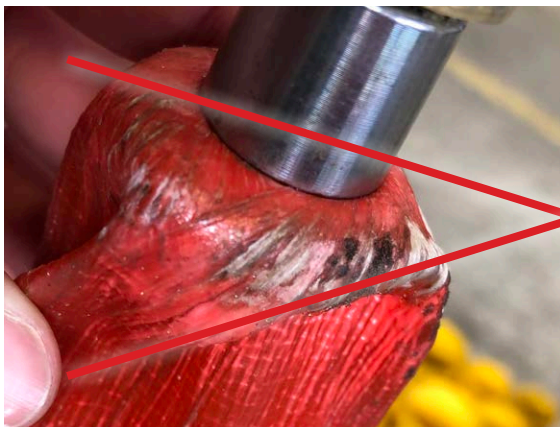
*OK Examples:*

Coating is coming off, but individual threads are not showing.



*Bad Examples:*

Discard stoppers shown below since individual threads are exposed, starting to fray, and loose from coating.



- ❑ Verify internal spring mechanism is still working.



- ❑ Pull a vacuum (negative pressure) on the stopper.

This can be done on the complete stopper rod of the tower (to ensure complete system is intact before a job) or using the MDS Stopper Test Adapter.

Verify fiber gasket in either device is intact.

Verify negative pressure is maintained for 5 minutes.

*Using rod:*



*Using MDS Stopper Test Adapter:*



- ❑ If the condition of the stopper is still uncertain or additional stopper testing is desired, insert the stopper into a piece of pipe within the stopper's pipe ID range.

(Make certain the test set up is in a safe place where the open end of the test pipe is pointed away from people.)

Inflate the stopper to the maximum allowable pressure either by using the stopper rod or a MDS Stopper Test Adapter as noted in the previous step.

After the stopper stabilizes, wait a minimum of 10 minutes to make certain the same pressure is maintained within the MDS Stopper.

**NOTE: Do not inflate the stopper outside of a pipe as it can damage the stopper.**

*Using rod:*



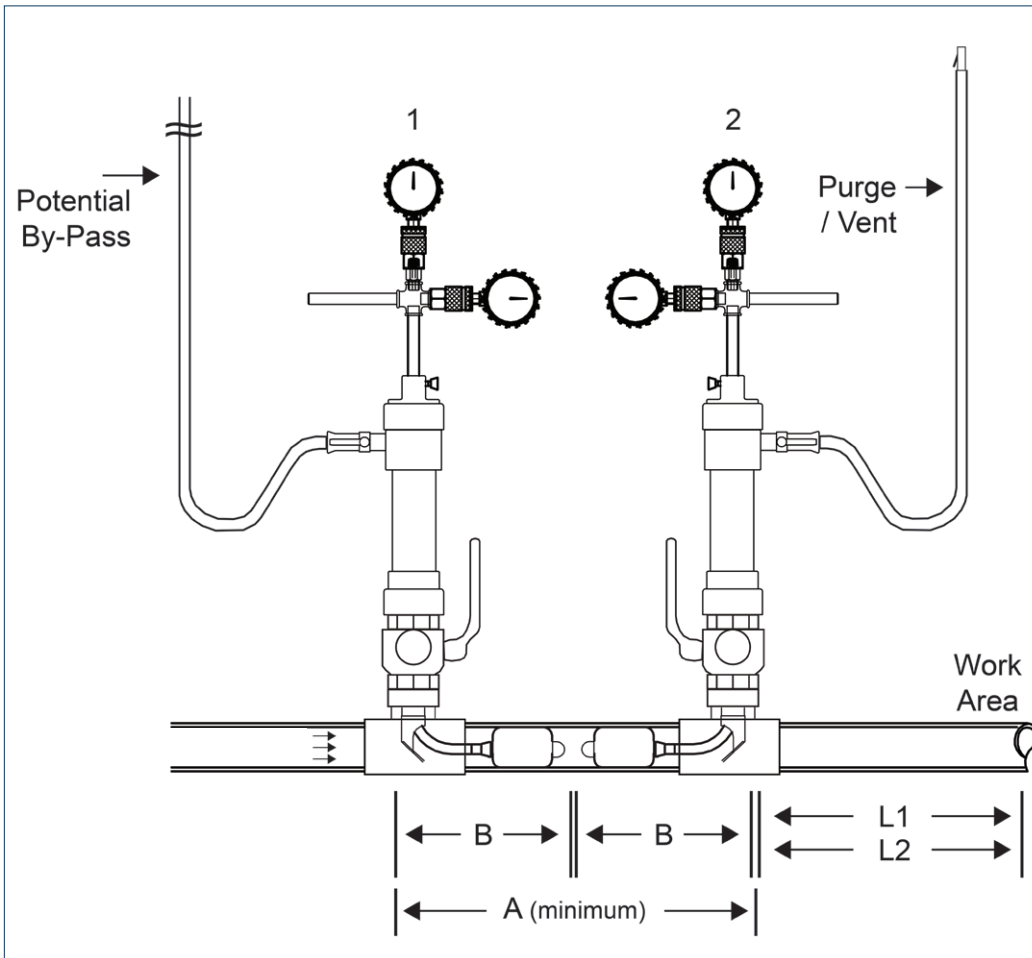
*Using MDS Stopper Test Adapter:*





## APPENDIX B: Tower Positioning and Distances

### Example I – Stoppers Positioned Towards Each Other [Illustration of One Side of Work Area]



#### STOPPING TOWER DISTANCES

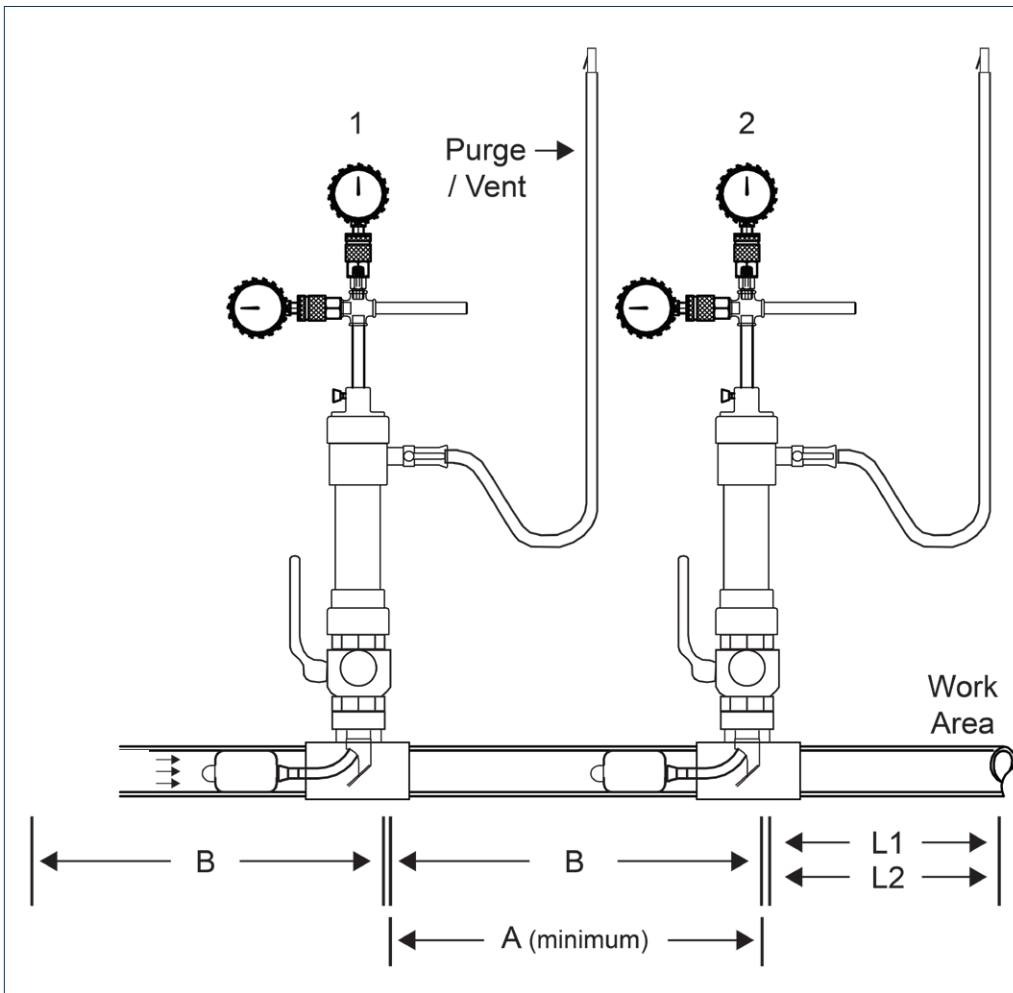
Nominal Pipe Size	A (minimum)	B	L1 = Steel Welding	L2 = PE, CI, and Mechanical
2"	28"	14"	36"	11" *

*A = minimum distance between towers | B = stopper length | L1 = minimum distance from stopper/tower to work area*

*L2 = distance from stopper/tower to work area (\* measurement is a guide only, follow manufacturer's fitting recommendations)*

NOTE: Always inflate stopper #2 first, if possible.

**Example II – Both Stoppers Positioned Away From Work Area  
[Illustration of One Side of Work Area]**

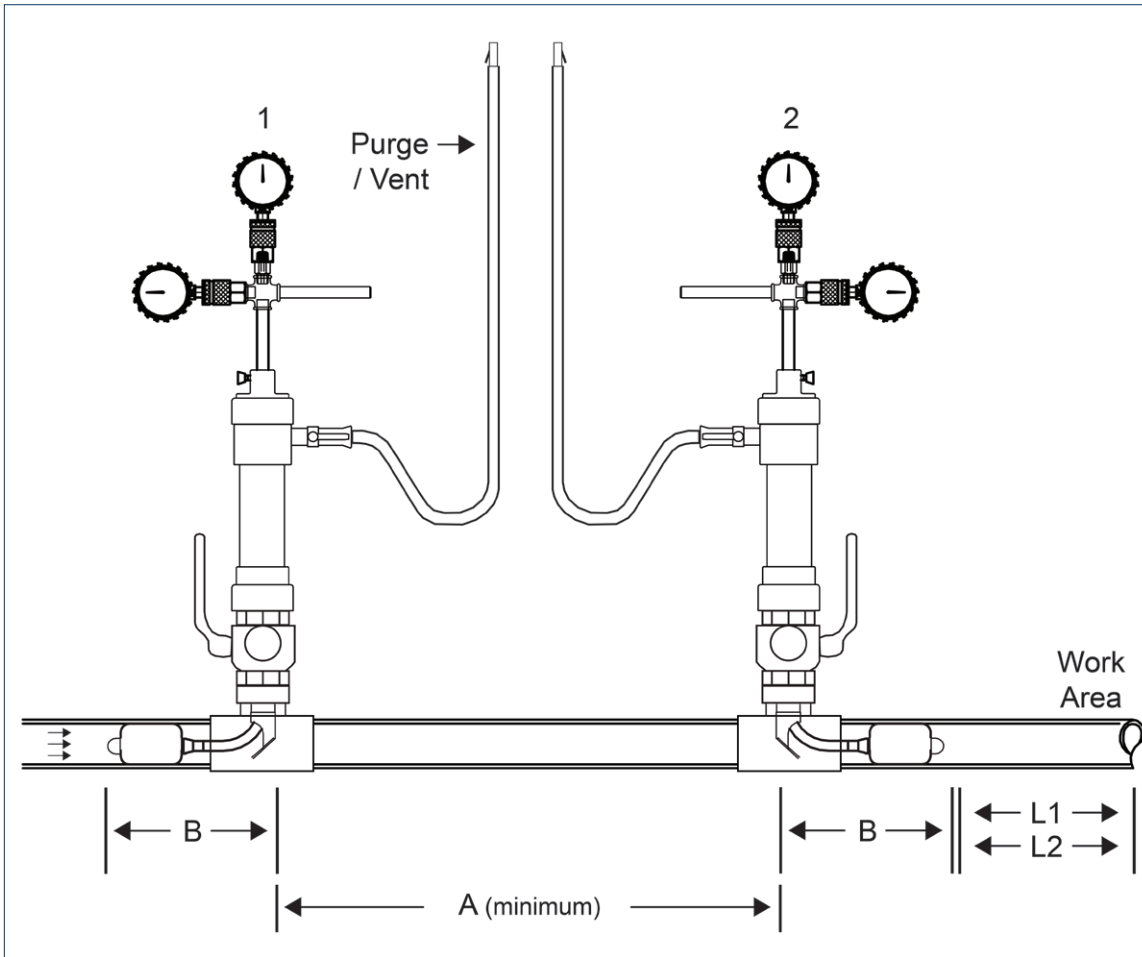


**STOPPING TOWER DISTANCES**

Nominal Pipe Size	A (minimum)	B	L1 = Steel Welding	L2 = PE, CI, and Mechanical
2"	14"	14"	40"	10" *

*A = minimum distance between towers | B = stopper length | L1 = minimum distance from stopper/tower to work area  
L2 = distance from stopper/tower to work area (\* measurement is a guide only, follow manufacturer's fitting recommendations)*

**Example III – Stoppers Positioned Away From Each Other  
[Illustration of One Side of Work Area]**

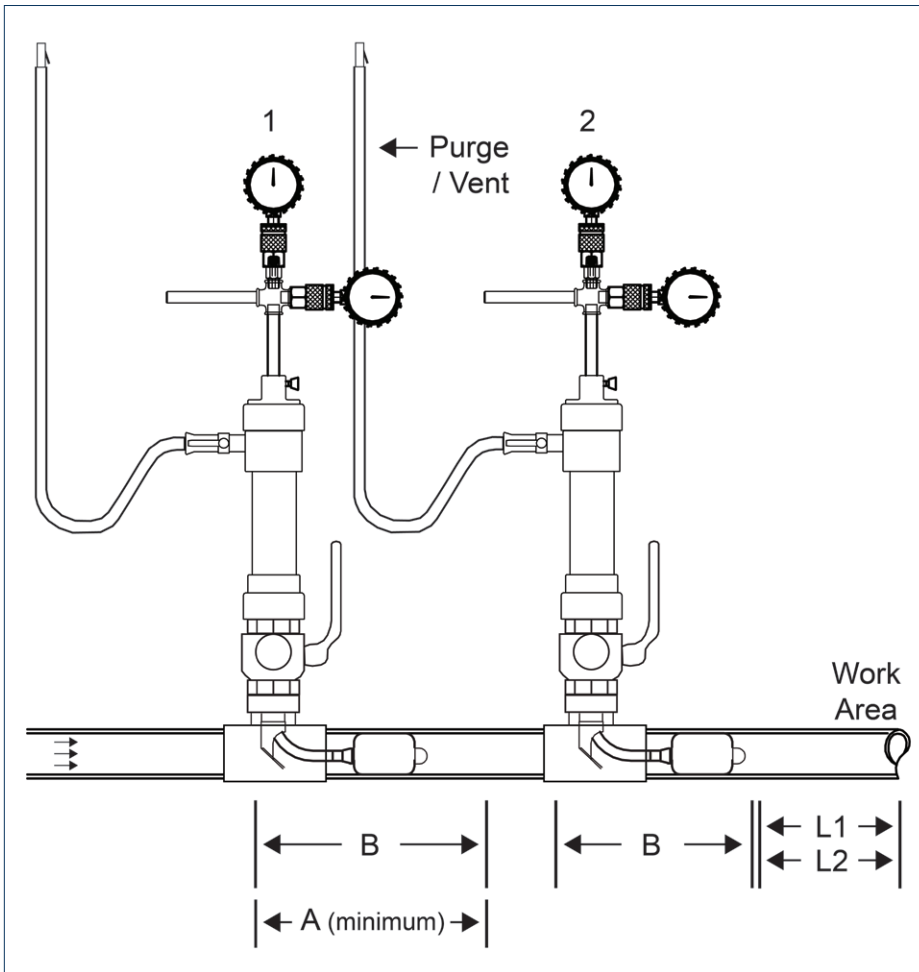


**STOPPING TOWER DISTANCES**

Nominal Pipe Size	A (minimum)	B	L1 = Steel Welding	L2 = PE, CI, and Mechanical
2"	14"	14"	36"	11" *

*A = minimum distance between towers | B = stopper length | L1 = minimum distance from stopper/tower to work area  
L2 = distance from stopper/tower to work area (\* measurement is a guide only, follow manufacturer's fitting recommendations)*

**Example IV – Both Stoppers Positioned Towards Work Area  
[Illustration of One Side of Work Area]**



**STOPPING TOWER DISTANCES**

Nominal Pipe Size	A (minimum)	B	L1 = Steel Welding	L2 = PE, CI, and Mechanical
2"	14"	14"	36"	11" *

*A = minimum distance between towers | B = stopper length | L1 = minimum distance from stopper/tower to work area*

*L2 = distance from stopper/tower to work area (\* measurement is a guide only, follow manufacturer's fitting recommendations)*

## APPENDIX C: Manual Updates

- 1) Updated steel welding distance (L1\*) in table in Section 3.0 and Appendix B
  - a) Added notes on heat transfer & sparks reaching the inflatable stopper
- 2) Updated PE, CI, and mechanical stopper/tower work distance (L2\*\*) in table in Section 3.0.
- 3) Edited cast iron pipe sizing/equipment table (section 4.0) from nominal pipe size to OD range
- 4) Tapping operation
  - a) Added step to rotate drilling rod clockwise to assist in retracting cutter
- 5) Stopper tower operation
  - a) Added new step of greasing stopper rod
- 6) Added air motor guidelines

