

Kleiss MCS60-38 System Kleiss Gastool® Stainless Steel Saddle Fitting Specifications

PART NUMBERS / FITTING DETAILS

Part Number	Nominal Pipe Diameter	Pipe Range	T-Pipe Outlet	Length (L)
90004001	3"	3.46" - 4.33"	2" x 2-1/2" BSP	12"
90004003	4"	4.49" - 5.27"	2" x 2-1/2" BSP	12"
90004008	6"	6.61" - 7.48"	2" x 2-1/2" BSP	12"
90004013	8"	8.85" - 9.68"	2" x 2-1/2" BSP	12"

*Additional sizes available *

Bolt Connections According to: ISO4017A2 / DIN933A2 / DIN6334A2 / DIN6334A2

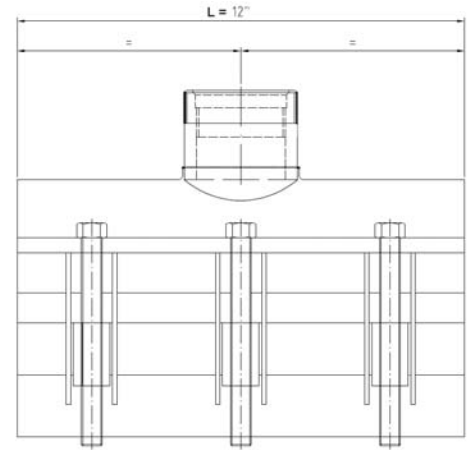
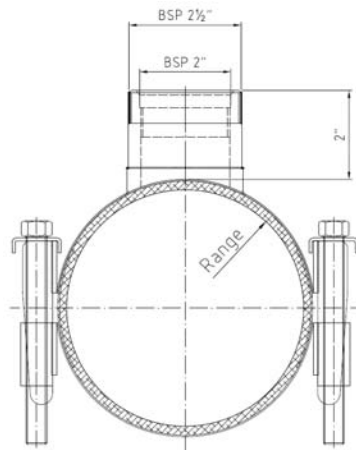
Material: AISI/ASTM 304 / 1.4301

Sealing Ring(s): NBR BS EN 682:2002

Added Rubber Material (Isolation):
Neoprene DIN 53504 / DIN 53507

Tested Pressure: 90 psi

Maximum Working Pressure: 60 psi



Distributed by: