



IRON HORSE SEATING



BIG & TALL

PRODUCT FEATURES

The IRON HORSE Seating Big & Tall features the latest ergonomic designs and commercial grade components.

FEATURES

- **NEW!** Seat Cushion Depth Range: 22" - 24.5"
- Adjustable Comfort Neckroll
- Independent Backrest Recline
- Heavy Duty Tilt-Up Armrests, Adjustable Angle
- Heavy Duty Tilt Mechanism (See Back of Page for More Details)
- Adjustable Air Lumbar System
- Heavy Duty Gas Shock, Height Adjustable
- Heavy Duty 5-Star Base with Double Wheeled Casters

USER RATINGS

- Weight Rating: 400 lbs.
- User Height: 5'9" - 6'8"

WARRANTY

- 10-Year Warranty on Frame
- 5-Year Warranty on Structural Components
- 3-Year Warranty on Covers, Foam & Armrests

OPTIONAL FEATURES

- **NEW!** 3D Armrests, Height/Width/Length Adjustable
- **NEW!** 75mm Hard Casters
- **NEW!** Tall Configuration Available
- Custom Embroidery

ISO CERTIFIED



MANUFACTURER

UNITED GROUP
INCORPORATED

BBB ACCREDITED



IRONHORSESEATING.COM 800.223.7003

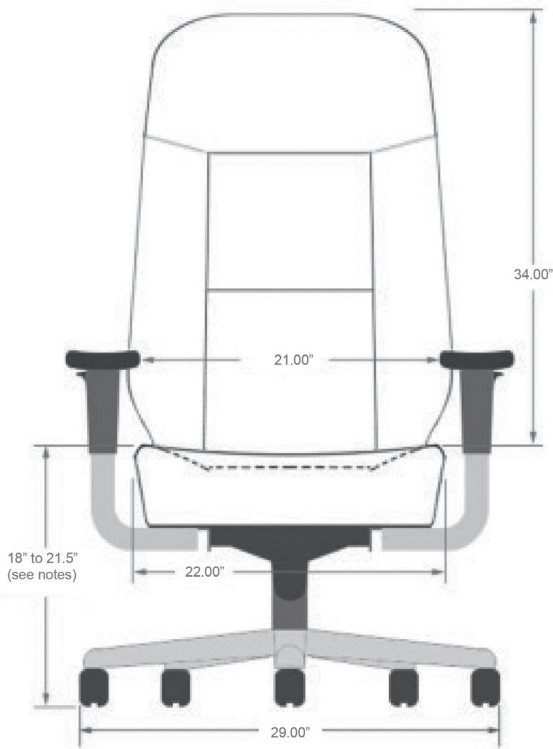
Rev. 07/24/2018

IRON HORSE SEATING



BIG & TALL

PRODUCT FEATURES



Notes:

Seat Cushion Depth:

Standard - 19.5" to 22"

Extended - 22" to 24.5"

Seat Cushion Height:

Regular Shock Option - Seat Cushion Height 18" to 21"

Short Shock Option - Seat Cushion Height 17" to 20"

Tall Shock Option - Seat Cushion Height 19" to 23"



IRON HORSE SEATING - BUILT TO LAST

IRON HORSE Seating 24-Hour Chairs are engineered to withstand the demanding environments of control rooms, surveillance rooms, and dispatch centers. The IRON HORSE Big & Tall features the latest ergonomic designs and commercial grade components.

Through extensive market knowledge and known customer requirements, these chairs are engineered to exceed your expectations. The ergonomic excellence of the IRON HORSE Seating intensive use products have been developed to meet the demands of 24-hour, multi-shift environments.

ISO CERTIFIED



MANUFACTURER

UNITED GROUP
INCORPORATED

BBB ACCREDITED



IRONHORSESEATING.COM 800.223.7003

Rev. 07/24/2018