

Column Installation Instructions

PN 152984

The Competitor Series scale has an optional column that can be purchased. Use the following steps to install the optional column.

CAUTION It is recommended using two people to install the optional column

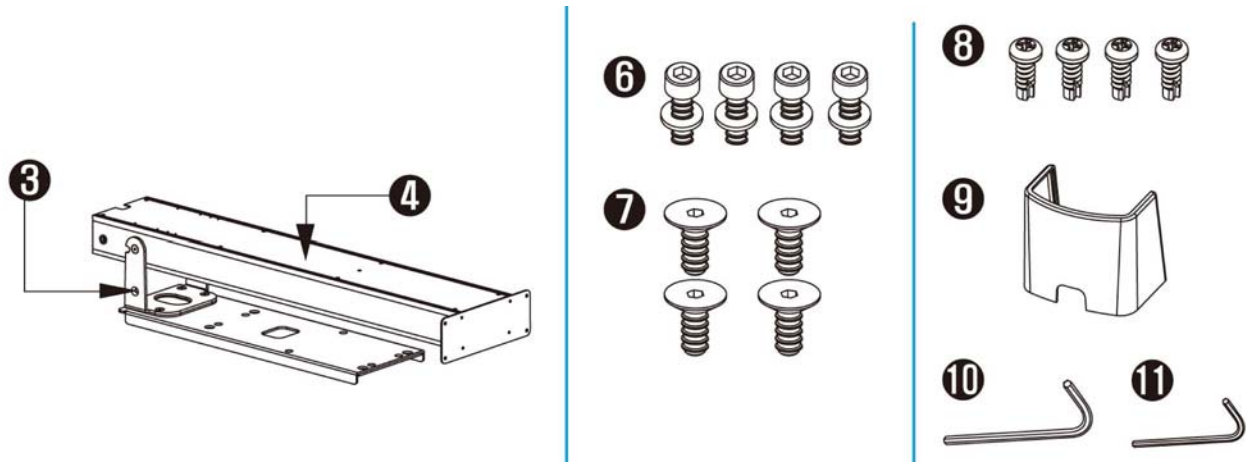


Figure 1. Optional Column Components

Item No.	Description	Qty
3	Mounting bracket	1
4	Optional column	1
6	M6 Socket head cap screw and washer	4
7	Cap screw, hex socket flat w/ countersunk head	4
8	Machine screw, pan head 6-32 x 5/8	4
9	Column cover assembly	1
10	Allen wrench, 4mm	1
11	Allen wrench, 5mm	1

Table 1. Optional Column Assembly Parts

1. Connect the DB-9 scale base cable and tighten two bolts as shown in Figure 2

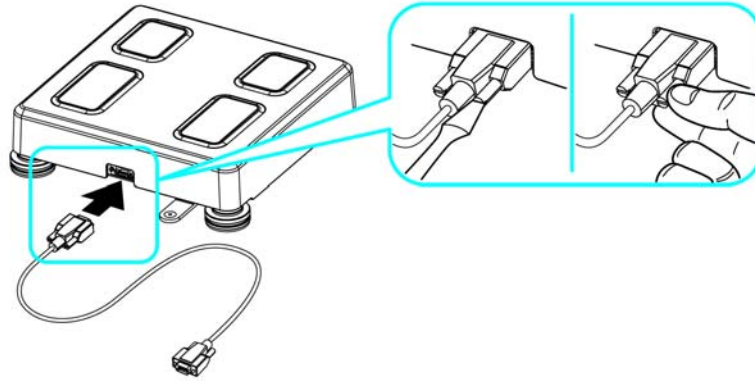


Figure 2. Fasten Weight Scale Cables

2. Remove the two M6 plate bolts to separate the mounting bracket from the column, see Figure 3.

! Important If the plate bolts are not disassembled when the body stands, it may damage the body.

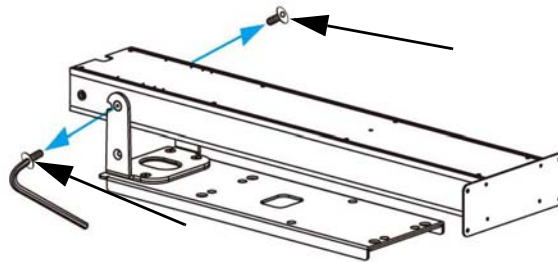


Figure 3. Separate the Mounting Plate and Column

3. Assemble the mounting bracket by aligning the bolt holes located at the bottom of the weight scale and using a 5 mm Allen wrench (provided).

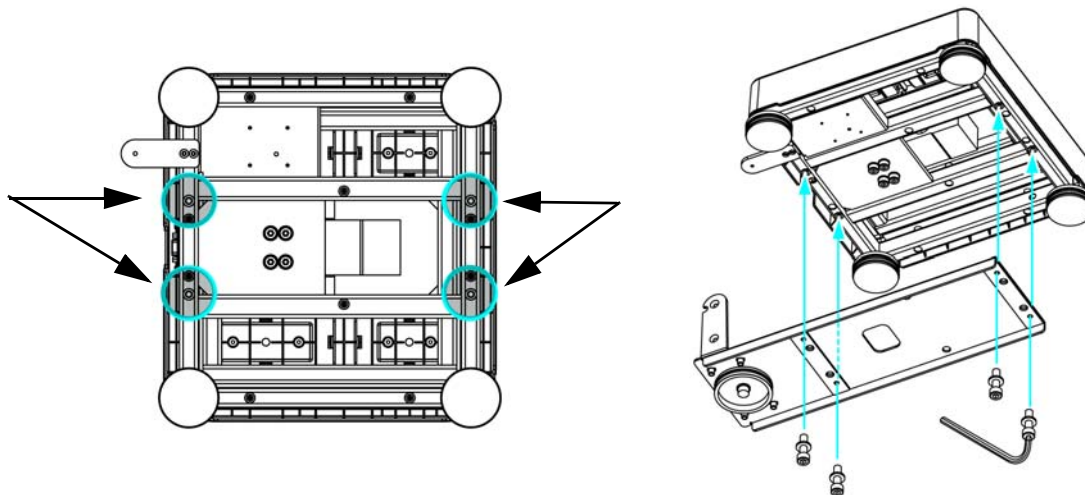


Figure 4. Attach Mounting Bracket

4. Attach the digital display to the column using a screwdriver to attach the display with four bolts as shown on the left hand side of Figure 5.

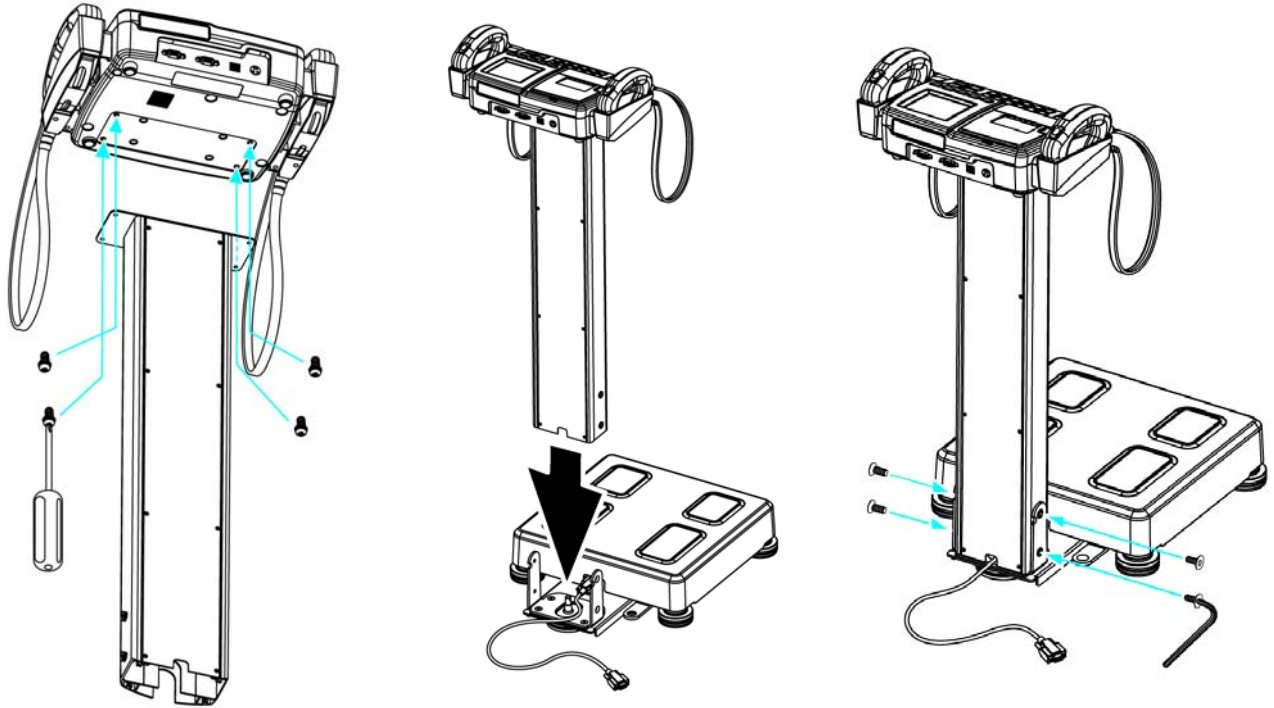


Figure 5. Column Attachment

5. Place the scale base on a flat and level surface.
6. Insert the column into the bracket, making sure that the cable is out of the column as shown in the center illustration of Figure 5.
7. Insert plate bolts into the holes as shown in the right hand picture of Figure 5. Fasten the bolts using a 4 mm Allen wrench (included).

Column Cover Assembly

1. Insert the column cover as shown in Figure 6.

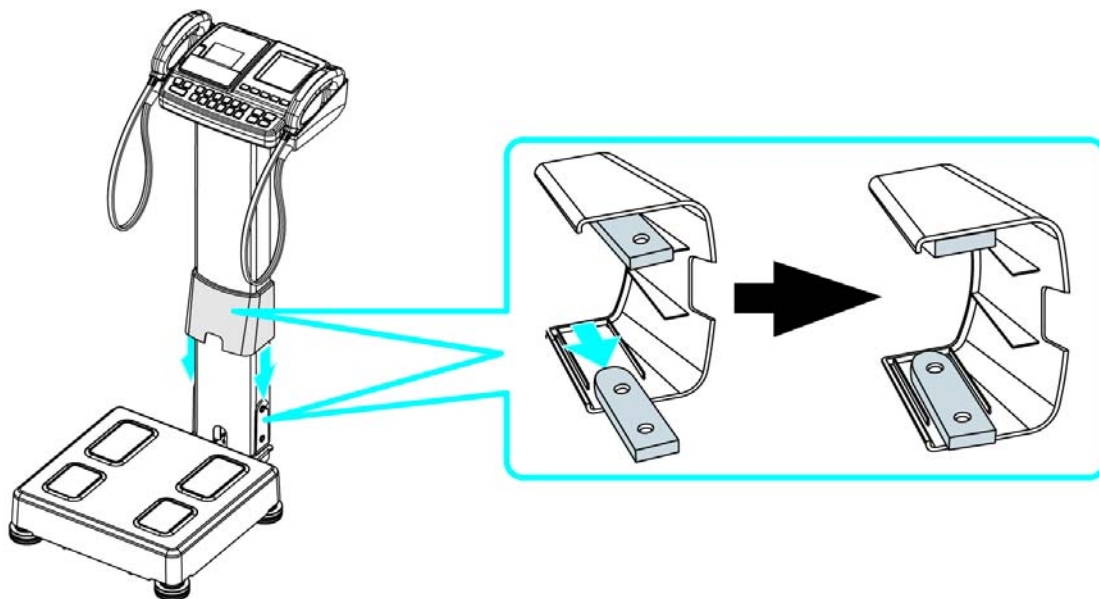


Figure 6. Column Cover Assembly

Connect Power Supply and Scale Cable

1. Connect the scale cable to the scale port located on the back of the digital display by fastening the DB-9 cable bolts.
2. Connect the adaptor cable to the adaptor port and plug the power cord into the power outlet.

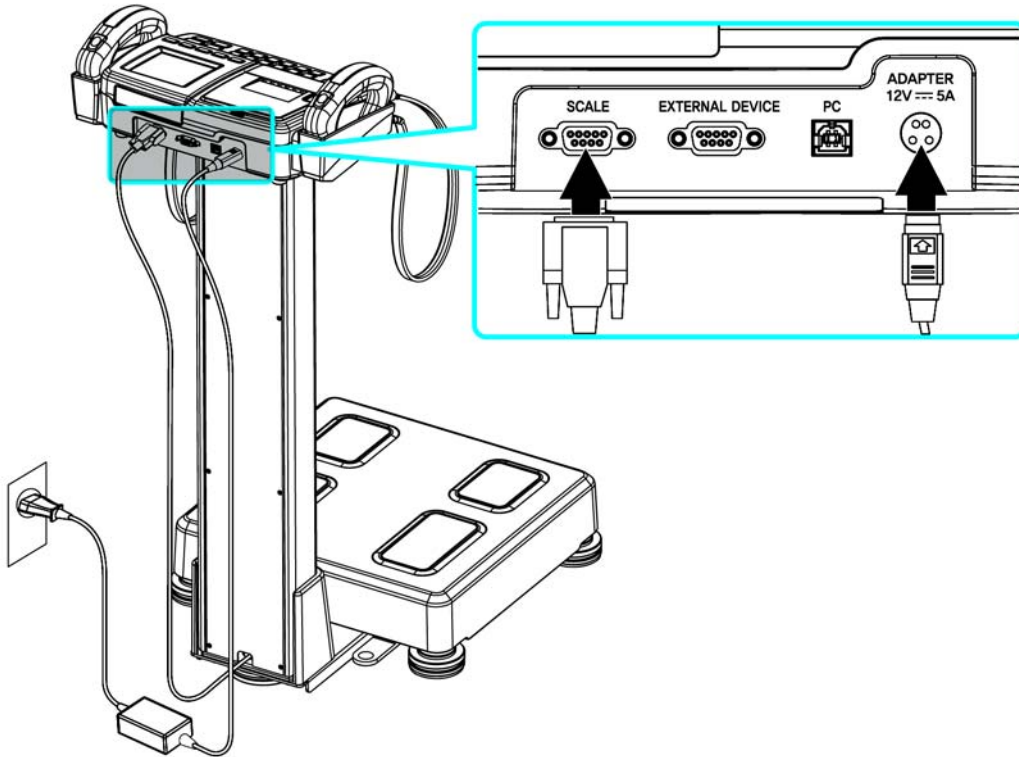


Figure 7. Power Supply and Scale Cable Connection Locations



CAUTION Before connecting a peripheral device to this scale, the power should be turned off, otherwise the scale could malfunction or be damaged due to electric shock.

Power should be supplied from this device to ensure safe operation and durable performance.

This scale should be powered with only the adaptor and cable that are supplied with this product.

Be careful not to touch the scale base part of the scale when the power switch is turned ON.



Note The scale zeros on power up. For accurate readings, press the zero reset button on the digital display.

RICE LAKE[®]
WEIGHING SYSTEMS
To be the best by every measure[®]

230 W. Coleman St. • Rice Lake, WI 54868 • USA
U.S. 800-472-6703 • Canada/Mexico 800-321-6703 • International 715-234-9171 • Europe +31 (0)26 472 1319

www.ricelake.com www.ricelake.mx www.ricelake.eu www.ricelake.co.in m.ricelake.com

Rice Lake Weighing Systems is an ISO 9001 registered company.
© Rice Lake Weighing Systems 10/29/13 PN 159047