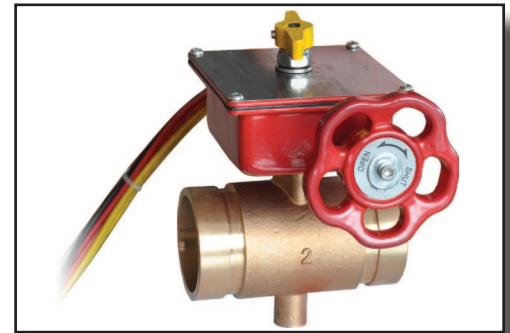


### Description:

Sentry Sprinklers Model GB-3100 and TB-3100 are bronze body Butterfly Valves that are bi-directional and suited for vertical and horizontal installation. The valve is the indicating type designed and listed for use in fire protection systems with a built in tamper switch suitable for indoor and outdoor use. The switch box is anti-corrosion with 10 mil (250µ) of fusion-bonded epoxy (FBE) coating. All other components are made of corrosive resistance materials.

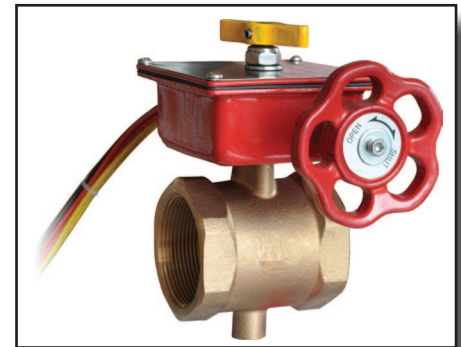


Model GB-3100



### Features:

- Maximum working pressure 175 PSI (12 Bar) @ -10° F - 248° F, (-10° C - 120° C).
- Bronze body conforms to AWWA C606 groove.
- Ductile Iron Disc EPDM coated, resilient seated.
- Grooved End Connections AWWA 606.
- Meets all requirements for FM1112.
- Epoxy coated switch box.



Model TB-3100



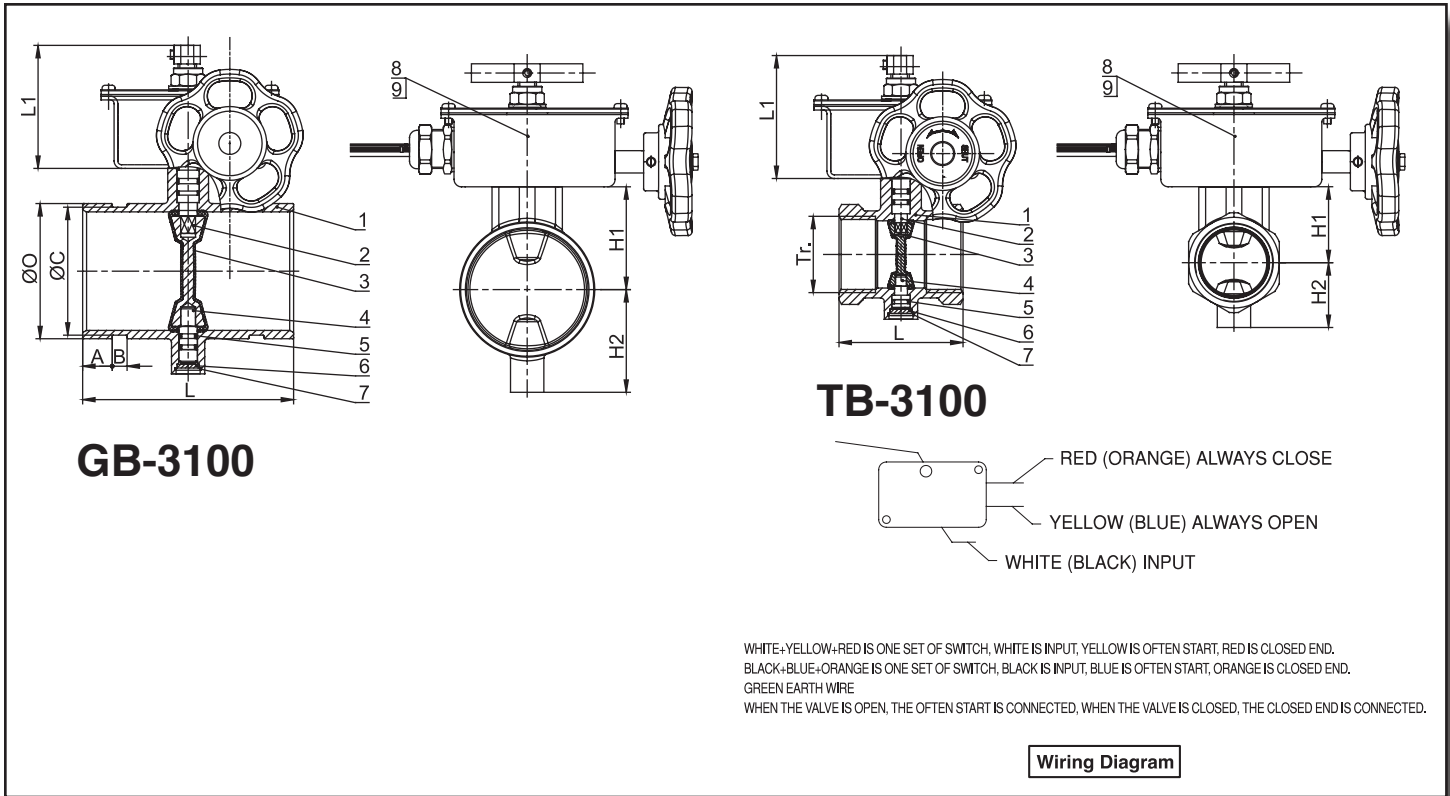
### Dimensions:

#### Groove Type >

INCH (DN)	L	Ø O	Ø C	A	B	H1	H2	L1
inch (mm)	inch (mm)	inch (mm)	inch (mm)	inch (mm)	inch (mm)	inch (mm)	inch (mm)	inch (mm)
2 (50)	4 1/2 (114)	2 3/8 (60.3)	2 1/4 (57.15)	5/8 (16)	5/16 (8)	1 15/16 (50)	1 15/15 (50)	2 5/8 (66.5)
2 1/2 (65)	4 1/2 (114)	2 7/8 (73)	2 3/4 (69.1)	5/8 (16)	5/16 (8)	2 3/16 (55.5)	2 3/16 (55.5)	2 5/8 (66.5)

#### Thread Type >

INCH (DN)	L1	L	Tr.	H1	H2
inch (mm)	inch (mm)	inch (mm)	inch NPT	inch (mm)	inch (mm)
1 (25)	2 5/8 (66.5)	2 1/8 (54)	1	1 7/16 (37)	1 1/8 (29)
1 1/4 (32)	2 5/8 (66.5)	2 5/8 (67)	1 1/4	1 5/8 (41)	1 3/8 (35)
1 1/2 (40)	2 5/8 (66.5)	2 7/8 (73)	1 1/2	1 3/4 (44)	1 5/8 (41)
2 (50)	2 5/8 (66.5)	3 1/4 (82.4)	2	1 15/16 (50)	1 15/16 (50)
2 1/2 (65)	2 5/8 (66.5)	4 1/8 (104)	2 1/2	2 3/16 (55.5)	2 3 /16 (55.5)



### Material List:

ITEM	NAME	MATERIAL
1	Body	ASTM B62 C83600
2	Upper Shaft	SS630
3	Disc	65-45-12+EPDM
4	Lower Shaft	SS630
5	O-Ring	EPDM
6	Gasket	SS304
7	Circlip	65Mn
8	Key	1045
9	Electric Signal Gear Box	-

SIZE CODE	1" (25)	1 1/4" (32)	1 1/2" (40)	2" (50)	2.5" (65)
		010	012	015	020

ORDER KEY	MODEL ↓	SIZE CODE ↓
		GB-3100-

ORDER KEY	MODEL ↓	SIZE CODE ↓
		TB-3100-