

### Description:

Sentry Sprinklers Model ARV-2000 is an Air Release Valve that releases accumulated air in a wet pipe system without pressure loss. The valve must be installed in the vertical position at the highest point in the piping system. The valve is anti-corrosion with 10 mil (250µ) of fusion-bonded epoxy (FBE) coating on both the inside & outside. All other components are made of corrosive resistance materials.



Model ARV-2000

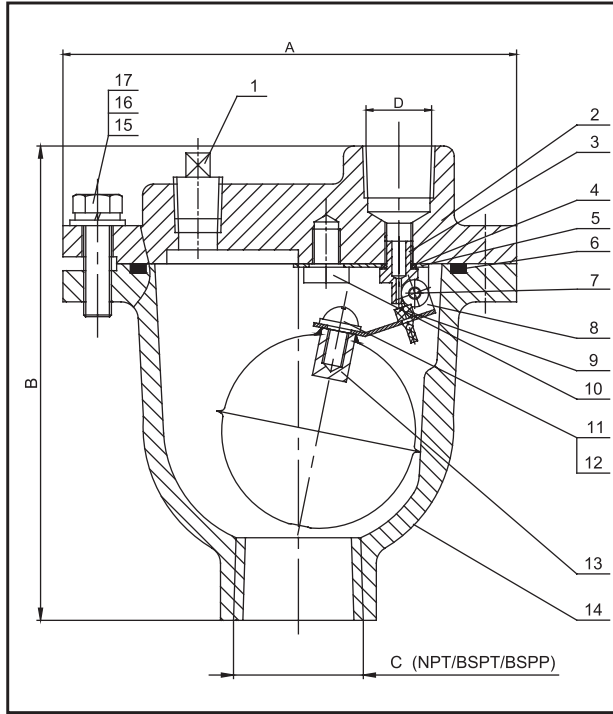


### Features:

- Maximum working pressure 200 PSI.
- Resilient Sealing Plug that mates with orifice seat.
- Releases trapped air during operation without losing pressure.
- Meets all requirements for FM1344.
- Stainless Steel Trim and Float.
- Epoxy coated inside & outside.
- Thread Connection Ends: NPT, BSPT, and BSPP.

### Dimensions:

INCH (DN)	A	B	C (Inlet)	D (Outlet)	Orifice
inch (mm)	inch (mm)	inch (mm)	inch (mm)	inch (mm)	inch (mm)
1/2" (15)	5 1/4" (134)	5 1/2" (140)	1/2" (15)	1/2" (15)	1/16" (1.6)
3/4" (20)	5 1/4" (134)	5 1/2" (140)	3/4" (20)	1/2" (15)	1/16" (1.6)
1" (25)	5 1/4" (134)	5 1/2" (140)	1" (25)	1/2" (15)	1/16" (1.6)



### Material List:

ITEM	NAME	MATERIAL
1	PLUG	SS304
2	BONNET	ASTM A536
3	SEALING SEAT	BRONZE
4	SEALING WASHER	VITON/EPDM
5	YOKE	SS304
6	O-RING	VITON/EPDM
7	PIN	SS304
8	ARM	SS304
9	SEALING PLUG	VITON

ITEM	NAME	MATERIAL
10	BOLT	STEEL
11	SCREW	SS304
12	SNAP RING	SUS201
13	BALL	SS304
14	BODY	ASTM A536
15	BOLT	STEEL
16	SPRING WASHER	STEEL
17	FLAT WASHER	STEEL
-	-	-

THREAD CODE	NPT ↓	BSPT ↓	BSP ↓
	N	S	P

SIZE CODE	1/2" (15)	3/4" (20)	1" (25)
	005	007	010

ORDER KEY	MODEL ↓	THREAD CODE ↓	SIZE CODE ↓
	ARV-2000-	X-	XXX