

Description:

Sentry Sprinklers Model OSY-6000 is a ductile iron, Outside Screw and Yoke, Resilient Seated Gate Valve. The valve is bi-directional and is suited for vertical and horizontal installation. The valve is anti-corrosion with 10 mil (250µ) of fusion-bonded epoxy (FBE) coating on both the inside & outside. All other components are made of corrosive resistance materials. The packing material is PTFE with a durable low coefficient of friction that provides superior sealing. It includes Tap Bosses to connect a Pressure Gauge/Switch or act as a Drain during maintenance.




Model OSY-6000  

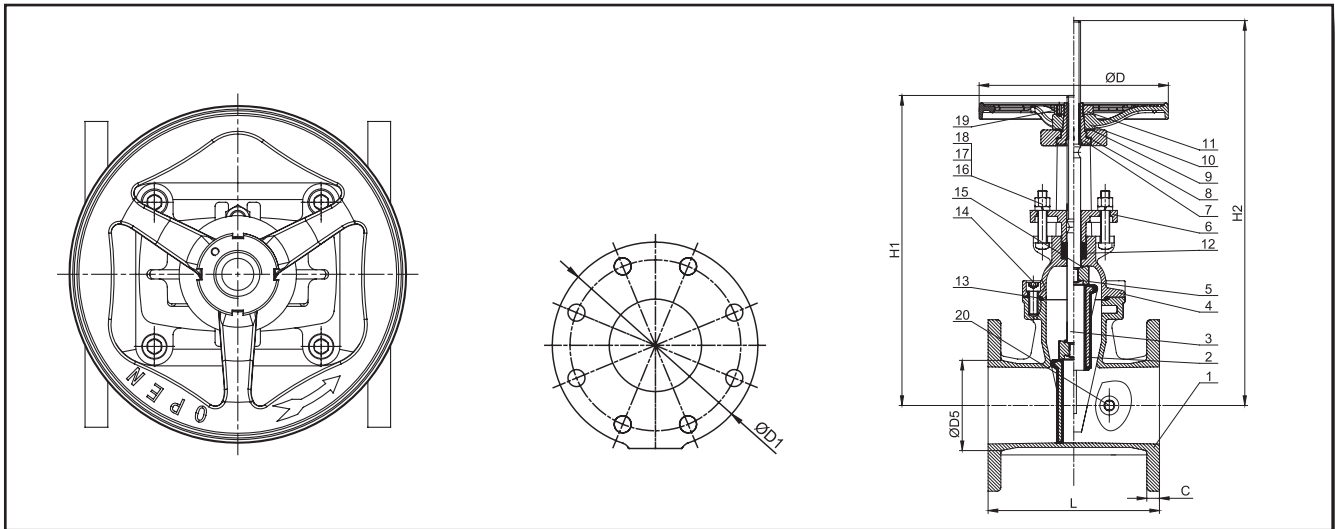
Features:

- Sizes 2”–12” Maximum working pressure 300 PSI (20.7 Bar) @ -10° F - 248° F, (-10° C - 120° C).
- Lightweight Ductile Iron body conforms to AWWA C515 / BS5163.
- Fully Encapsulated EPDM Ductile Iron Wedge capable of achieving bubble-tight sealing.
- Connection Ends ANSI B16.1 Class 125/150 and EN1092-2 PN16.
- Meets all requirements for UL262 and FM1120/1130.
- Handwheel open left.
- Standard Plug & Tap Bosses, ¼” NPT.
- Epoxy coated inside & outside.
- End Connection available in Flange-by-Flange (FF), Flange-by-Groove (FG), Flange-by-Mechanical Joint (FMJ), Groove-by-Groove (GG), and Mechanical Joint-by-Mechanical Joint (MJMJ).

Dimensions:

SIZE	Inch (DN)	2 (50)	2.5 (65)	3 (80)	4 (100)	5 (125)	6 (150)	8 (200)	10 (250)	12 (300)
Ø D	inch (mm)	7.2 (183)	7.2 (183)	9.96 (253)	9.96 (253)	12.05 (306)	12.05 (306)	13.97 (355)	17.52 (445)	17.52 (455)
H1	inch (mm)	13.27 (337)	13.37 (337)	14.8 (376)	16.3 (414)	19.57 (497)	22.09 (561)	29.17 (741)	33.7 (856)	39.09 (993)
H2	inch (mm)	16.18 (411)	16.18 (411)	18.19 (462)	20.24 (514)	24.76 (629)	27.91 (709)	36.3 (922)	43.94 (1116)	51.18 (1300)
Ø D1	inch (mm)	6.5 (165)	7.09 (180)	7.48 (190)	9.06 (230)	10.04 (255)	11.02 (280)	13.58 (345)	15.94 (405)	19.09 (485)
Ø D2	inch (mm)	3.62 (92.1)	4.13 (104.8)	5 (127)	6.19 (157.2)	7.31 (185.7)	8.5 (215.9)	10.63 (269.9)	12.75 (323.8)	15 (381)
C	inch (mm)	0.59 (14.9)	0.65 (16.5)	0.7 (18)	0.9 (22.8)	0.9 (22.8)	0.96 (24.4)	1.08 (27.6)	1.15 (29.2)	1.21 (30.8)
L	inch (mm)	7 (178)	7.52 (191)	8 (203)	9.02 (229)	10 (254)	10.51 (267)	11.49 (292)	13 (330)	14.02 (356)
TAP SIZE	inch (mm)	0.25 (6.35)	0.25 (6.35)	0.25 (6.35)	0.25 (6.35)	0.25 (6.35)	0.25 (6.35)	0.25 (6.35)	0.25 (6.35)	0.25 (6.35)
# TURN		13	17	16	20	25	30	34	42	50

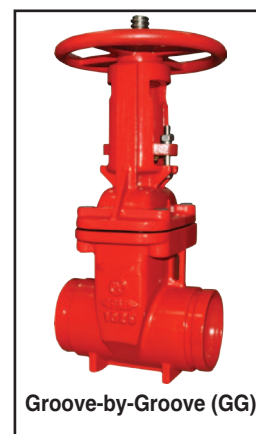
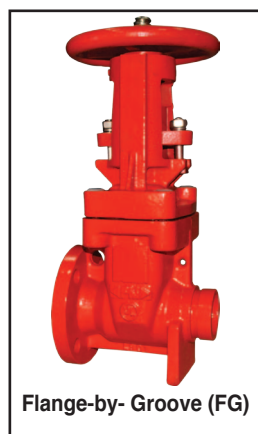
*Dimensions stated for FF ANSI 125



Material List:

ITEM	NAME	MATERIAL
1	Body	ASTM A536 65-45-12
2	Wedge	ASTM A536 65-45-12+EPDM
3	Stem	AISI SS304
4	Bonnet	ASTM A536 65-45-12
5	Disc Nut	ASTM A351 CF8
6	Gland	ASTM A536 65-45-12
7	Stem Nut	ASTM B62
8	Stem Nut Washer	ASTM B16
9	Hand Wheel Washer	ASTM B16
10	Hand Wheel	ASTM A536 65-45-12

ITEM	NAME	MATERIAL
11	Hand Wheel Nut	Carbon Steel Galvanization
12	Packing	PTFE
13	Gasket	EPDM
14	Hex. Socket Cap Screw	8.8 Rating
15	O-Ring	EPDM
16	Nut	ASTM SS304
17	SQ. Bolt	ASTM SS304
18	Spring Washer	ASTM SS304
19	Hex Cylinder Head Set Screws	ASTM SS304
20	Plug	ASTM SS304



SIZE CODE	2" (50)	2.5" (65)	3" (80)	4" (100)	5" (125)	6" (150)	8" (200)	10" (250)	12" (300)
	020	025	030	040	050	060	080	100	120

FLANGE CODE	CLASS ANSI 125 → A	CLASS ANSI 150 → B	CLASS PN16 → D

ORDER KEY	END CONNECTION				FLANGE CODE				
	MODEL #	OSY-6000-	XX-	X-	XXX	SIZE CODE			