

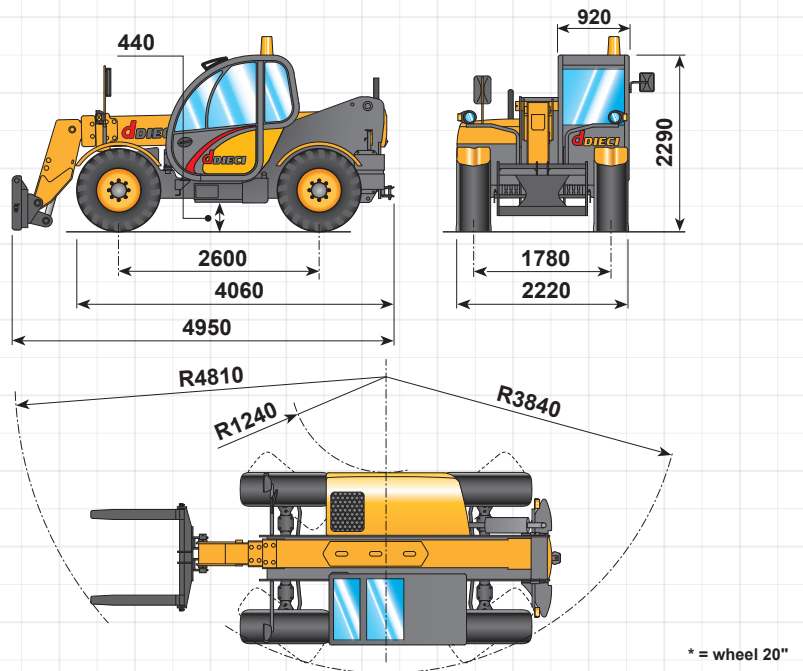
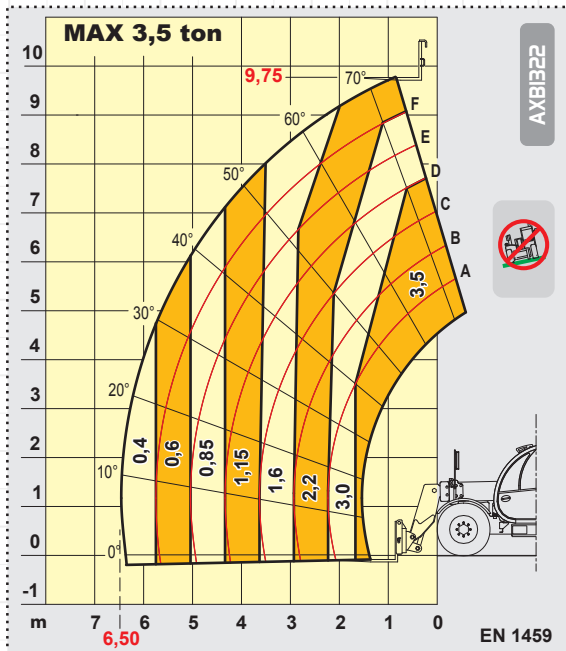
ZEUS

35.10



macchine edili ed agricole
S.r.l.
d DIECI

ZEUS 35.10



PERFORMANCES

Maximum capacity:.....	3.500 kg
Capacity at maximum height on tyres:.....	2.200 kg
Maximum capacity boom on tyres:.....	400 kg
Maximum lifting height on tyres:.....	9,75 m
Maximum horizontal boom extension:.....	6,50 m
Boom at maximum height:.....	0,84 m
Angle of fork arching:.....	130°
Tearing force:.....	5.700 daN
Towing force:.....	7.300 daN
Maximum slope for overtaking:.....	40 %
Total empty weight:.....	7.600 kg
Max speed:.....	30 km/h

(on request 40 km/h with TC and TA engine)



TRANSMISSION

Transmission:..... hydrostatic with variable capacity pump
 Hydraulic engine:..... with automatic change
 Gear reversing:..... electro - hydraulic
 Inching pedal for controlled forward movement.
 2 speed power steering.



HYDRAULIC CIRCUIT

Gear pump with capacity at speed:..... 100 lt/1'
 Max working pressure:..... 230 bar
 Distributor controls with joystick:..... 3 in 1



DIFFERENTIAL AXLES

Steering axles:..... 2, with epicycloidal reduction gears
 Type of steering:..... 4 wheels / transversal / 2 wheels
 Front axle:..... rigid (levelling on request)
 Rear axle:..... oscillating
 Service braking:..... oil bath on the front axle
 with servo-brake
 Parking brake:..... actuated negatively



ENGINE

ENGINE IVECO NEF F4GE0404A - NA - 60 kW
 Maximum power:..... 60 kW (82 hp) at 2300 rpm
 Operating principle:..... four-stroke engine, diesel
 Cylinders number and layout:..... 4, vertical in line
 Displacement:..... 4485 cm³ - aspirated
 Cooling system:..... liquid

ENGINE IVECO NEF F4GE0454A - TC - 74 kW
 Maximum power:..... 74 kW (102 hp) at 2300 rpm
 Operating:..... four-stroke engine, diesel
 Cylinders number and layout:..... 4, vertical in line
 Displacement:..... 4485 cm³ - Turbo compressor
 Cooling system:..... liquid

ENGINE IVECO NEF F4GE0484C - TA - 94 kW
 Maximum power:..... 94 kW (128 hp) at 2300 rpm
 Operating:..... four-stroke engine, diesel
 Cylinders number and layout:..... 4, vertical in line
 Displacement:..... 4485 cm³ - Aftercooler turbo compressor
 Cooling system:..... liquid



REFUELLING (litre)

Hydraulic circuit:..... 140
 Fuel tank:..... 95



STANDARD DEVICES

Anti-tipping device with block for hazardous movements.
 Hydraulic socket for possible accessories on boom head.
 Closed soundproof homologated cab ROPS - FOPS, with heating.
 Front self-locking axle (limited slip 45%).



TYRES

Tyres:..... 16/70x20" MPT04
 Alternative:..... 405/70x24" MPT04



OPTIONAL AND ACCESSORIES

Optional and Accessories:..... see the relevant catalogue

The information contained in the present publication are only intended as an indication; the models described may be modified, without notice, by the manufacturer, drawings and photographs may refer to optional equipment or to particular specifications for other countries. For any further information, please contact DIECI headquarters at the address given below.

(Cod. AXE3070 - 06/2004 v2 - ING)

DIECI S.r.l.
 Via E. Majorana, 2/4 - 42027 Montecchio Emilia (RE)
 Tel. +39 0522 869611 - Fax +39 0522 869744
 www.dieci.com - mailbox@dieci.com

macchine edili ed agricole
d DIECI
 S.r.l.