

INSTALLATION INSTRUCTIONS

Dispensing Apparatus and Holder (patent pending)

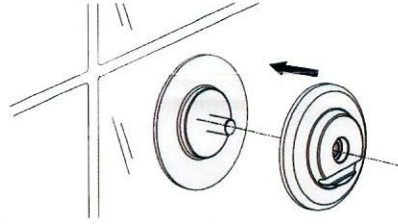
For Walls and Tables

The mounting unit consists of 3 parts - the rubber suction cup, the metallic ring with mounting groove and the knob for creating the suction. Unscrewing the knob will allow the 3 parts to separate for the mounting process, the surface you wish to mount the unit to must be non-porous, hard, smooth and clean to prevent the loss of suction. The unit is held on just by suction created by turning the knob to form the vacuum.

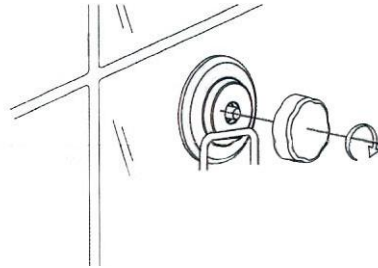
Determine ahead of time where you want the unit placed, Clean and dry the mounting surface.



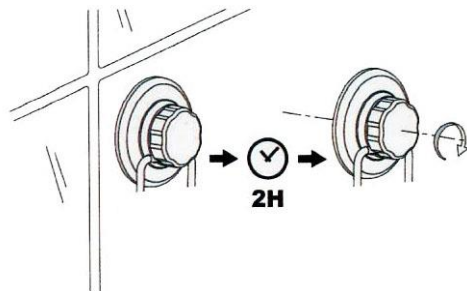
1. Remove the covering strip from the back of the suction disc and press firmly in place.



2. Place the metallic ring over the suction cup with the mounting groove horizontal and on the bottom



4. Place the Hang-on Wall in the groove using the side of Hang-on Wall stand which allows the stand to sit horizontal front to back and left to right and flat to the wall. Screw in the knob and tighten with very firm hand reassure. This will create the suction which holds the unit in place.



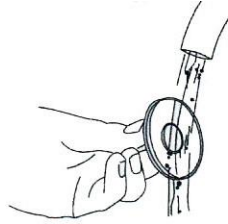
5. Do not place any XXL Rolls at this time. After a few hours, tighten the knob further, if possible, and then place your XXL Rolls in the stand if desired.

Note - Permanent suction may not be able to be obtained on porous surfaces such as paint wall, wood, unfinished marble, granite, or wallpaper or over tile grout lines.

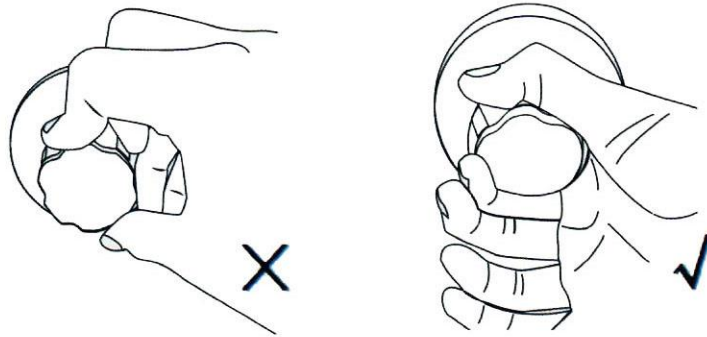
ABOUT THE FALLING

In many cases, the falling down cause by the knob wasn't tighten full and the suction cups didn't form the vacuum. What you need to do next is to clean and dry off the rubber's surface, and try to install again. In the final step, counterclockwise rotate the cap until you can't rotate anymore, empty the product of hours and then Counter clockwise to ensure the vacuum has formed. Many times, you thought you have tightened it full enough but actually not.

REUSE



If the unit falls off the wall or you want to relocate it, it may be reapplied by cleaning and drying the suction cup, repeating the installation process and again tightening the knob with as much hand pressure as possible.



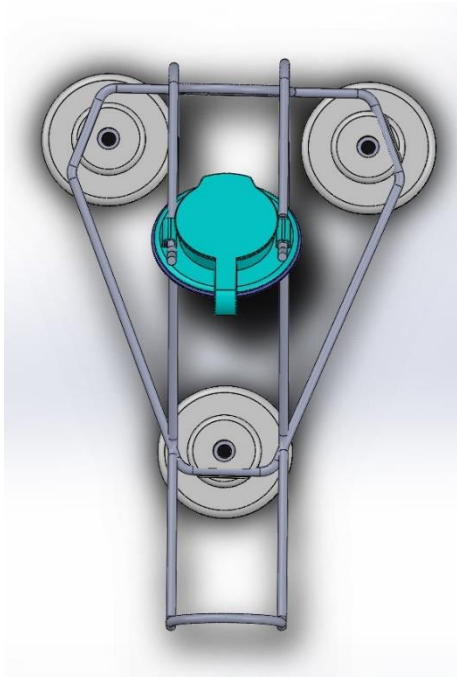
Recommended rotation method to tight full the fingertips maybe do not have enough strength to tighten full. Suggest to use the strength of the entire palm and wrist to rotate the knob tighten fully.

If you have any questions or problems with the product, email the seller info@mardini.info. We will do our best to respond promptly.

Installation onto the wall

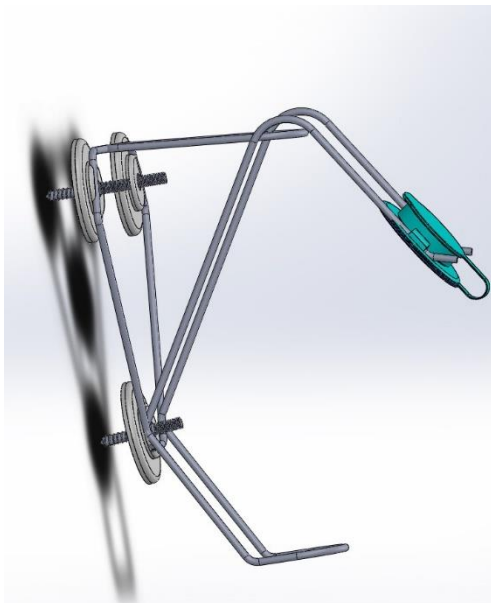
If the surface of the wall is not smooth enough to hold the stand the follow the bellow steps

Step 1



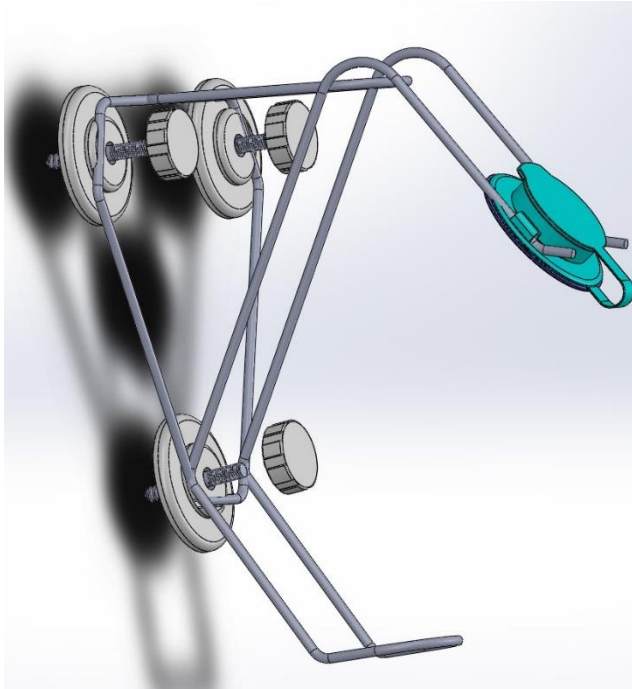
Hold the stand and suction cap top together against the wall and mark the wall with a pen where the hole will be made. The hole should be made with M10 drill bit and about 15cm deep.

Step 2



Insert the provided screws thought the suction cap

Step 3



Use the screws tap to tighten against the wall.

That's should secure your stand to use with not smooth surfaces.

Please note:

The screws are provided with the wall stand only.

Please let us know if you need any assistance regarding installation of our stands.