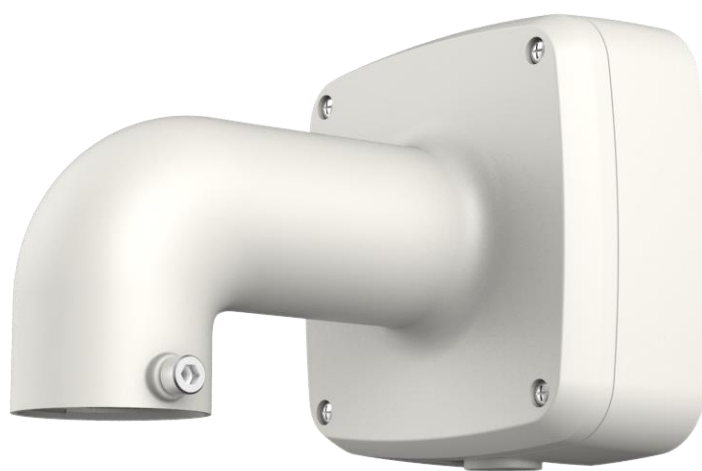


# DH-PFB302S

Wall Mount Bracket with IP66 Junction Box



## Features

- Neat & Integrated design
- Material: Aluminum
- Wall mount bracket with IP66 junction box

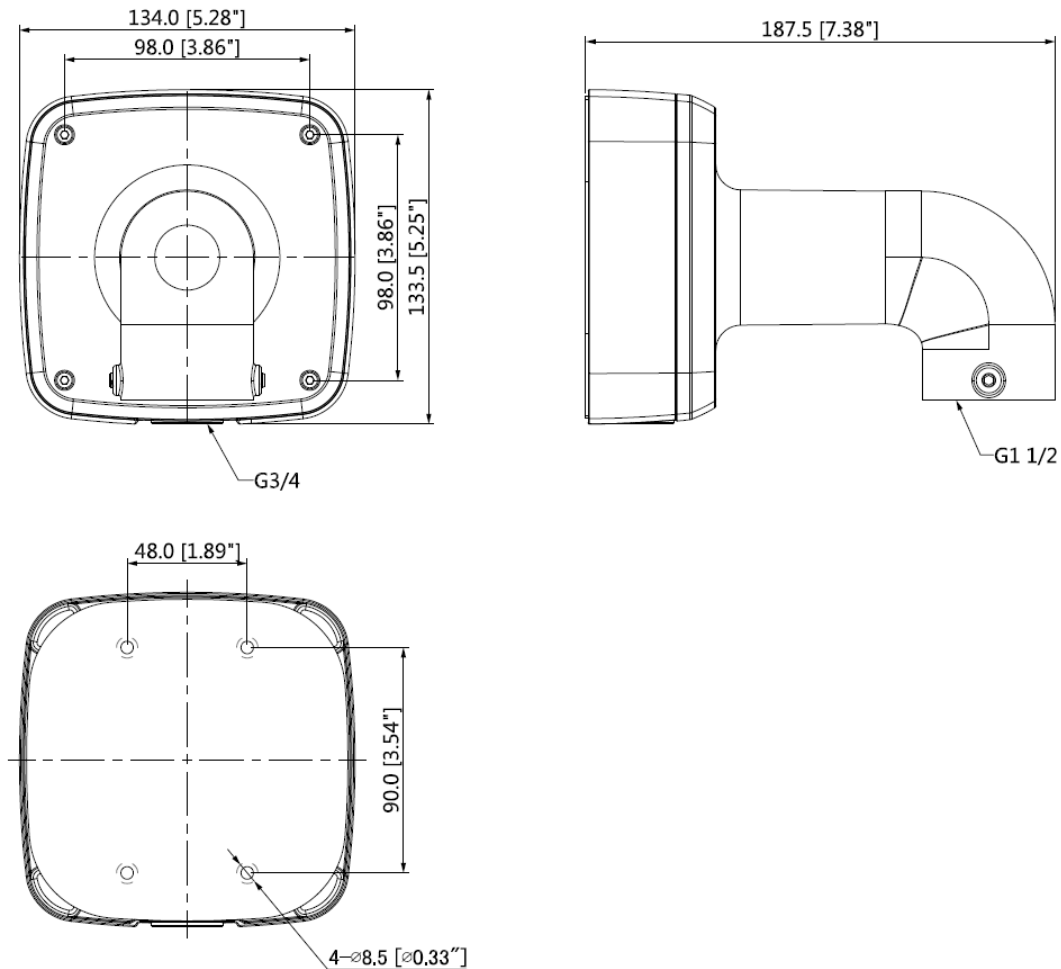
### Technical Specifications

|                       |   |
|-----------------------|---|
| <b>Model</b>          | <b>DH-PFB302S</b>                           |
| <b>General</b>        |   |
| Material              | Aluminum                                    |
| Dimension (W x H x D) | 134.0mmx133.5mmx187.5mm (5.28"x5.25"x7.38") |
| Pipe thread           | G3/4"                                       |
| Weight                | 0.7kg(1.54lb)                               |
| Load bearing          | 4.0kg(8.82lb)                               |
| Color                 | White                                       |
| Protection            | IP66  |
| Operating temperature | -40°C ~60°C(-40°F ~140°F)                   |
| Humidity              | 0~90% RH                                    |
| Applicable model      | Please see "Accessory Selection"            |

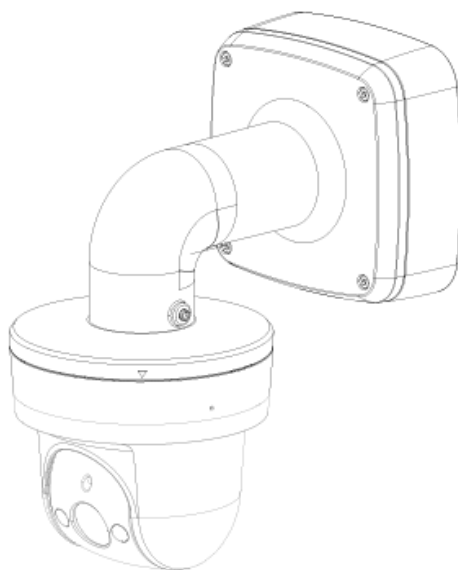
### Order Information

| Type         | Part Number | Description                               |
|--------------|-------------|---|
| Camera mount | DH-PFB302S  | Wall mount bracket with IP66 junction box |
|              | PFB302S     | Wall mount bracket with IP66 junction box |

### Dimensions (mm/inch)



## Application



## Package Information

- Wall mount bracket with IP66 junction box \*1
- ST4.2x25 screw \*4
- Plastic Anchor: 4
- S3.0 wrench \*1