

R.E.I. FINISH MOWERS

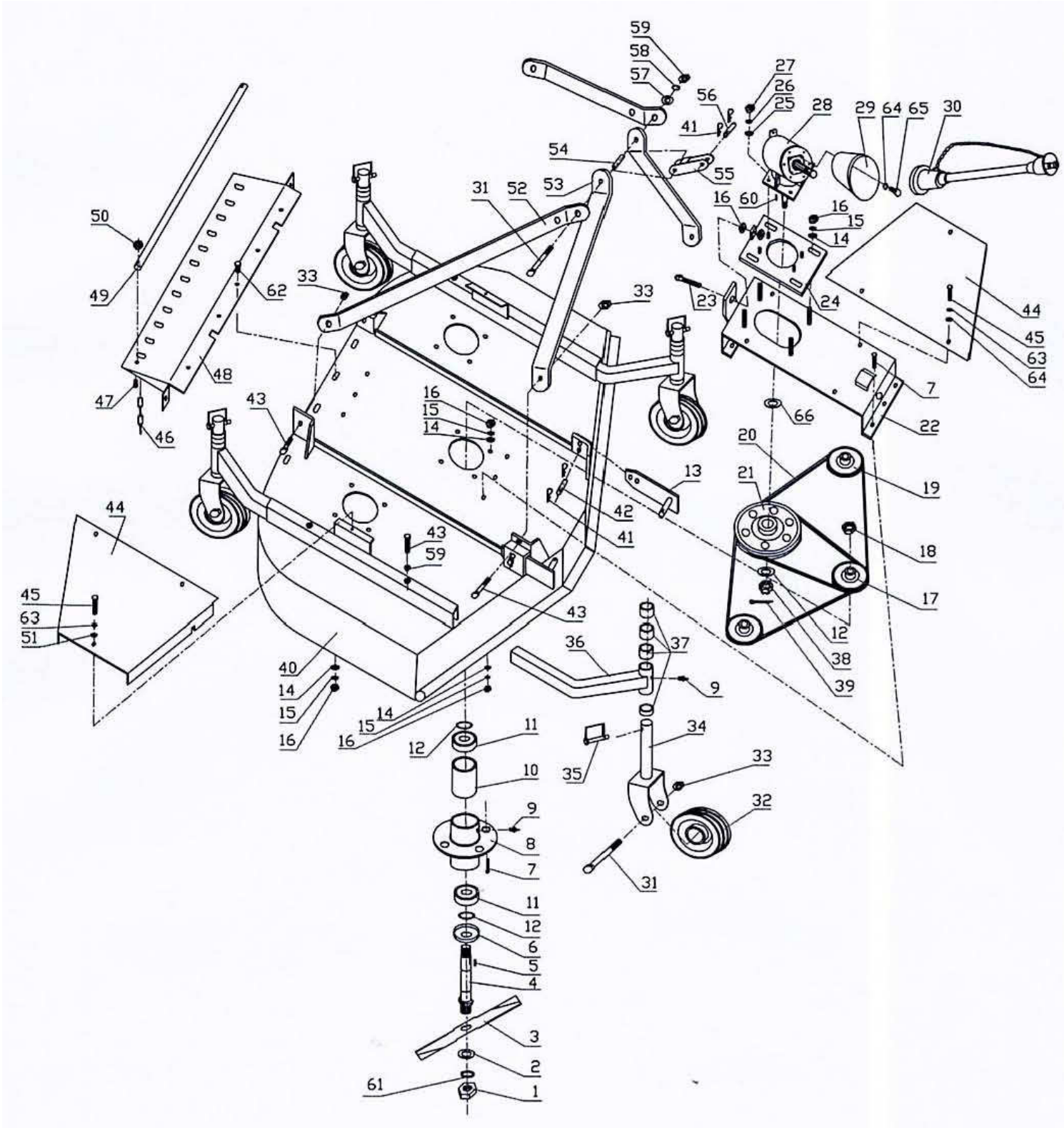
PARTS BOOK



Finishing Mower

Parts Breakdown

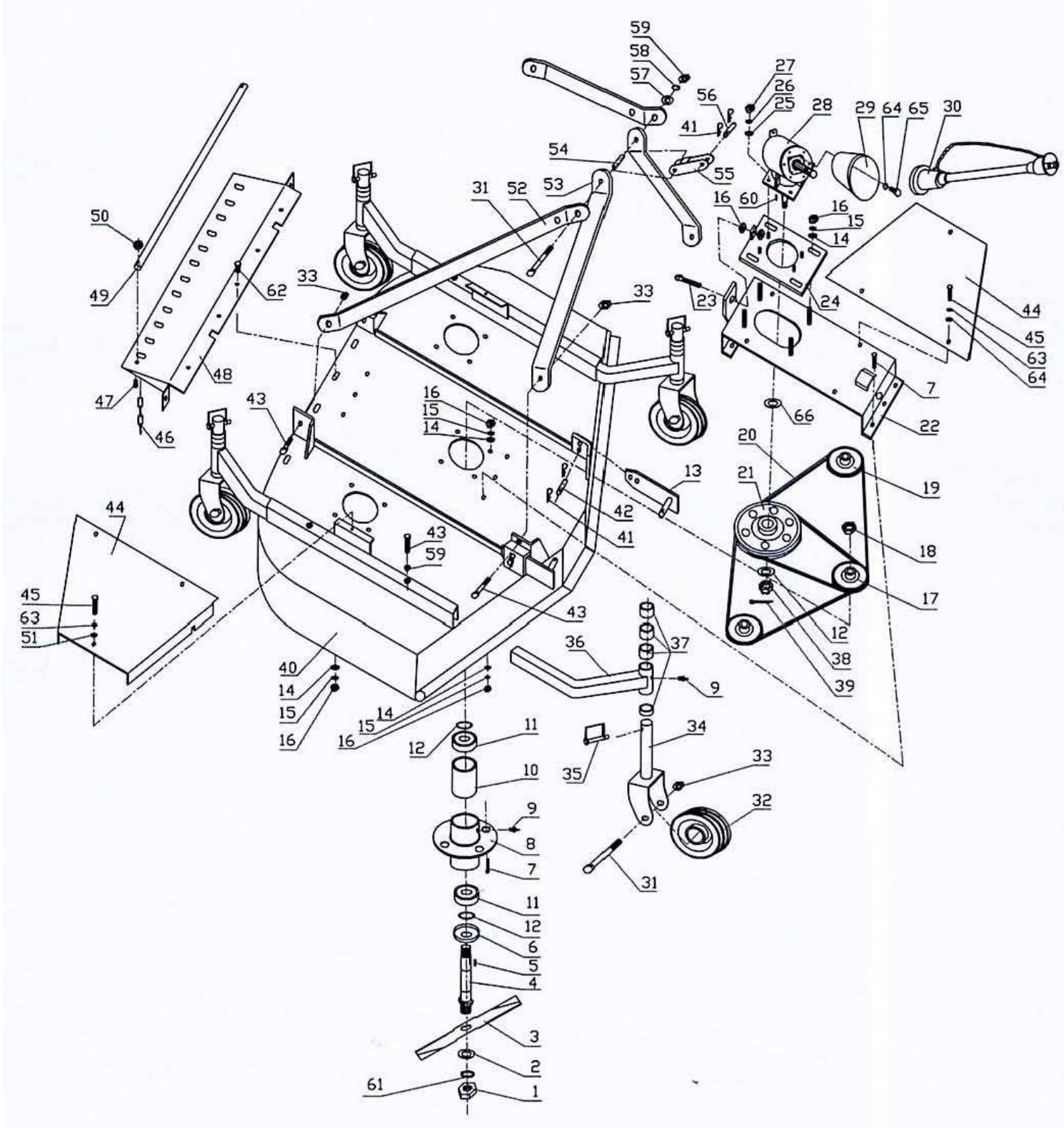
Finishing Mower Parts Diagram



Finishing Mower Parts Breakdown

POSITION	PART #	DESCRIPTION	SPECIFICATION	Q'TY
1	NM13150	Nut M18x1.5		3
2	FW18000	Flat Washer	18	3
3	FMB4001	Blade	4' 402X50X6	3
	FMB4002	Blade	5' 505X50X6	3
	FMB4003	Blade	6' 610X60X6	3
	FM10101	Blade Spindle Assembly		
4	FM10038	Blade Spindle Shaft		3
5	FM10039	Round End Key	8x7x30	3
6	FM10040	Dust Cap		3
7	BM10300	Bolt	M10x30	17
8	FM10041	Bearing Holder		3
9	FM10042	Grease Nipple		7
10	FM10043	Steel Sleeve		3
11	B6205RS	Bearing	6205RS	6
12	FW24000	Flat Washer	24	7
13	FM10044	Joint Plate	4' 5'	2
	FM10045	Joint Plate	6'	2
14	FW10000	Flat Washer	10	4': 27
	FW10000	Flat Washer	10	5': 28
	FW10000	Flat Washer	10	6': 29
15	LW10000	Lock Washer	10	4': 27
	LW10000	Lock Washer	10	5': 28
	LW10000	Lock Washer	10	6': 29
16	NM10000	Nut	M10	4': 27
	NM10000	Nut	M10	5': 28
	NM10000	Nut	M10	6': 29
17	FM10046	Double Pulley	4' 5'	1
	FM10047	Double Pulley	6'	1

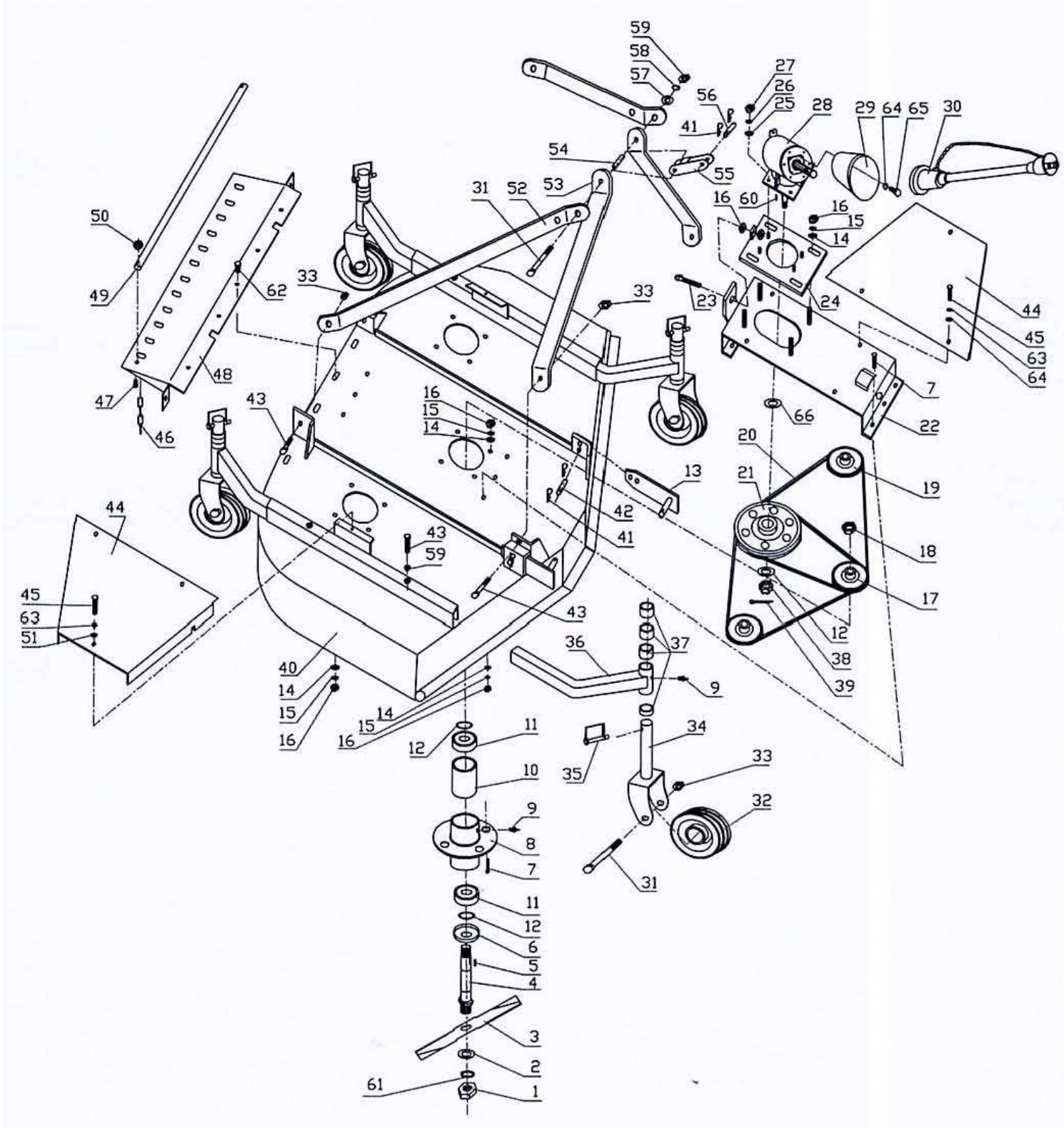
Finishing Mower Parts Diagram



Finishing Mower Parts Breakdown

POSITION	PART #	DESCRIPTION	SPECIFICATION	Q'TY
17	FM10046	Double Pulley	4' 5'	1
	FM10047	Double Pulley	6'	1
18	NM24150	Nut	M24x1.5	3
19	FM10048	Single Pulley	4' 5'	2
	FM10049	Single Pulley	6'	2
20	FM10050	V-Belt	4' B1372	2
	FM10051	V-Belt	5' B1575	
	FM10052	V-Belt	6' B1880	
21	FM10053	Main Input Pulley	4'	1
	FM10054	Main Input Pulley	5' 6'	1
22	FM10055	Gearbox Rest	4'	1
	FM10056	Gearbox Rest	5' 6'	1
23	ABM1080	Adjusting Bolt	M10x80	1
24	FM10057	Sliding Plate		1
25	FW16000	Flat Washer	16	4
26	LW16000	Lock Washer	16	4
27	NM16000	Nut	M16	4
28	FM10058	Gearbox		1
38	SNM2400	Slotted Nut	M24	1
39	FM10059	Cotter Pin		1
29	FM10060	Safety Guard		optional
30	FM10061	PTO	4'	1
	FM10062	PTO	5'	1
	FM10063	PTO	6'	1
31	BM12130	Bolt	M12x130	5
32 34-1 34-2	FM10064	Wheel	Φ208x79	4
	FM10065	Wheel Axle		8
	FM10066	Sleeve		4

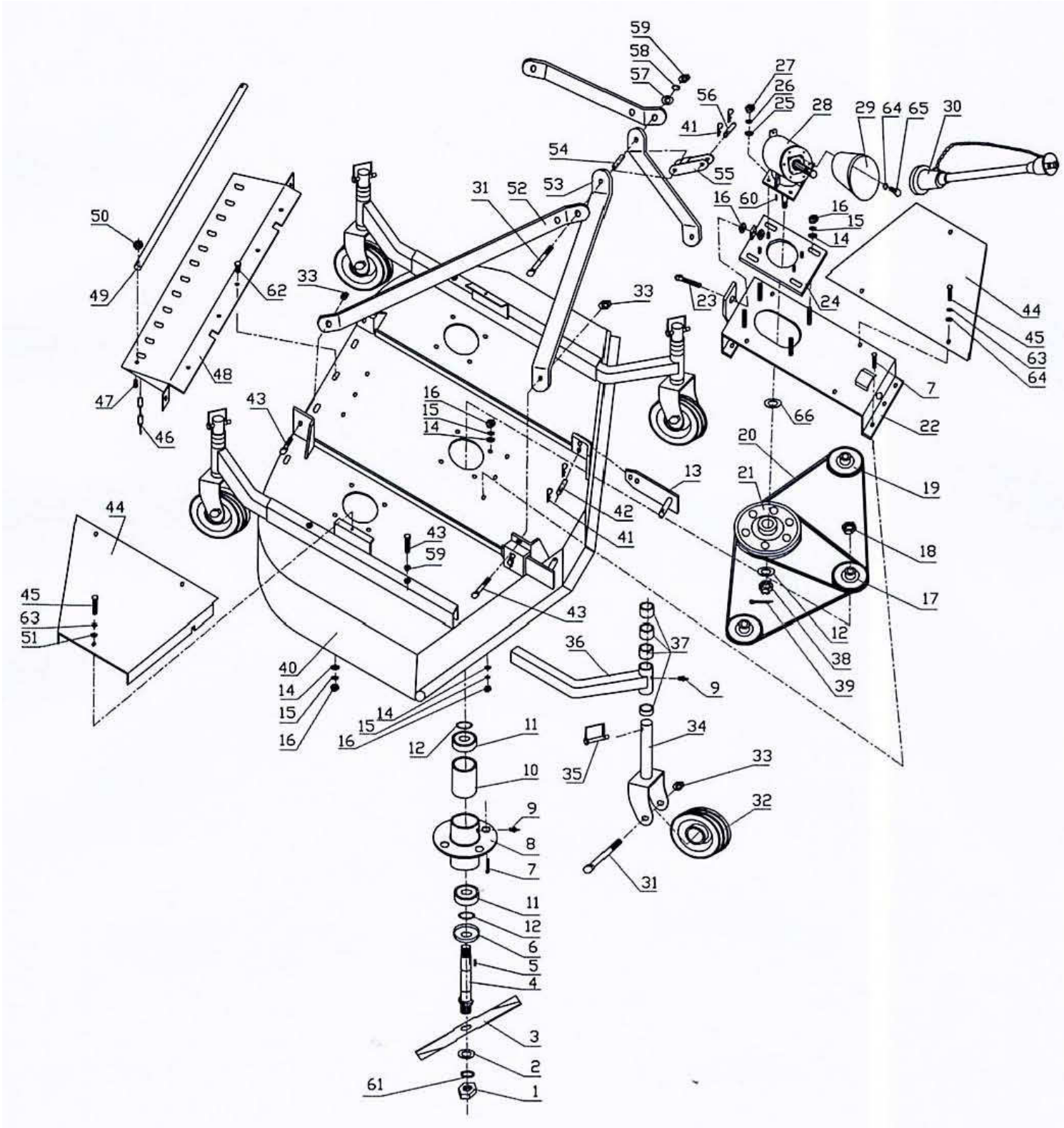
Finishing Mower Parts Diagram



Finishing Mower Parts Breakdown

POSITION	PART #	DESCRIPTION	SPECIFICATION	Q'TY
33	LNM1200	Lock Nut	M12	8
34	FM10067	Wheel Yoke		4
35	FM10068	Lock Pin		4
36	FM10069	Formed Axle	4'	4
	FM10070	Formed Axle	5' 6'	4
	FM10071	Formed Axle	5'	
	FM10072	Formed Axle	6'	
37	FM10073	Adjusting Brace		4': 3
	FM10074	Adjusting Brace		5': 3
	FM10075	Adjusting Brace		6': 4
40	FM10076	Main Deck	4'	1
	FM10077	Main Deck	5'	1
	FM10078	Main Deck	6'	1
41	FM10079	Hair Pin		6
42	FM10080	Pin		2
43	BM12400	Bolt	M12x40	8
44	FM10081	Belt Guard	4'	2
	FM10082	Belt Guard	5'	2
	FM10083	Belt Guard	6'	2
45	BM81500	Bolt	M8x15	6
46	FM10084	Chain		4': 17
	FM10085	Chain		5': 24
	FM10086	Chain		6': 35
47	BM62500	Bolt	M6x25	2
48	FM10087	Deflector	4'	1
	FM10088	Deflector	5'	1
	FM10089	Deflector	6'	1

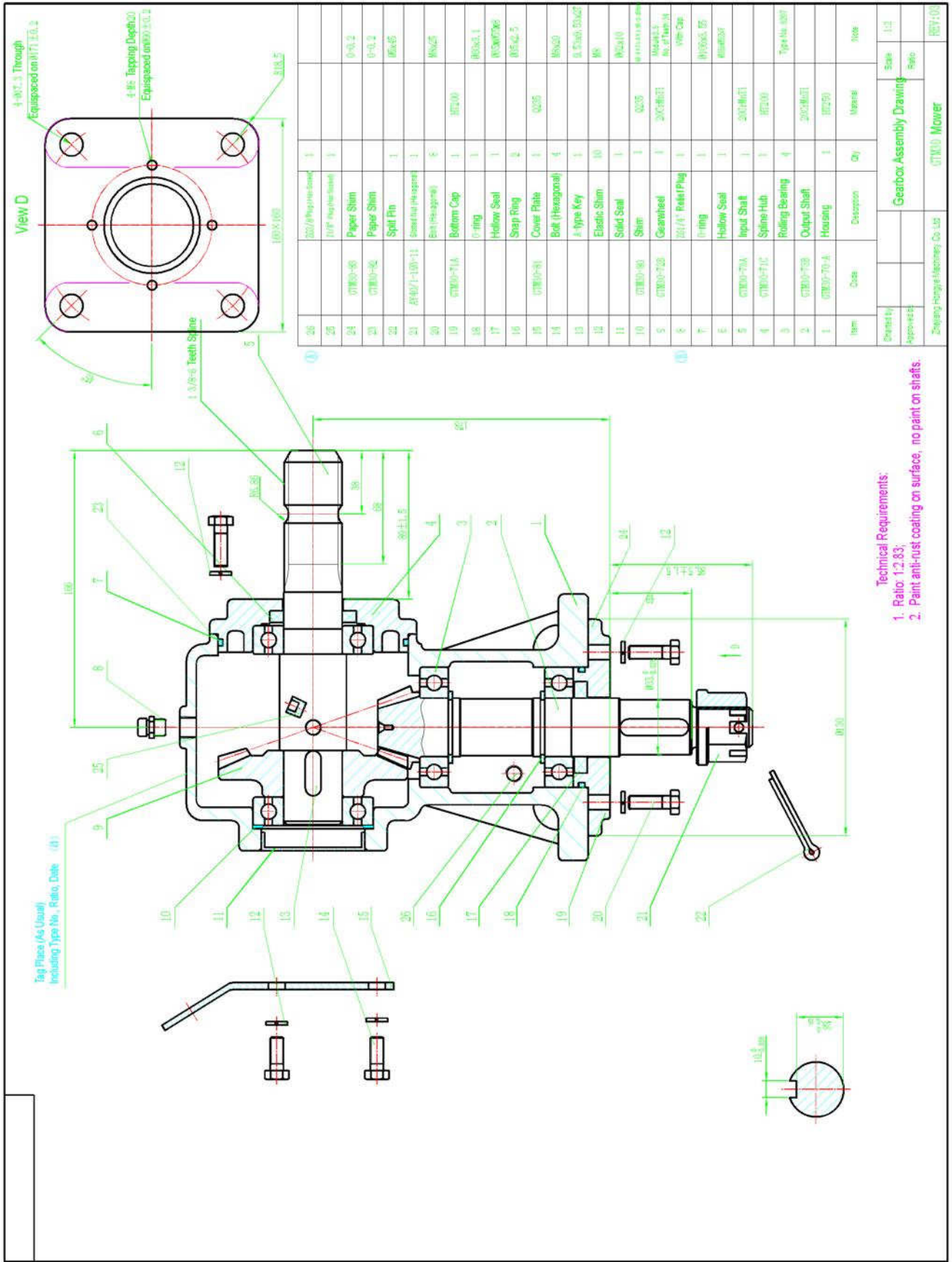
Finishing Mower Parts Diagram



Finishing Mower Parts Breakdown

POSITION	PART #	DESCRIPTION	SPECIFICATION	Q'TY
49	FM10090	Chain Rod	4'	1
	FM10091	Chain Rod	5'	1
	FM10092	Chain Rod	6'	1
50	LNM6000	Lock Nut	M6	2
51	FW80000	Flat Washer	8	6
52	FM10093	Rear Brace	4'	2
	FM10094	Rear Brace	5'	2
	FM10095	Rear Brace	6'	2
53	FM10096	Front Brace		2
54	FM10097	Brace		1
55	FM10098	Upper Hitch		1
56	FM10099	Pin		1
57	FW12000	Flat Washer	12	1
58	LW12000	Lock Washer	12	1
59	NM12000	Nut	M12	5
60	FM10100	Gearbox Key	10x8x38	1
61	LW18000	Lock Washer	18	3
62	BM10250	Bolt	M10x25	4': 6
	BM10250	Bolt	M10x25	5': 7
	BM10250	Bolt	M10x25	6': 8
63	LW80000	Lock Washer	8	6
64	FW12000	Flat Washer	12	4
65	BM81200	Bolt	M8x12	4
66	FW00000	Flat Washer		1

Finishing Mower PTO Breakdown



QTY	Part No.	Description	Material	Notes
1	022/Phy/3000	3000/Phy/3000	3000	
1	019/Phy/3000	3000/Phy/3000	3000	
1	018/Phy/3000	3000/Phy/3000	3000	
1	017/Phy/3000	3000/Phy/3000	3000	
1	016/Phy/3000	3000/Phy/3000	3000	
1	015/Phy/3000	3000/Phy/3000	3000	
1	014/Phy/3000	3000/Phy/3000	3000	
1	013/Phy/3000	3000/Phy/3000	3000	
1	012/Phy/3000	3000/Phy/3000	3000	
1	011/Phy/3000	3000/Phy/3000	3000	
1	010/Phy/3000	3000/Phy/3000	3000	
1	009/Phy/3000	3000/Phy/3000	3000	
1	008/Phy/3000	3000/Phy/3000	3000	
1	007/Phy/3000	3000/Phy/3000	3000	
1	006/Phy/3000	3000/Phy/3000	3000	
1	005/Phy/3000	3000/Phy/3000	3000	
1	004/Phy/3000	3000/Phy/3000	3000	
1	003/Phy/3000	3000/Phy/3000	3000	
1	002/Phy/3000	3000/Phy/3000	3000	
1	001/Phy/3000	3000/Phy/3000	3000	

Drawing No. 100-1000-001
 Drawing Date 10/10/00
 Drawing Scale 1:1
 Drawing Title Gearbox Assembly Drawing
 Drawing Author [Name]
 Drawing Checker [Name]
 Drawing Approver [Name]
 Drawing Date 10/10/00
 Drawing Scale 1:1
 Drawing Title Gearbox Assembly Drawing
 Drawing Author [Name]
 Drawing Checker [Name]
 Drawing Approver [Name]
 Drawing Date 10/10/00
 Drawing Scale 1:1
 Drawing Title Gearbox Assembly Drawing

Richey Equipment Inc.
P.O.Box 609
White Pine, Tn. 37890
865-674-6042
www.richeyequipment.com