

Installation Guide:

Trex[®] w/ Horizons[™]

HORIZONTAL FENCE SYSTEM



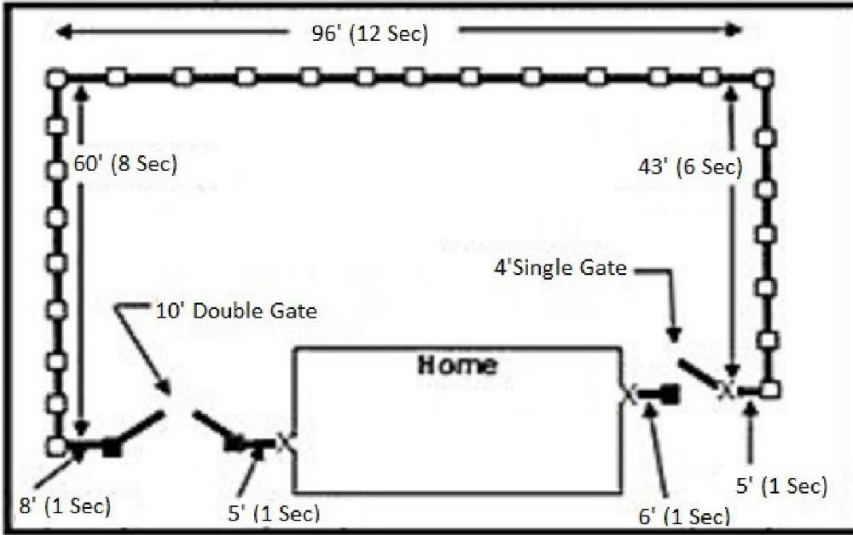
Call us:

(801) 852-8542

alliancefencesupply.com/trex-fencing

Plan Your Fence

Sample Fence Sketch and Measurements



□ line post

■ starting post

X terminal post

Figure the number of sections for each line by dividing the length of each line in inches by 97. Round any remainder up.

Calculate Materials

The material calculations on this form are intended for rough estimation based on 8' section. Actual numbers may vary.

# of Sections (Divide each line by 97" and round up; add total # of sections):	6' Trex^{w/} Horizons	# of Terminal Posts
--	--------------------------------------	---------------------

Items Needed (Per 8' Section)		Multiplier	Total Materials For Sections	Qty. For Gates		Total Materials
Material	Quantity			Single	Double	
6' Horizons Frame Kit	1	x (# of sections)		n/a	n/a	
8' Trex Pickets	15	x (# of sections)		n/a	n/a	
9' Trex Post	1	x (# of sect. + Terminal Posts)		n/a	n/a	
Trex Post Caps	1	x (# of posts)		n/a	n/a	
80 lbs Bag Concrete	2	x (# of posts)		n/a	n/a	
Steel post insert	based on # of hinge posts					
# of Single Gate(s)			Single Gate Hardware Kit(s)			
# of Double Gate(s)			Double Gate Hardware Kit(s)			

- For standard single gates (46 1/4" opening): (1) small Trex Horizons gate panel, 1 steel post insert, and (1) Trex Horizons single gate hardware kit
- For standard double gates (130 3/4" opening): (2) large Trex Horizons gate panels, (2) steel post inserts, and (1) Trex Horizons double gate hardware kit

Note: Standard Horizons frames and fasteners are made of powder-coated, galvanized steel. Standard Horizons should not be installed within 5 miles of a body of salt water or in close contact with the ground (adapt bottom rail if necessary as described on page 12, 7B). Stainless steel frame components are available as an alternative to standard Horizons frames and screws.

Tools Needed

- | | |
|---|---|
| <input type="checkbox"/> Stakes | <input type="checkbox"/> Circular Saw |
| <input type="checkbox"/> String Line | <input type="checkbox"/> Drill |
| <input type="checkbox"/> Marking Paint | <input type="checkbox"/> Pencil |
| <input type="checkbox"/> Hammer | <input type="checkbox"/> Wheelbarrow |
| <input type="checkbox"/> Tape Measure | <input type="checkbox"/> 4' Level |
| <input type="checkbox"/> Shovel | <input type="checkbox"/> Miter Saw |
| <input type="checkbox"/> Post Hole Digger | <input type="checkbox"/> Speed Square |
| <input type="checkbox"/> Digging Bar | <input type="checkbox"/> Finish Nail Gun (optional) |

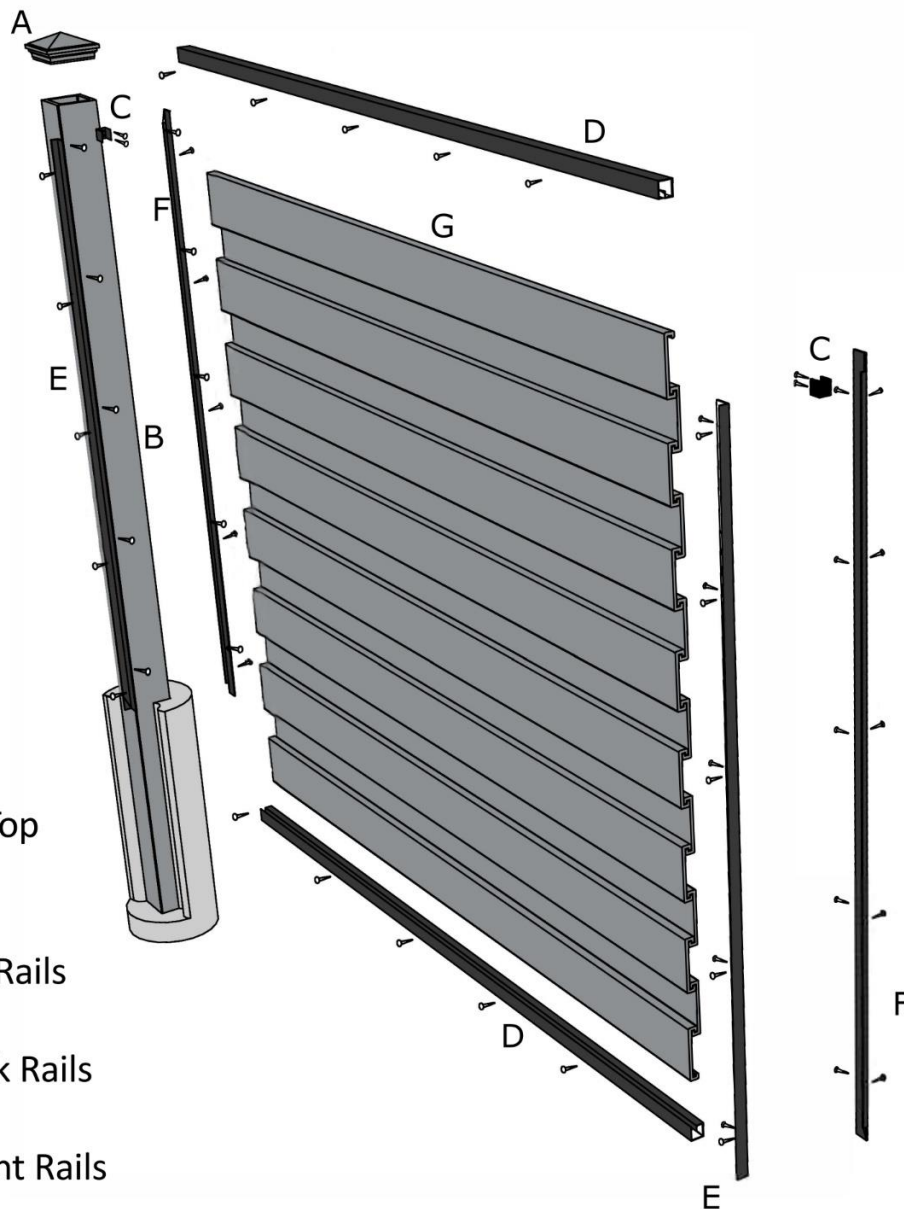
Before you begin

- Confirm location of underground utilities with local providers before you dig.
- Check local HOA and zoning laws which may regulate the height and placement of your fence.
- Apply for local permits as directed by local code
- Wear proper safety protection for eyes and ears.

Trex® w/ Horizons™

HORIZONTAL FENCE SYSTEM

Exploded View

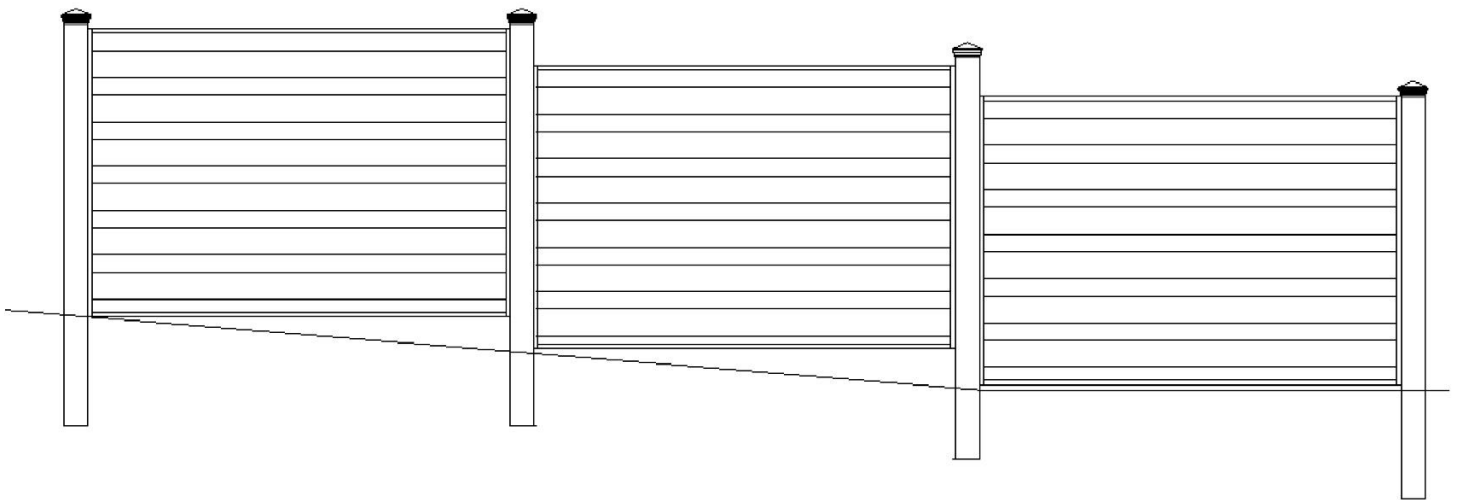


- A. (1) Trex® Post Cap
- B. (1) Trex® Post
- C. (2) Horizons™ Horizontal Top Rail Brackets
- D. (2) Horizons™ Horizontal Rails
- E. (2) Horizons™ Vertical Back Rails
- F. (2) Horizons™ Vertical Front Rails
- G. (15) Trex® Fence Pickets (91-1/2")
- H. (50) #10 x 3/4" Panhead Screws

Trex® is a federally registered trademark of Trex Company, Inc., Winchester, Virginia. Horizons™ Horizontal Fence System is a trademark of FDS Distributors. Patent Pending.

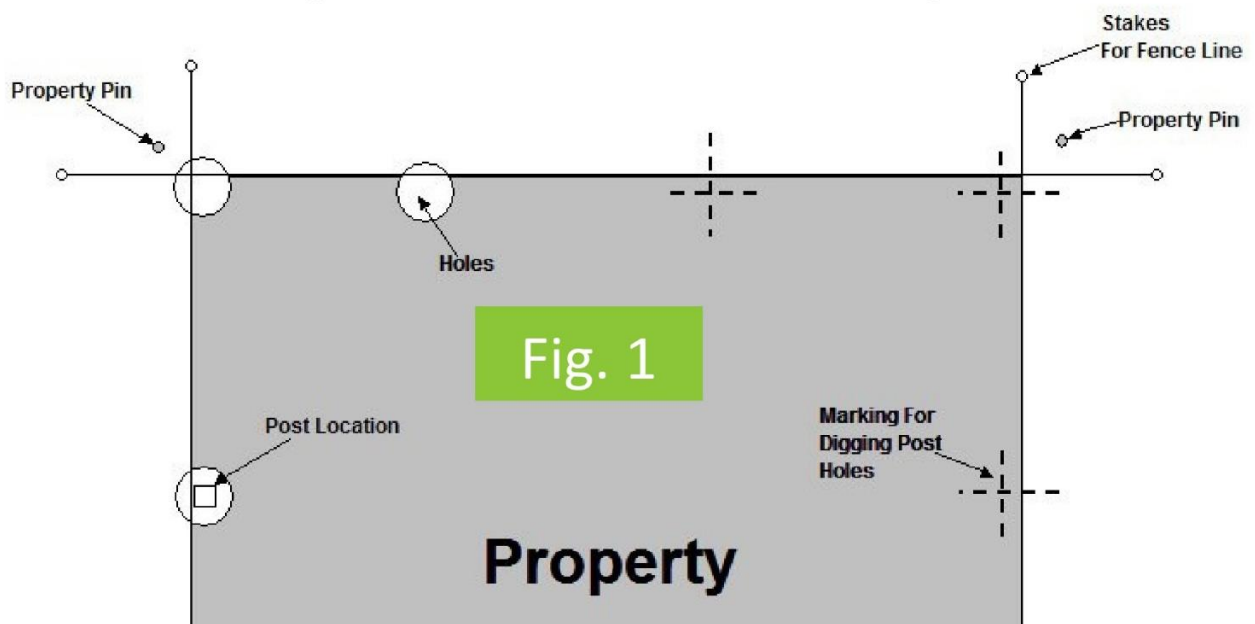
Step 1: Understand Install Method

1. Step Method: This method gradually “steps” up the slope and the rails remain level. This may leave gaps under the fence. The downhill post will need to be set taller. Longer posts may be required. When laying out the fence post spacing, measure on a level line from one post to another.



Step 2: Stake and String

1. Stake & string fence lines. Drive stakes approx. 2 ft. beyond property pins so that stakes will not be disturbed when digging holes and approx. 4-5 inches inside of property pins to insure not to encroach on neighbors property (See Fig.1).
2. Mark Location of Posts. Spray paint a line perpendicular to the string every 97" on center. Ideal spacing *between* posts is 92". If sections are shorter, this will require horizontal rails and pickets to be cut for length. Spray an additional line (making a cross) 2" in from the string to mark the center of the hole (see Fig. 1).



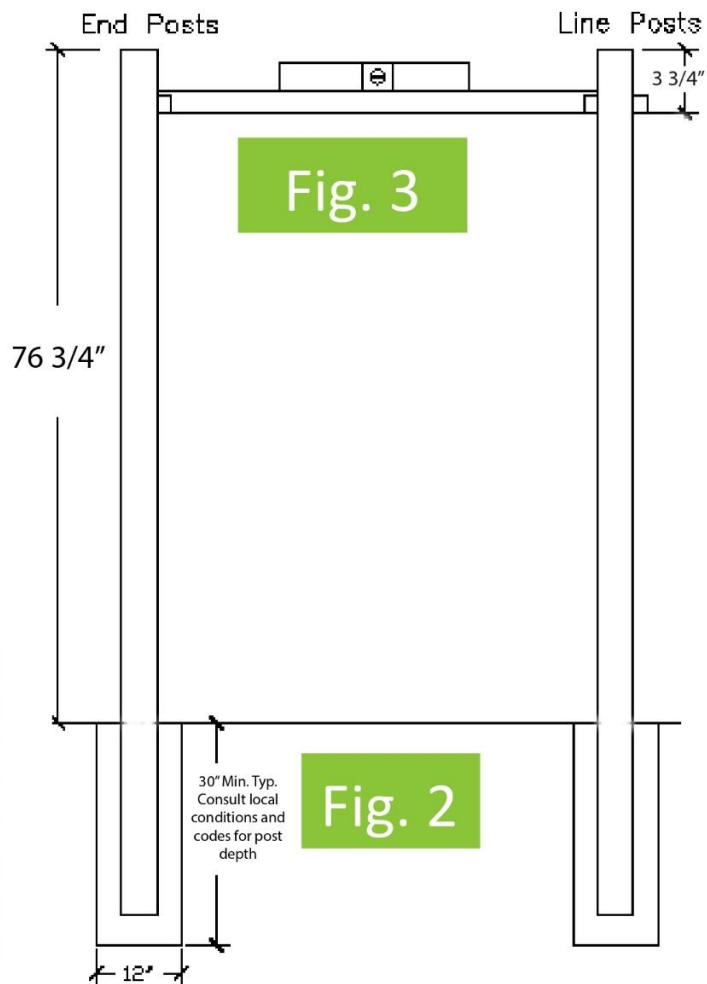
Step 3: Dig Holes

1. Dig the holes for the posts making sure not to disturb the stakes for the string. The string may be removed and replaced after holes are dug. The holes should be approximately 12" diameter and 30" deep (consult local conditions and codes). Holes should be dug so they allow equal amounts of concrete on all sides of posts (see fig. 2).

Step 4A: Setting Posts on Level Grade

If posts will be set on sloping or uneven ground, or will be stepping, skip to step 4B.

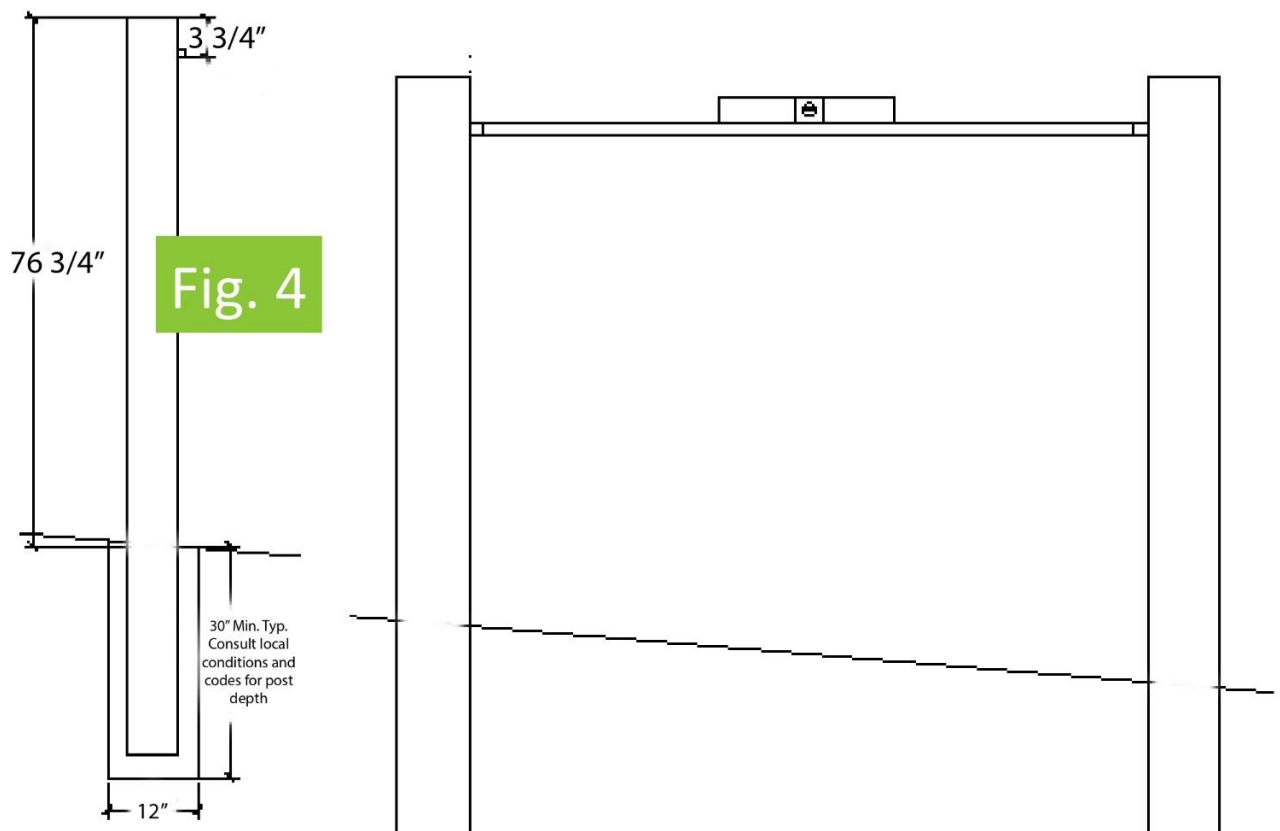
1. Attach a horizontal top rail bracket using two screws (3 3/4" below the top of each post). End posts will only have one bracket that faces the fence section, line posts will have brackets, attached on two sides (see Fig.3)
2. Set the first post in the hole. Plumb and level the post to the string line (ensure that the post is 76 3/4" high*) and fill the hole around the post with concrete mix.
3. Place post into the next hole. Place a horizontal rail onto the brackets. Use a level on the rail and raise or lower the post until it is level with the previous post. This rail will also ensure that your posts are spaced correctly (see Fig.3). Plumb and level the post to the string line and fill the hole around the post with concrete mix.
4. Continue this process until all posts are set.



* Note:				
Height of Fence	8'	7'	6'	5½'
actual height	94"	84"	74 1/2"	64 3/4"
Post Height	96 1/4"	86 1/4"	76 3/4"	67"
# of Pickets	19	17	15	13
Height of Fence	5'	4'	3'	2'
actual height	55 1/4"	45 3/4"	36 1/4"	27"
Post Height	57 1/2"	48"	38 1/2"	29 1/4"
# of Pickets	11	9	7	5

Step 4B: Setting Posts on a Slope

1. Attach a horizontal top rail bracket $3\frac{3}{4}$ " below the top of the post to one side of each post using two screws (see Fig.4).
2. Set the uphill post first. This post should be set at $76\frac{3}{4}$ " tall with the bracket facing to the next post down hill. Plumb and level the post to the string line. Fill the hole around the post with concrete mix (see Fig. 4).
3. Place the next downhill post in its hole with the bracket facing uphill towards the last post that you set. Place a horizontal rail onto the brackets of the two posts and place a level on the rail. Adjust the post height of the downhill post until the rail is level (see Fig. 5). This will also ensure that posts are spaced correctly. Plumb and level the post and fill the hole around the post with concrete mix.

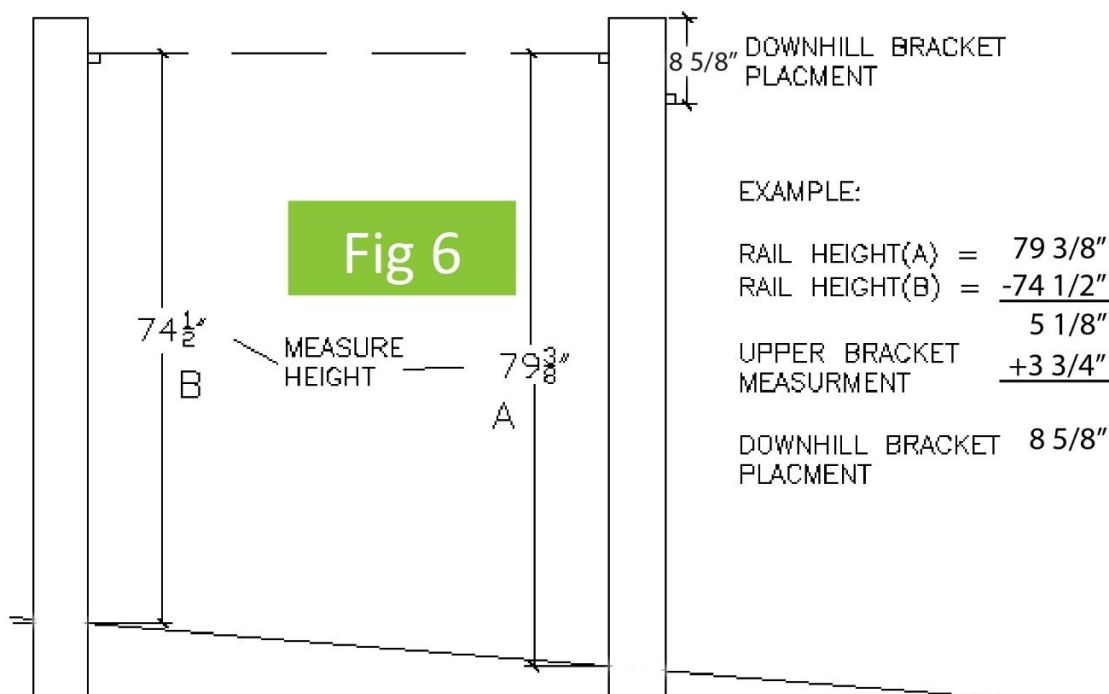


Installation Guide:

Trex® w/ Horizons™

HORIZONTAL FENCE SYSTEM

- Attach a horizontal top rail bracket to the downhill side of the post. To determine the location of this bracket, measure from the horizontal rail to the ground on the uphill side of the post, and subtract this from the height of the rail on the first post. Add this measurement to 3 3/4" and this will be the placement of the downhill bracket (see Fig. 6).



- Repeat steps 3 and 4 until all posts are set.

Step 5: Cut Horizontal Rails

- If you have sections that are shorter than 92" between posts, you will need to cut the horizontal rails for length. Measure between the posts and cut the rails using a metal cutting blade. Be sure to cut only one end of the rails (see Fig. 7). Touch up the cut end using a zinc rich primer and a matching top coat to help prevent rust.

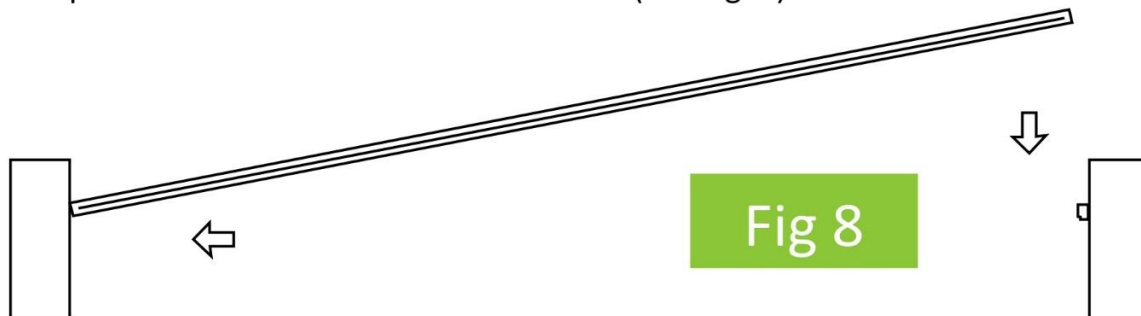


Installation Guide:

Trex[®] w/ Horizons[™]

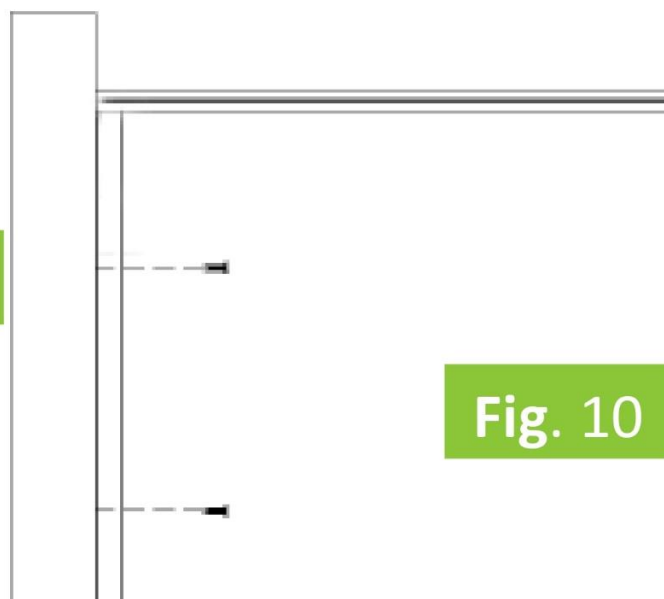
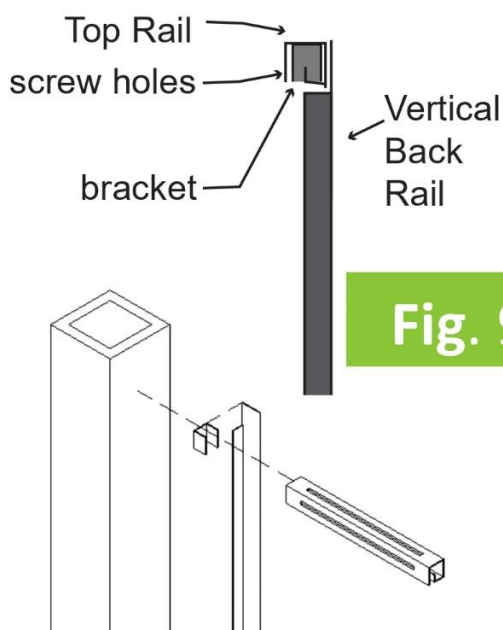
HORIZONTAL FENCE SYSTEM

2. Place a horizontal rail over the brackets with the screw holes facing you. If the rail has been cut, you will need to slide the cut end over one bracket first and then drop the other end over the other bracket (see Fig. 8).



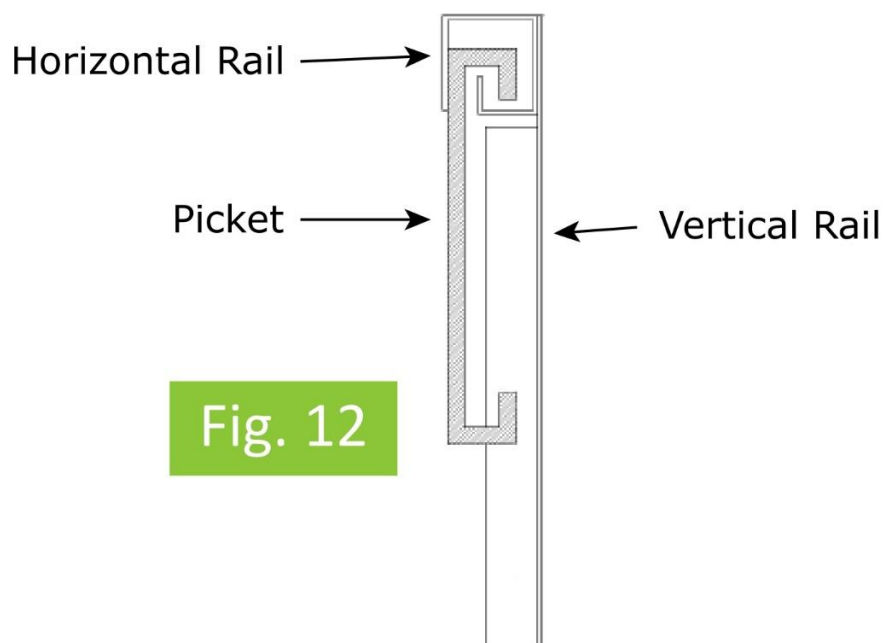
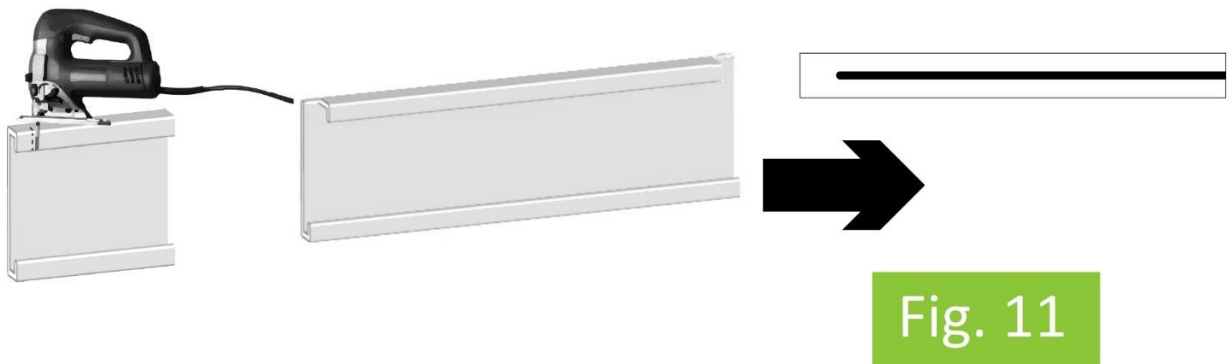
Step 6: Attach Vertical Back Rails

1. Attach a vertical back rail (angle with notch) to the post on each end of the horizontal rail. Place the vertical back rail so the notch fits around the bracket and the back rail is snug and flush with the horizontal rail (see Fig. 9). The screw holes on the horizontal rail should be on the side opposite the vertical back rail. Attach the rails to the posts using the provided screws (see Fig. 10).



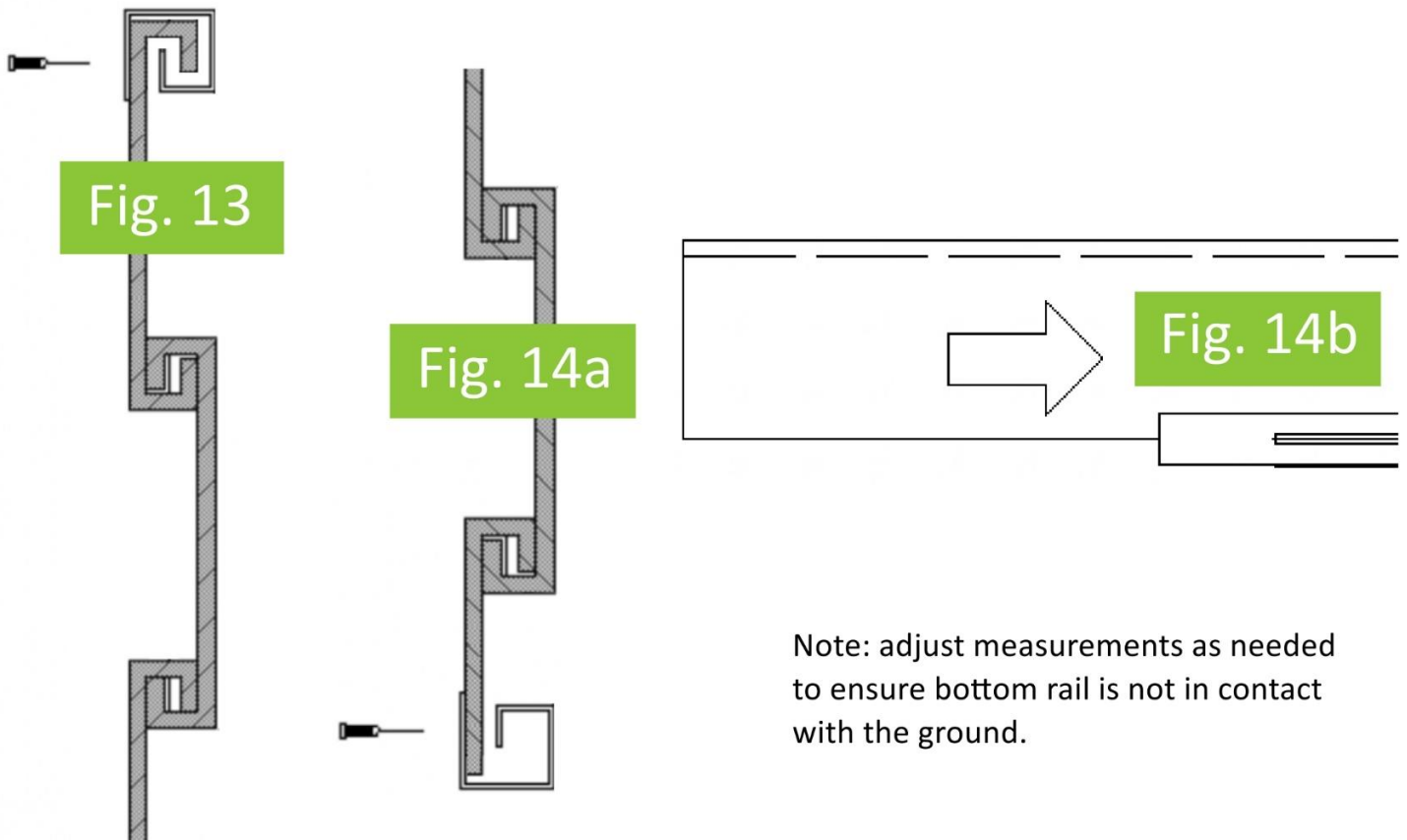
Step 7A: Notch and Hang Top Picket

1. Make a 1" notch on each end of the first picket as shown below (see Fig. 11).
If necessary, cut pickets for length. Pickets should be 3/8" shorter than the opening between vertical rails to allow for expansion.
2. Remove the horizontal rail and slide the picket onto the rail with the notches facing upwards (see Fig. 11). With picket in place, drop the rail back over the brackets, being sure to face the picket knuckles toward the vertical back rail (see Fig. 12).



Step 7B: Hang The Pickets

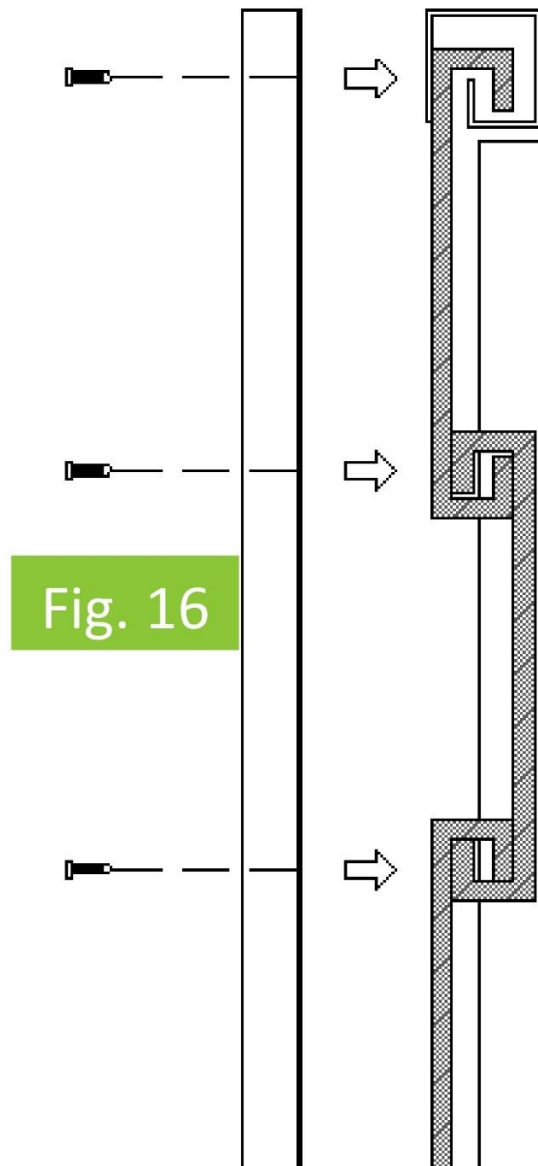
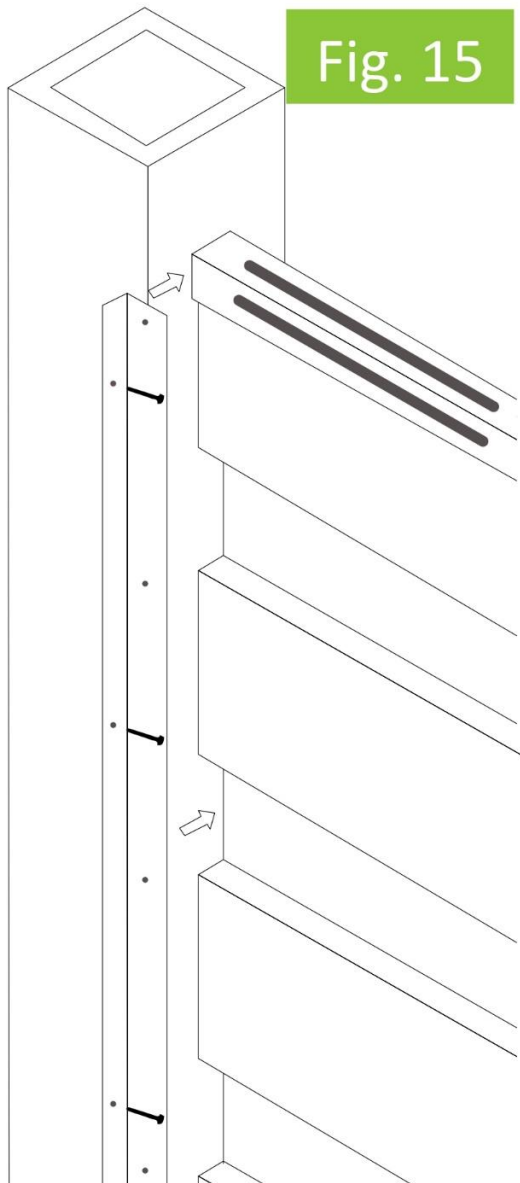
1. Hang the remaining 14 pickets from the top picket by interlocking them to each other (see Fig. 13). Due to color variations that may be present, we recommend installing similar color pickets together within the same section of fence.
2. Before installing the last picket, slide the remaining horizontal rail onto the bottom picket. If the bottom horizontal rail extends below the vertical side rails, cut the last picket so the horizontal rail is flush with the bottom of the vertical rails. Slide the cut edge of the picket into the bottom horizontal rail and attach with screws (see Fig. 14a). Then, hang the last picket onto the rest of the pickets (see Fig. 14b).
Note: Pickets should be $3/8$ " shorter than opening between vertical rails to allow for expansion.



Note: adjust measurements as needed to ensure bottom rail is not in contact with the ground.

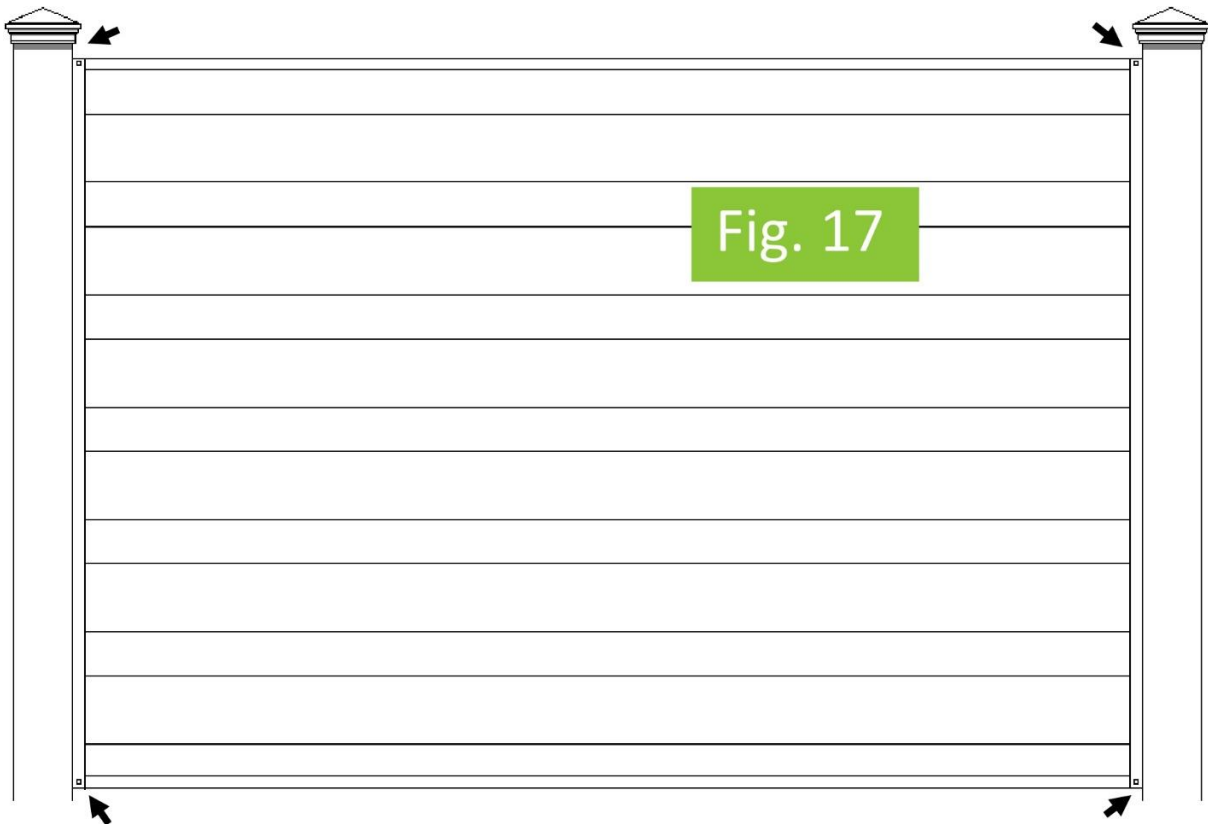
Step 8: Attach Vertical Front Rails

1. Attach a vertical front rail to the post on each end, opposite the vertical back rail. The shorter flange should lay flat against the post and the larger flange should be pushed tightly against the pickets. Hold it flush against the top of the top rail and attach the vertical front rails to the posts (see Fig. 15).
2. Screw the vertical front rails and horizontal rails to the pickets (see Fig. 16).



Step 9: Secure Vertical Rails to Horizontal Rails

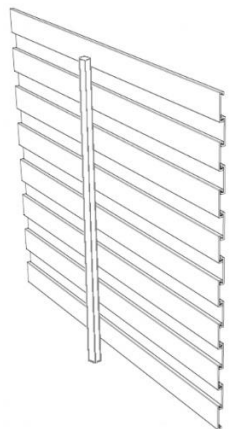
1. Secure the vertical rails to the horizontal rails using the provided screws in each corner on both front and back sides (see Fig. 17). Pre-drill each hole using a 5/32" drill bit.



2. Place post caps onto the post and secure using adhesive or finish nails (see Fig. 18).

Tip: If you are installing Horizons in an area with high heat and humidity, consider using a back bracing rail to reduce the risk of warping boards.

Contact FDS for pricing and instructions.

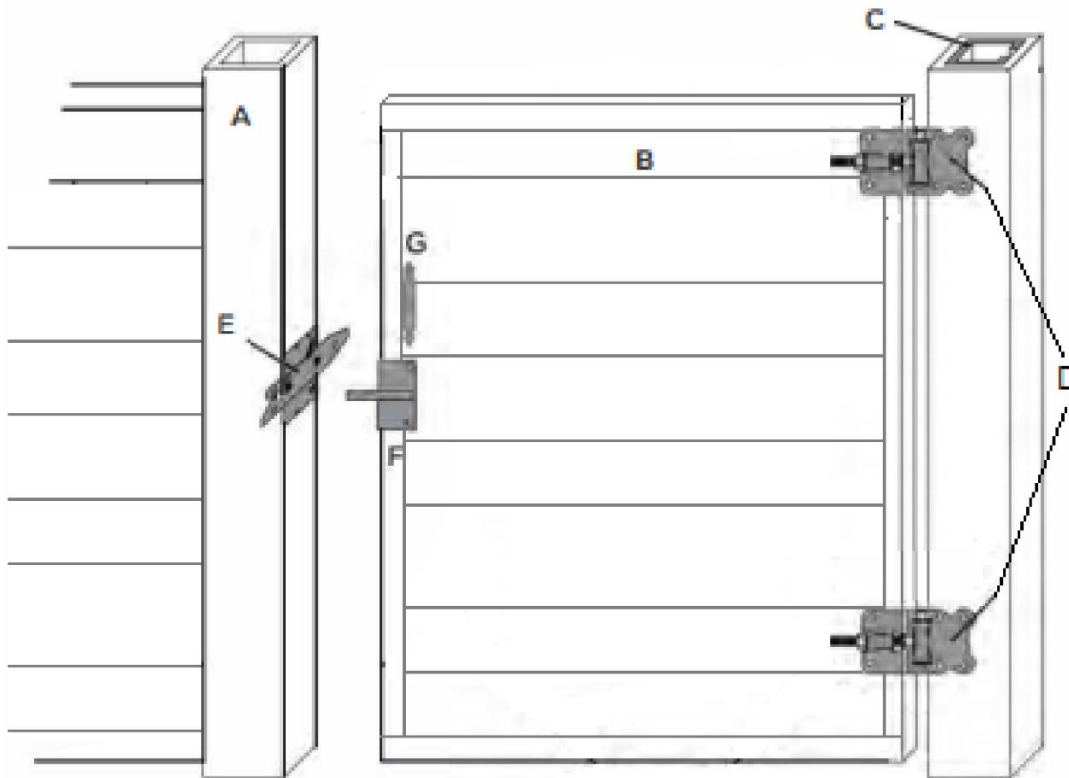


Trex® w/ Horizons™

HORIZONTAL FENCE SYSTEM

Install Single Gate

- A. Trex® Fence Post
- B. Horizons™ Gate Panel
- C. FDS Steel Post Stiffener
- D. FDS Gate Hinge (2)
- E. Horizons™ Gate Latch
- F. Horizons™ Gate Striker
- G. FDS Gate Handle (2)



Trex® is a federally registered trademark of Trex Company, Inc., Winchester, Virginia.
Horizons™ Horizontal Fence System is a trademark of FDS Distributors. Patent Pending.

Installation Guide:

Trex[®] w/ Horizons[™]

HORIZONTAL FENCE SYSTEM

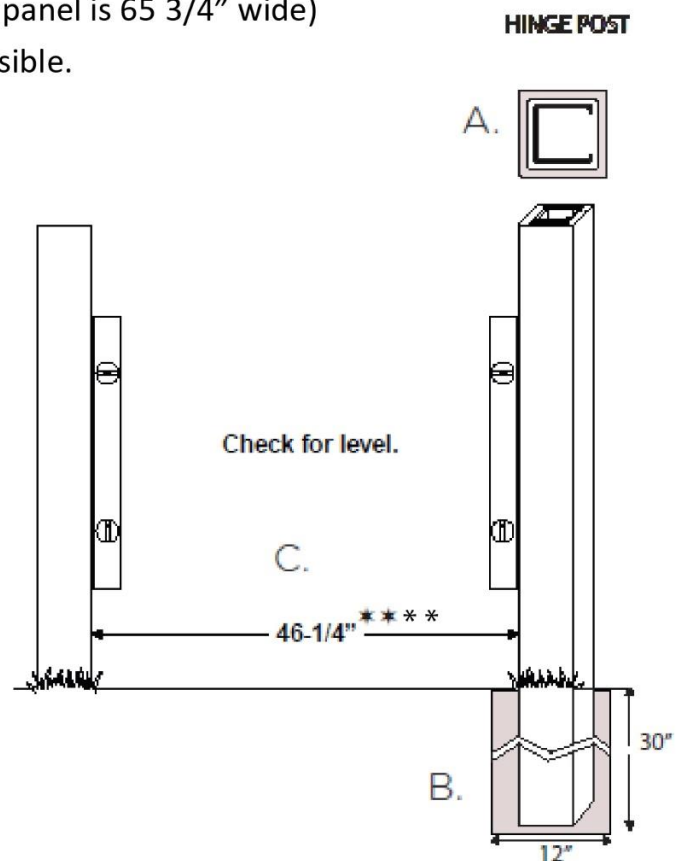
(Single Gate) Step 1: Set the Gate Posts

- Slide the Steel Post Stiffener* into the hinge post. The open side of the steel stiffener should be placed so it faces away from the gate opening.
- Set posts** into post holes. The holes should be 30" deep by 12" wide***. Plumb and level posts so they are parallel with each other and fill the hole with concrete mix.
- The opening (measuring from the inside face of one post to inside face of the other post) for a standard size Trex Horizons Gate panel should be 46 1/4". (****The opening for a standard Large Size Trex Gate panel is 65 3/4" wide) Custom heights and widths are possible.

***Note:** If the Hinge Post is not connected to a fence panel or if a large gate panel is used, it may be necessary to use a Heavy Duty Steel Post Stiffener for additional strength.

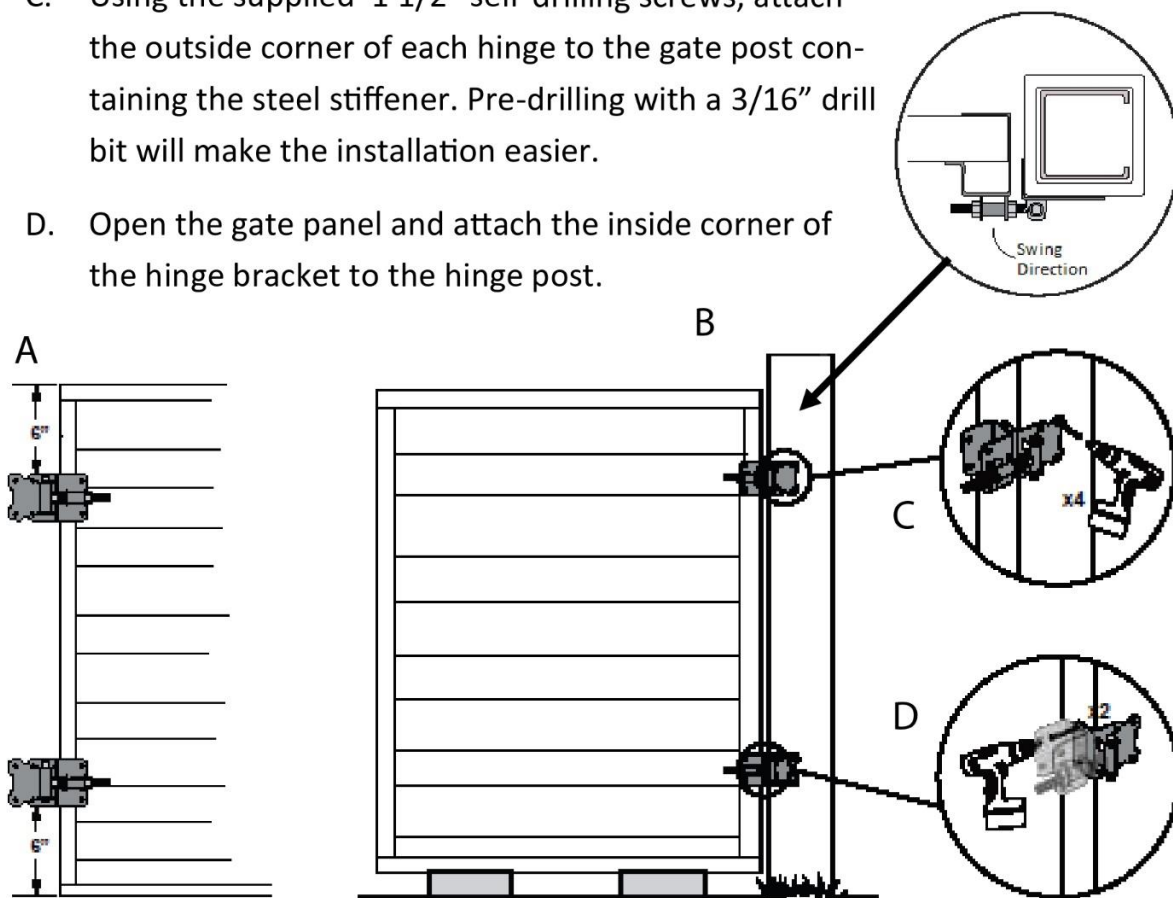
**** Note:** Due to concrete cure times, set the gate posts 2-3 days before gate is installed.

*****Note:** Consult local conditions and codes for actual depth.



(Single Gate) Step 2: Install the Gate Panel

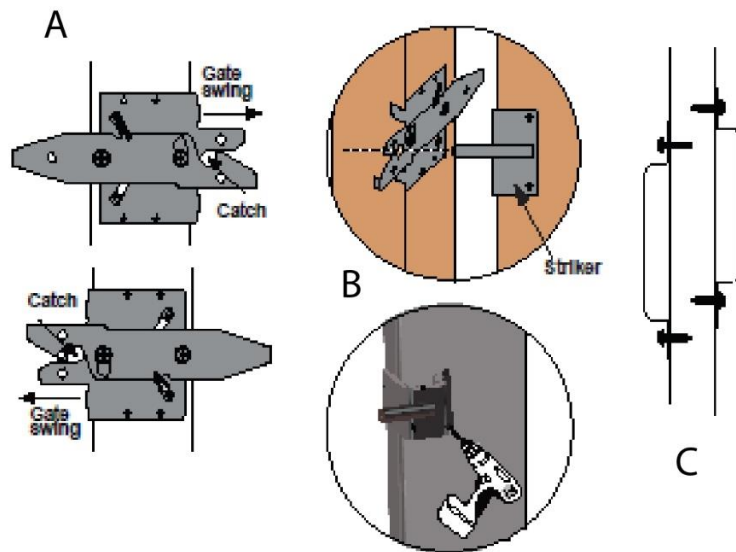
- A. Using a 3/8" nut driver, attach the hinges to the gate panel approximately 6" from the top and bottom of the gate with the supplied 1 1/2" self-drilling screws. Pre-drilling with a 3/16" drill bit will make installation easier.
- B. Place the gate panels in the opening. Adjust the gates so the top rail lines up with the top rail of the fence.
- C. Using the supplied 1 1/2" self-drilling screws, attach the outside corner of each hinge to the gate post containing the steel stiffener. Pre-drilling with a 3/16" drill bit will make the installation easier.
- D. Open the gate panel and attach the inside corner of the hinge bracket to the hinge post.



(Single Gate) Step 3: Attach Latch and Handles

A. Attach the latch to the latch post approximately 36" from the ground (or to desired height) using the supplied 1 1/2" self-drilling screws. The latch should be oriented so the catch is on the gate-swing side of the post. The catch will face up or down depending on the direction of the gate swing.

B. Using the supplied 1 1/2" self-drilling screws, attach the striker to the gate panel, lining the striker rod up with the catch on the post latch.



C. Attach the gate handles to the gate panel upright, using the supplied 1" self-drilling screws. Handles should be attached 1 3/4" in from the edge of the gate panel. The handle height must be staggered to avoid screws hitting each other.

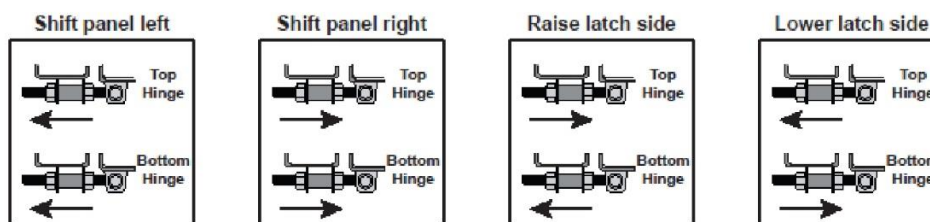
(Single Gate) Step 4: Make any Final Adjustments

A. To adjust a sagging gate, or to shift the panel in the opening, loosen the hinge nuts with an 11/16" wrench.

B. Loosen or tighten the nuts in the direction shown below. Lift or push the panel to slide the hinge.

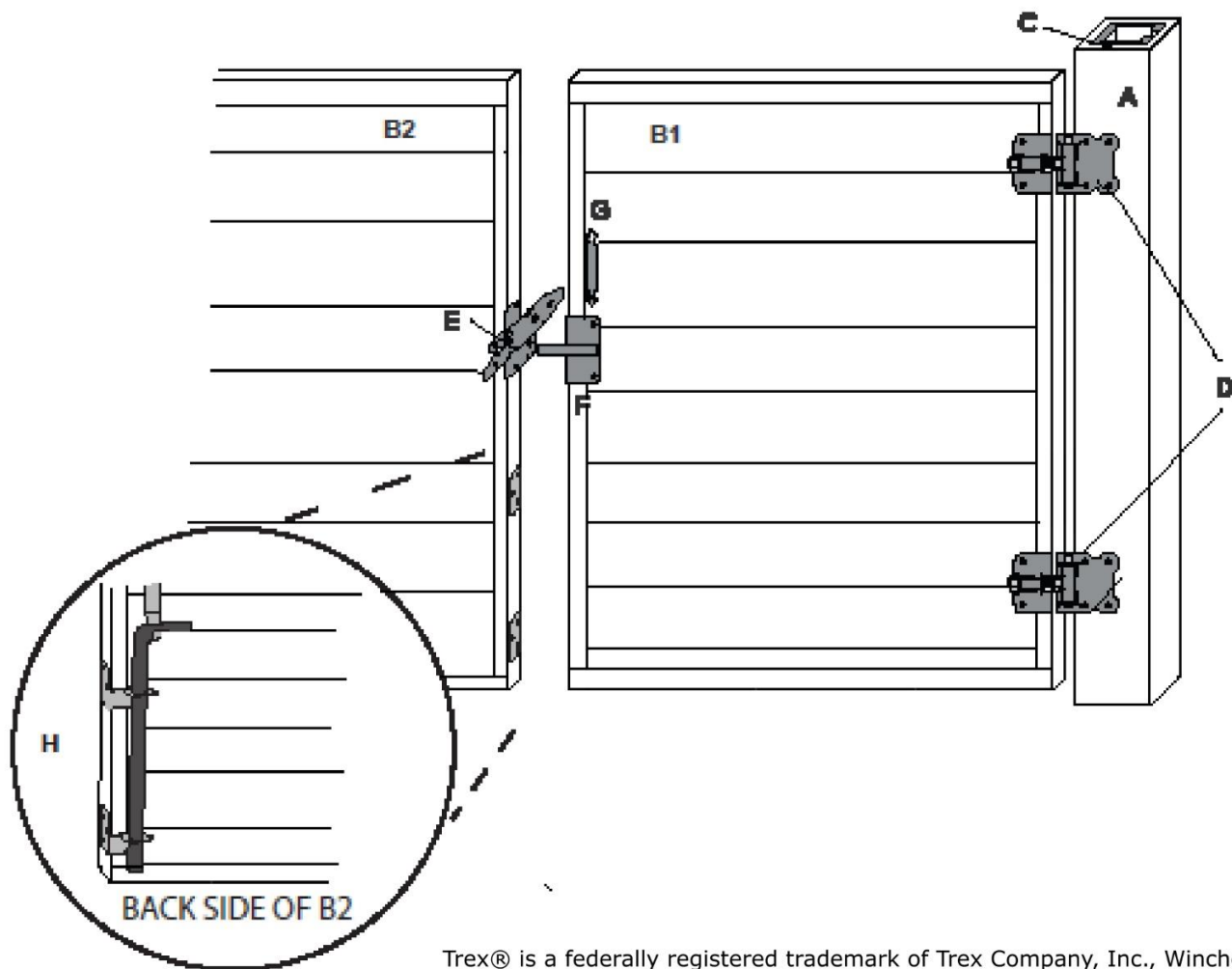
C. Retighten the hinge nuts.

Note: Due to weather and temperature changes, periodic hinge adjustment may be necessary to ensure proper latch connection.



Install Double Gate

- A. (2) Trex[®] Fence Post
- B. (2) Horizons[™] Gate Panels
- C. (2) FDS Steel Post Stiffeners
- D. (4) FDS Gate Hinge
- E. (1) Horizons[™] Gate Latch
- F. (1) Horizons[™] Gate Striker
- G. (2) FDS Gate Handles
- H. (1) FDS Drop Rod



Trex[®] is a federally registered trademark of Trex Company, Inc., Winchester, Virginia. Horizons[™] Horizontal Fence System is a trademark of FDS Distributors. Patent Pending.

Installation Guide:

Trex[®] w/ Horizons[™]

HORIZONTAL FENCE SYSTEM

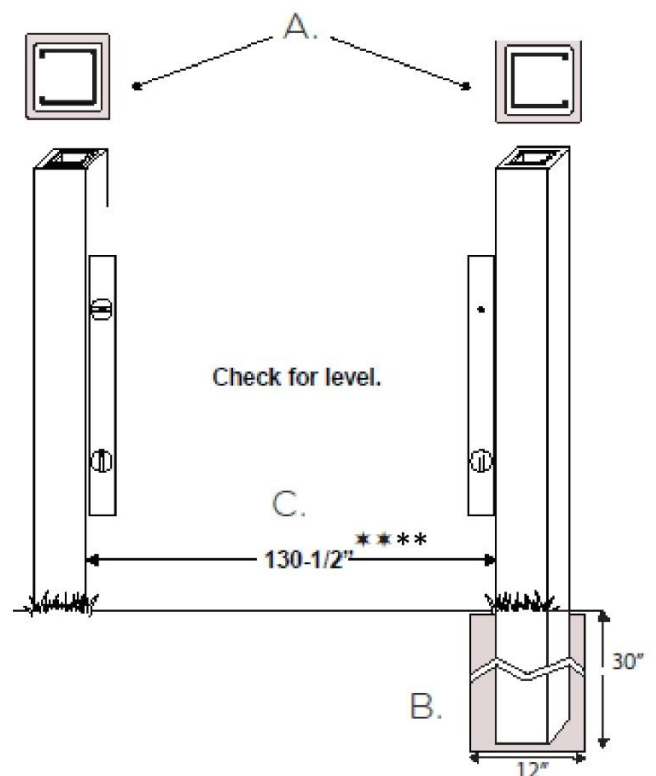
(Double Gate) Step 1: Set the Gate Posts

- Slide the Steel Post Stiffeners* into the posts. The open side of the steel stiffener should be placed so it faces away from the gate opening.
- Set posts into post holes**. The holes should be 30" deep by 12" wide***. Plumb and level posts so they are parallel with each other and fill hole with concrete mix .
- The opening (measuring from the inside face of one post to inside face of the other post) for 2 standard size Trex Horizons Gate panels should be 91 1/2" wide. (****The opening for a double gate using Large Trex Gate panels is 130 1/2" wide) Custom heights and widths are possible.

*Note: If the Hinge Post is not connected to a fence panel or if a large gate panel is used it may be necessary to use a Heavy Duty Steel Post Stiffener

** Note: Due to concrete cure times, set the gate posts 2-3 days before gate is installed.

***Note: Consult local conditions and codes for actual depth.



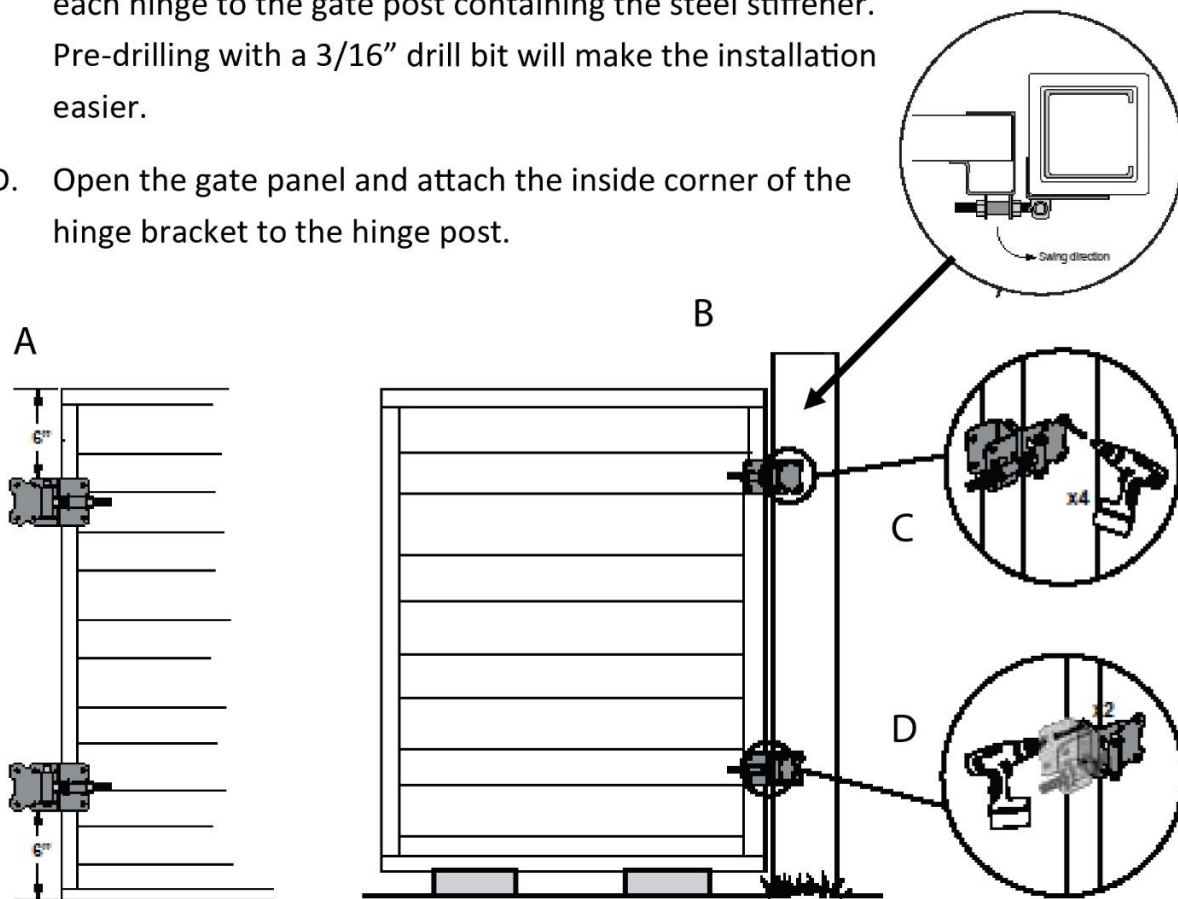
Installation Guide:

Trex[®] w/ Horizons[™]

HORIZONTAL FENCE SYSTEM

(Double Gate) Step 2: Install the Gate Panel

- Using a 3/8" nut driver, attach the hinges to the gate panel approximately 6" from the top and bottom of the gate with the (4) supplied 1 1/2" self-tapping screws. Pre-drilling with a 3/16" drill bit will make installation easier.
- Place the gate panels in the opening. Adjust the gates so the top rails line up with each other and with the top rail of the fence.
- Using the supplied 1 1/2" self-drilling screws, attach the outside corner of each hinge to the gate post containing the steel stiffener. Pre-drilling with a 3/16" drill bit will make the installation easier.
- Open the gate panel and attach the inside corner of the hinge bracket to the hinge post.



Installation Guide:

Trex[®] w/ Horizons[™]

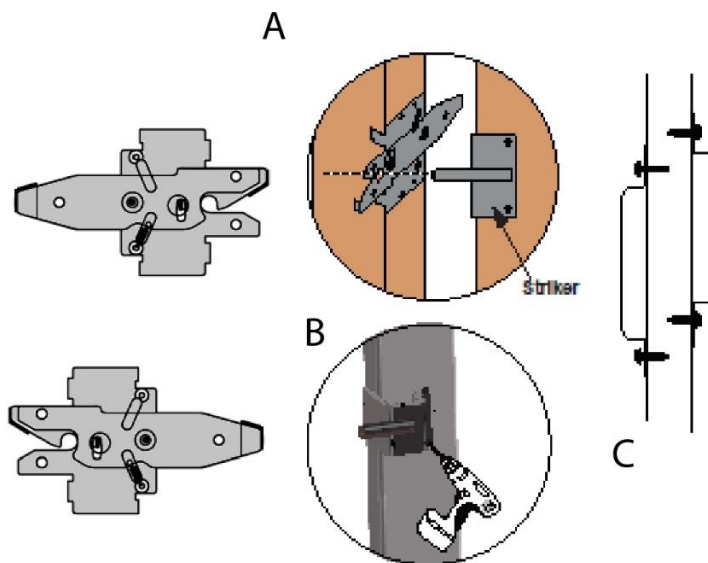
HORIZONTAL FENCE SYSTEM

(Double Gate) Step 3: Attach Latch and Handles

- A. Attach the latch to the non-active panel (the panel which will be stationary when only one panel is in use) approximately 36" from the ground (or to desired height) using the supplied 1 1/2" self-drilling screws. The latch should be oriented so the catch is on the gate-swing side of the post. The catch will face up or down depending on the direction of the gate swing.

- B. Using the supplied 1 1/2" self-drilling screws, attach the striker to the gate panel, lining the striker rod up with the catch on the post latch.

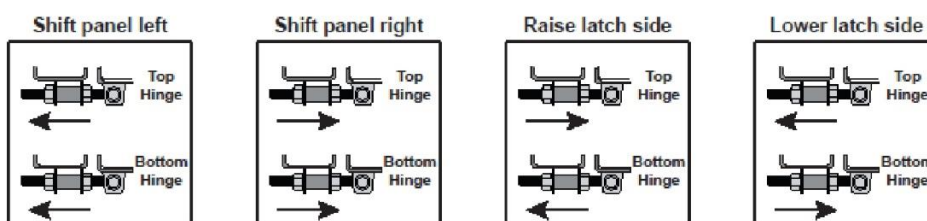
- C. Attach the gate handles to the gate panel upright, using the supplied 1" self-drilling screws. Handles should be attached 1 3/4" in from the edge of the gate panel. The handle height must be staggered to avoid hitting each other.



(Double Gate) Step 4: Make any Final Adjustments

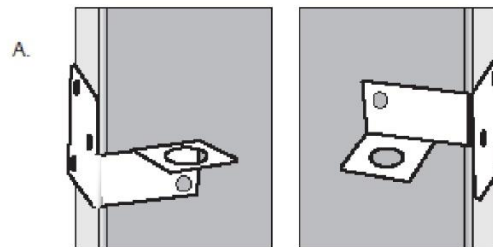
- A. To adjust a sagging gate, or to shift the panel in the opening, loosen the hinges nut with an 11/16" wrench.
- B. Loosen or tighten the nuts in the direction shown below. Lift or push the panel to slide the hinge.
- C. Retighten the hinge nuts.

Note: Due to weather and temperature changes, periodic hinge adjustment may be necessary to ensure proper latch connection.

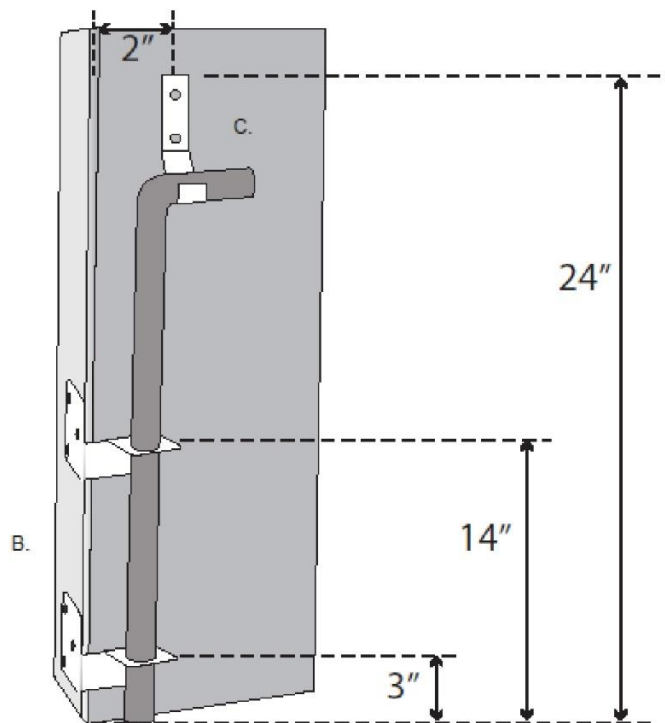


(Double Gate) Step 5: Mount the Drop Rod

- A. Attach the drop rod brackets to the back side of the non-active gate panel. Reverse the drop rod brackets depending on which side of the gate the drop rod is to be mounted. Reverse the drop rod brackets depending on which side of the gate the drop rod is to be mounted.
- B. Measuring from the horizontal tab, attach the lower bracket 3" from the bottom of the gate panel using (3) 2" self-drilling screws on the inside edge of the gate panel upright and (1) 1" self-drilling screw on the face of the gate panel. Repeat this process for the upper bracket, attaching it 14" from the bottom of the panel.



- C. Attach the drop rod hanger 24" from the bottom of the gate panel and 2" to the center of the screw holes from the edge of the gate panel.



- D. Mark the location on the ground where the drop hits. If the gate is over a concrete pad, drill an 8" deep hole using a 3/4" masonry bit for the drop rod to slide into when the gate is closed. For gates over soil, dig a hole 8" wide x 18" deep below the rod, fill it with concrete, and insert an 8" long 3/4" pvc pipe in the concrete for the drop rod to slide into after the concrete has cured.

Installation Guide:

Trex[®] w/ Horizons[™]

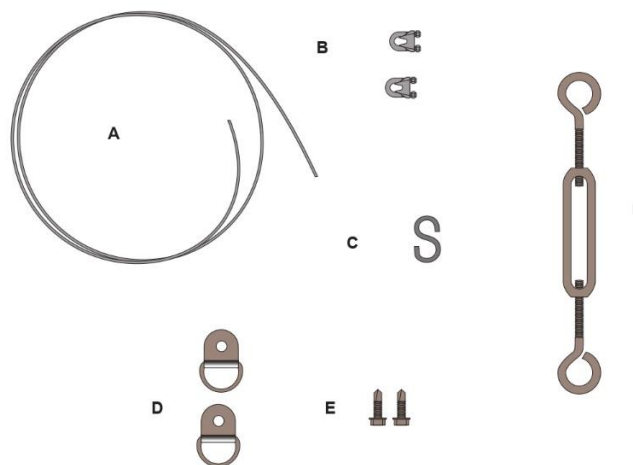
HORIZONTAL FENCE SYSTEM

OPTIONAL ANTI-SAG CABLE KIT

For large gate panels, it may be necessary to use an anti-sag cable to eliminate the sag of a gate panel. Anti-sag cable kits can be purchased through your local Trex Distributor.

ANTI-SAG CABLE KIT COMPONENTS

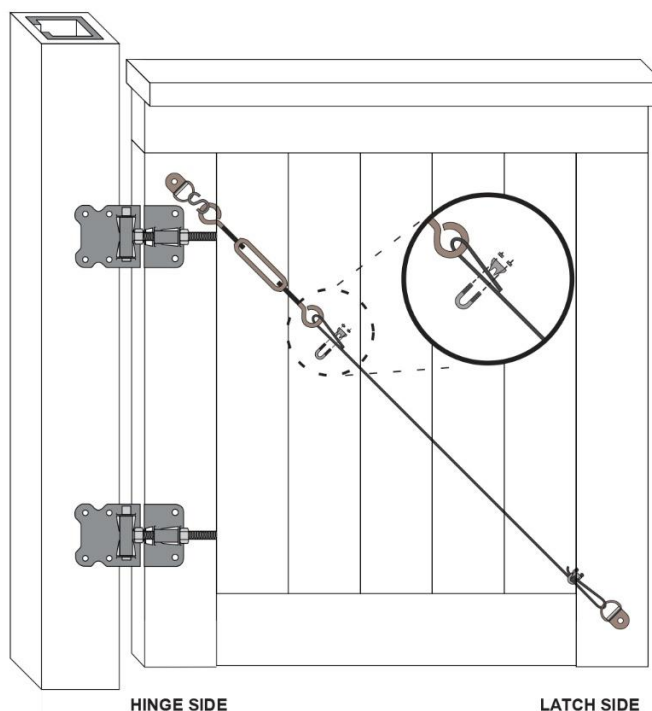
- A Black vinyl wrapped steel cable
- B Cable clamp (2)
- C 'S' hook
- D 'D' rings (2)
- E 1" Self-drilling screws (2)
- F Turnbuckle



ATTACHING THE CABLE KIT

Note: To make installation easier, prop the gate to the desired level using a block of wood under the latch side edge of the gate panel.

- A. Attach upper 'D' ring to the "hinge side" of the panel, 5-1/2" down from top of gate and 1-3/4" from the edge of gate (to hit the inner steel frame), using (1) self-drilling screw.
- B. Attach lower 'D' ring to the "latch side" of the panel, 2" up from bottom of gate and 1-3/4" from the edge of gate, using (1) self-drilling screw.
- C. Lengthen the turnbuckle as long as possible before proceeding by twisting the center ring. Attach the turnbuckle to the upper "D" ring using the "S" hook.
- D. Loop one end of the cable through the lower eye bolt of the turnbuckle. Attach a cable clamp and tighten nuts as tight as possible.
- E. Loop the other end of the cable through the lower "D" ring and attach the other cable clamp. Pull the cable as tight as possible before tightening the nuts.
- F. Remove any slack by tightening the turnbuckle, twisting the center ring of the turnbuckle.



Installation Guide:

Trex[®] w/ Horizons[™]

HORIZONTAL FENCE SYSTEM

Care & Maintenance

General Cleaning	Clean fence to remove dirt and debris. Soap, hot water and a soft brush are generally all that are needed.
Chalk Markings	Most colored chalk lines are permanent. As an alternative to regular chalk, use either baby powder or Irwin Straight-Line Dust-off marking chalk available at www.irwin.com
Water Spots, Leaf Staining and Wood Tannins	Tannin leaching occurs naturally in Trex [®] and all wood based products. Allow at least 12 weeks of normal weathering for the staining to become less visible. This process may be hastened through the use of a product containing oxalic or phosphoric acid.*
Scuffs & Abrasions	Scuffs and abrasions can fade or disappear naturally after 12-16 weeks of weathering. If a reduction in the visibility of a scuff or abrasion is desired before the fence weathers, WD-40 can be applied as a temporary solution. Apply a small amount of WD-40 to a rag and lightly rub it into the affected area. Weathering can be accelerated with a product containing oxalic or phosphoric acid, such as deck brightener.
Rust Stains, Ground-in Dirt and Grim and Pigment Staining	Use a cleaning product containing oxalic or phosphoric acid, such as a Deck Brightener from Olympic.com , to lighten or remove rust or dirt. The product may need to sit on a stain 10-15 minutes before rinsing.*
Oil & grease stains	Rinse the stain with hot water as soon as possible. Use a product such as Pour-N-Restore (www.pour-n-restore.com) as directed for any remaining staining (test in a small area first as the product may remove some of the colorant from the fencing surface).
Mold & Mildew	If your area is prone to mold and mildew growth, semi-annual cleaning (typically Spring and Fall) of your fence is important to prevent the build-up of pollen and other debris that can support the growth. Use conventional fence washes and cleaners that contain sodium hypochlorite (bleach) and detergent (refer to the Trex Mold Technical Bulletin for specific recommendations.*
Pressure Washer	Trex does not recommend the use of a pressure washer. The use of a pressure washer on the fence surface could damage the fencing and will void the warranty with respect to any condition caused by the pressure washing.
Sanding	Trex Company does not recommend sanding. Sanding will change the appearance of the surface of the Trex material and will void the warranty .
Disposal	Trex products should be disposed with normal construction debris or house hold waste. Do not burn Trex products.

* Use of products containing bleach or oxalic/phosphoric acid will lighten the surface of Trex[®]. Use in an inconspicuous area to determine if you achieve the intended results. Neither product will affect the structural integrity of the Trex composite material.

Trex[®] is a federally registered trademark of Trex Company, Inc., Winchester, Virginia.
Horizons[™] Horizontal Fence System is a trademark of FDS Distributors. Patent Pending.

Contact Us



(801) 852-8542

alliancefencesupply.com/trex-fencing