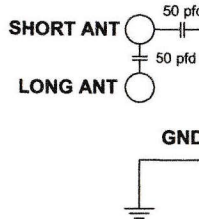
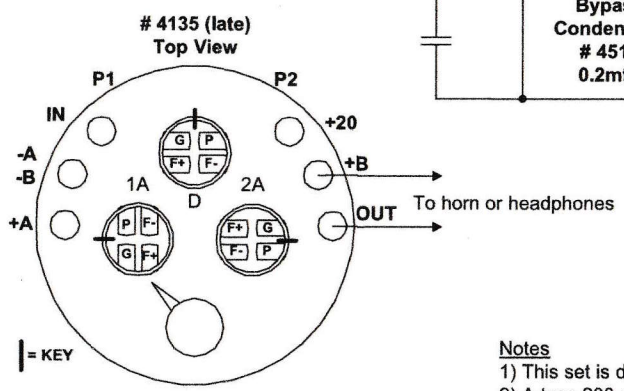
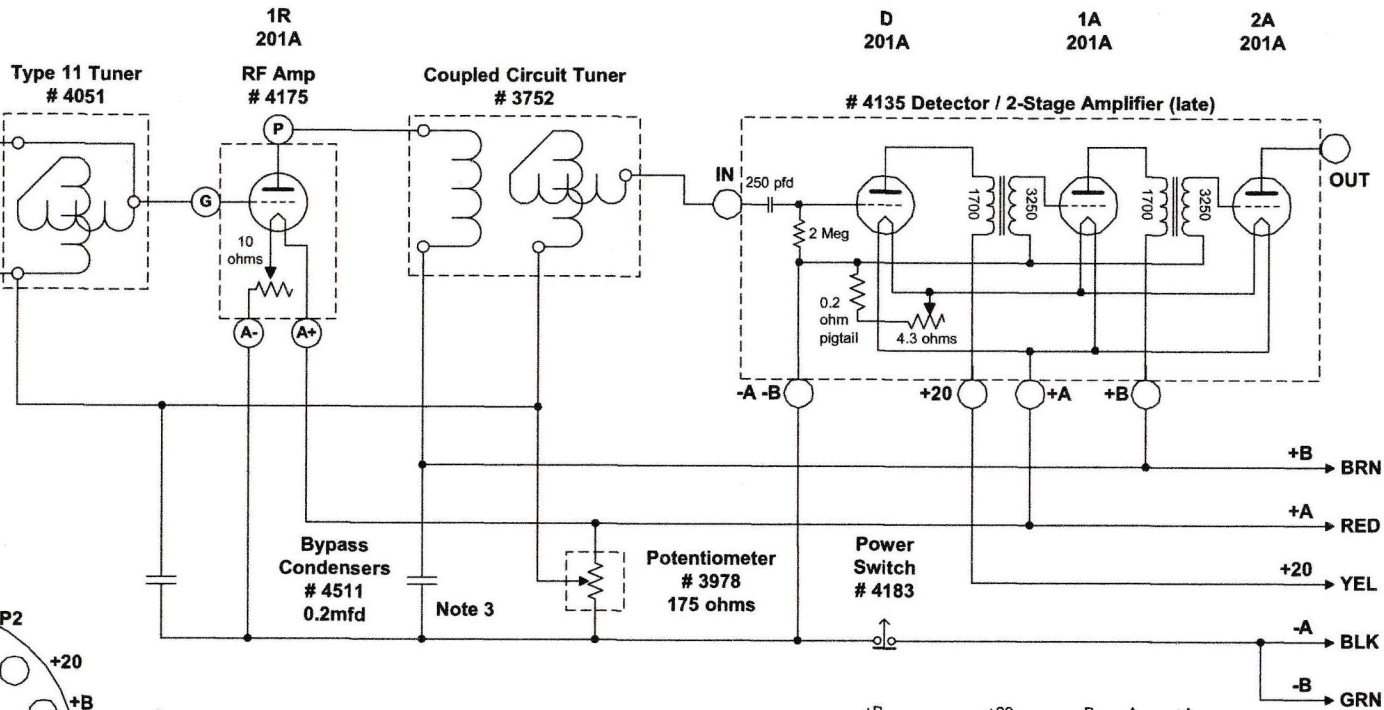


The antenna connects to one of two terminals mounted on the board, labeled as shown.



The ground connection goes directly to the inboard terminal on the Type 11 Tuner.



Notes

- 1) This set is designed to use the type 201A tubes with 5-volt 1/4-amp filaments.
- 2) A type 200 detector with 1-amp filament could be used if desired.
- 3) The bypass capacitor from B+ to ground has not been found in any green 4445A. It has been found in black and brown units.

PRELIMINARY
This information is based on review of actual sets.
However, it is subject to revision at any time.

O	27 Nov 2013	Original
REV	DATE	DESCRIPTION
REVISIONS		

Additional info can be found in the articles at <http://www.atwaterkent.info/akArticles.html>

W3NLB		(c) 2004 - 2013 W3NLB All Rights Reserved	
Atwater Kent 4445A Model 9A			
Schematic and Wiring Diagram			
Drawn by:	FSCM NO:	DWG NO:	REV
Date:	SCALE:	SHEET	1 OF 1