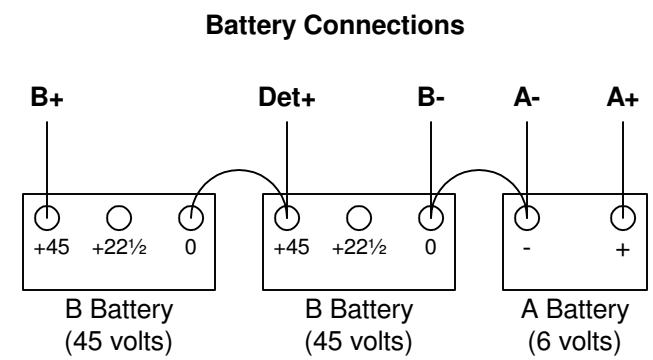


VERY IMPORTANT NOTE:
DO NOT connect earth ground to any of the battery terminals. Doing so will damage the potentiometer. Connect ground only as shown.

- Notes:**
- 1) A 200A may be used for the Detector (D).
 - 2) This radio uses 200A & 201A tubes with 5 volt 1/4 amp filaments. Non-suffix 201 tubes cannot be used.
 - 3) The Models 10A and 10B differ only in the antenna input circuit and ground connections, as shown. The WHITE ground wire is used only on the 10A, but some 10A sets were factory-modified to use a binding post and eliminate the WHITE wire.
 - 4) If the set has no GREEN wire, the A- and B- terminals should be connected together at the batteries as shown.
 - 5) Audio transformer winding resistances are 1700 ohms primary and 3250 ohms secondary.
 - 6) RF grid resistors are inside the tuning condensers cans. The nominal value is not available, but is believed to be as shown.



This schematic is based on a preliminary drawing by László Szabó and analysis of several other sets.

PRELIMINARY
 The information presented is believed to be correct. However, it is subject to revision at any time.

REV	DATE	DESCRIPTION
D	25 Aug 2007	Added missing RF grid resistors
C	01 May 2007	Added missing bypass condenser
REVISIONS		

This schematic is 11" x 17".

This schematic covers models: 10A 4550 10A 4560		W3NLB		(c) 2005-2007 W3NLB All Rights Reserved	
Atwater Kent Model 10A 4550 & 4560 Schematic and Wiring Diagram					
Drawn by: Leigh Bassett W3NLB	FSCM NO	DWG NO AK04550SCH	REV D		
Date: 25 Aug 2007	SCALE	SHEET		1 OF 1	