

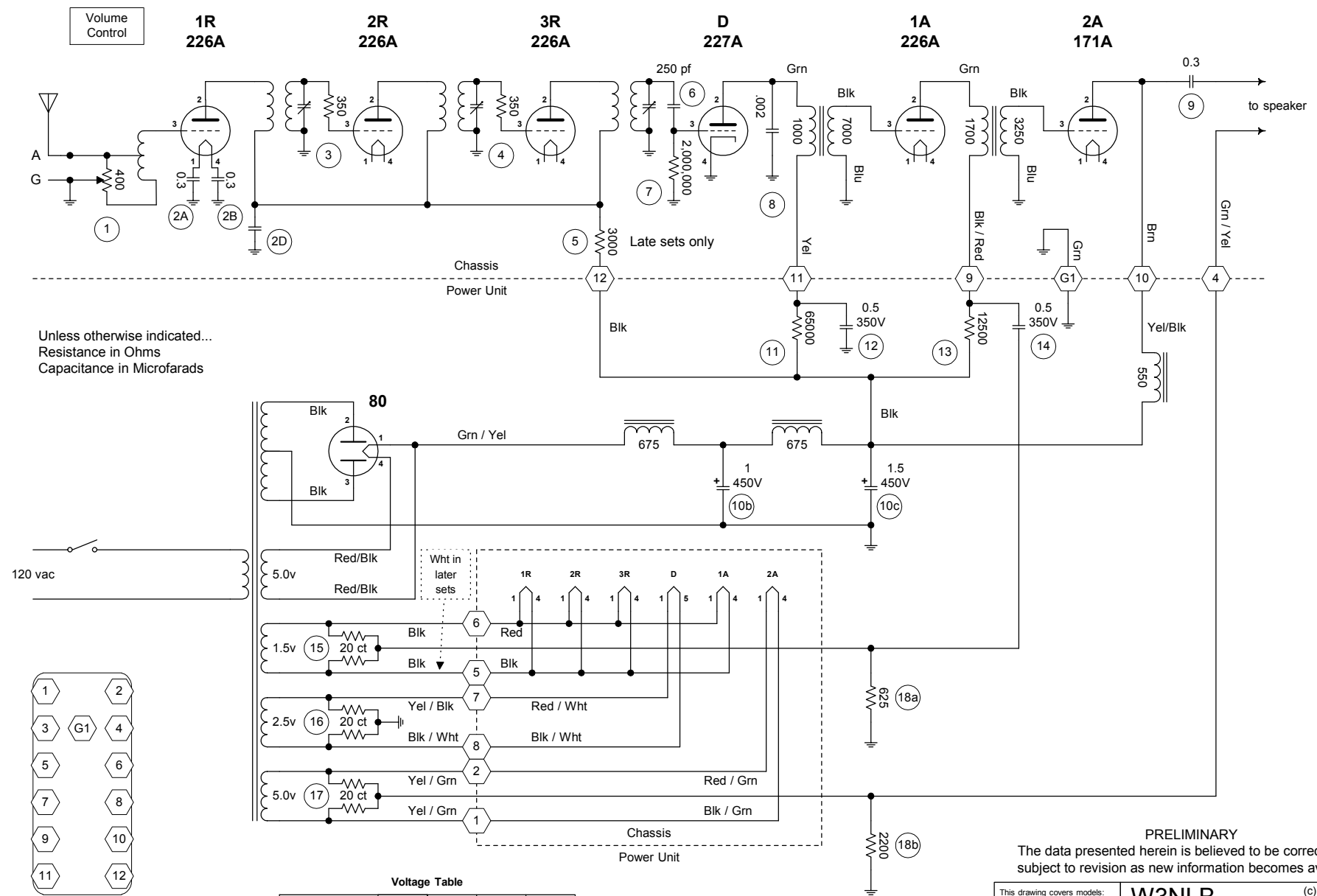
REF	PART NO.	VALUE	DESCRIPTION
1	13604	400	Volume control
2A	15158	0.3 / 200v	RF filament bypass
2B	15158	0.3 / 200v	RF filament bypass
2C	15158	0.2 / 400v	(this section not used)
2D	15158	0.05 / 400v	RF B+ bypass
3	8439	350	No. 1 grid resistor
4	8439	350	No. 2 grid resistor
5	13369	3000	RF plate circuit resistor (late only)
6	8112	250 pfd / 500v	Det. grid condenser
7	15892	2 Meg	Det. grid leak
8	9598	0.002 / 500v	Phone condenser
9	14902	0.3 / 450v	Speaker filter condenser

The following components are located in the Power Unit

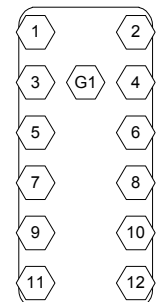
10a	17159 (C-6)	1.0 / 450v ¹	Filter condenser #1
10b	17159 (C-6)	1.0 / 450v ¹	Filter condenser #2
10c	17159 (C-6)	1.5 / 450v ¹	Filter condenser #3
11	15592	65,000	Detector plate resistor
12	?	0.5 / 350v	Detector filter condenser
13	15941	12,500	1st AF plate resistor
14	?	0.5 / 350v	1st AF bypass condenser
15	9434	20 ct	RF-1st AF filament shunt resistor
16	9434	20 ct	Detector filament shunt resistor
17	9434	20 ct	2nd AF filament shunt resistor
18	13538	625 & 2200	RF-1st AF bias & 2nd AF bias

Notes
1 - Voltage rating from non-AK sources. AK factory information not available.

REV	DATE	DESCRIPTION
REVISIONS		



Unless otherwise indicated...
Resistance in Ohms
Capacitance in Microfarads



Cable End
PU Connector
Top View

Voltage Table

Element	Tube	1-3R	D	1A	2A
Plate		170±10	45	155	180
Grid		-13		-13	-45

All voltages measured from tube -F with volume at maximum. Taken with 1000 ohm-per-volt meter at 120 volt line. Reduce by 9% for 110 volt line.

NOTE
This schematic is 11 x 19 inches. The 300 dpi GIF should print legibly on 8½ x 11 or 8½ x 14 paper.

PRELIMINARY
The data presented herein is believed to be correct, but is subject to revision as new information becomes available.

This drawing covers models: 9500 37 9700 37C 9740 37F 9770 37 "Modernistic" 9830 37FC		W3NLB (c) 2005 W3NLB All Rights Reserved	
Atwater Kent Model 37 (all versions)			
Schematic Diagram			
Drawn by: Leigh Bassett W3NLB	Size: B	FSCM NO:	DWG NO: AK09500SCH
Date: 24 Jan 2005	SCALE:	SHEET:	1 OF 1