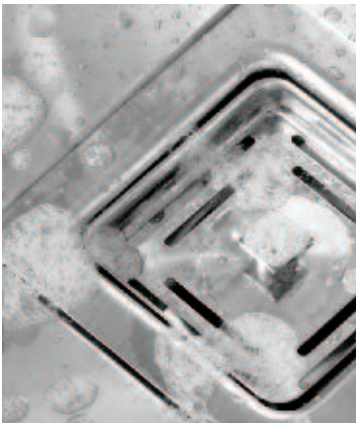




Sink and Tap Collection



A RANGE OF SINKS AND TAPS TO SUIT ALL KITCHENS



INTRODUCING THE SINK AND TAP COLLECTION

COMBINING STYLISH GOOD LOOKS WITH FUNCTIONALITY, THE SINK AND TAP COLLECTION OFFERS A RANGE OF OPTIONS TO SUIT ALL KITCHENS. COVERING EVERYTHING FROM CLASSIC INSET CERAMIC SINKS TO SLEEK, MODERN STYLES OF STAINLESS STEEL UNDERMOUNTS, EACH SINK IS UNIQUE.

Were once a lifeline, a direct source of water for cooking, drinking and washing. With the collection, you can bring water into your home with a sink inspired by rivers. Each sink is named after a major river which we feel suits the character of each design; whether it's the dramatic look of the black glass topped

Dane, or the classic, no-nonsense Wye. All of our sinks are manufactured to the highest standards to ensure durability and long-life. Our stainless steel range carries a lifetime warranty, granite composite a 20 year warranty and ceramic a five year warranty against material or manufacturing defects (domestic use only).



STAINLESS STEEL INSET SINKS

The range offers classic designs through to sleek, modern styles that suit all budgets and kitchens.

SEE PAGES 4-11



MIXER TAPS

Our selection of taps complete the collection with modern designs and a high quality finish to complement our sinks.

SEE PAGES 20-21



GRANITE COMPOSITE SINKS

Natural textures, clean designs and a variety of colours, combine to create a striking feature in any contemporary kitchen.

SEE PAGES 16-17



UNDERMOUNT SINKS

Modern, versatile designs and a minimalist appearance combine with functional practicality to fit perfectly into the kitchen environment.

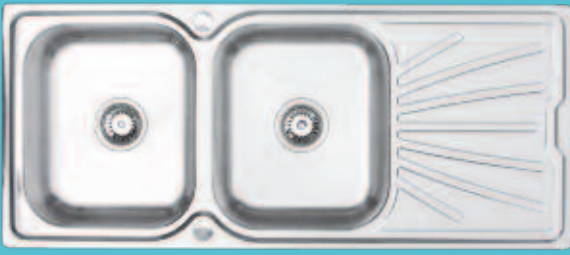
SEE PAGE 12-15



CERAMIC SINKS

Our ceramic sinks are individually handcrafted and offer a range that is at home in either a traditional or contemporary styled kitchen.

SEE PAGES 18-19



The Sink and Tap Collection

STAINLESS STEEL INSET SINKS



All our collection stainless steel sinks are manufactured from ss304 grade stainless steel to ensure durability and long-life, and to complement common appliance finishes. Our newly expanded range includes options from classic designs to sleek, modern styles to suit all budgets and kitchens. This range includes perfect options for the budget minded customer with classic sinks like Ribble or Wye, right through to minimalist designs like Sleat, or dramatic black glass topped sinks like Fender.



BLACK GLASS TOPPED STAINLESS STEEL INSET SINKS

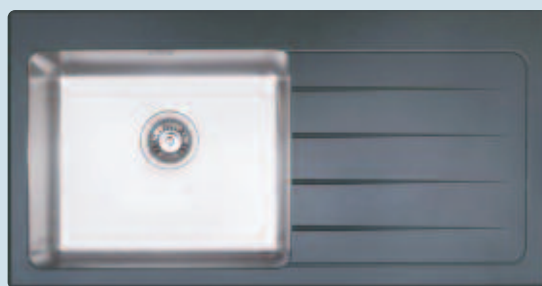


FENDER 1.0 BOWL

Single drainer
black glass topped
stainless steel sink

Shown with the 'Maronne'
twin lever mixer tap

Stainless steel sinks carry a lifetime warranty against material and manufacturing defects (domestic use only) and when properly maintained, will look good for years.



BLACK GLASS

FENDER

1.0 BOWL

- Black glass topped stainless steel inset sink
- Toughened safety glass
- Left or right handed options available
- Fits into minimum 600mm base unit

SUPPLIED WITH WASTE
AND OVERFLOW FITTINGS



BLACK GLASS

DANE

1.5 BOWL

- Black glass topped stainless steel inset sink
- Toughened safety glass
- Left or right handed options available
- Fits into minimum 600mm base unit

SUPPLIED WITH WASTE
AND OVERFLOW FITTINGS

OOCK

1.0 BOWL

- Minimalistic stainless steel inset sink
- Low profile (near flush to worktop)
- Left or right handed options available
- Fits into minimum 600mm base unit

SUPPLIED WITH WASTE
AND OVERFLOW FITTINGS



SLEA

1.5 BOWL

- Minimalistic stainless steel inset sink
- Low profile (near flush to worktop)
- Left or right handed options available
- Fits into minimum 600mm base unit

SUPPLIED WITH WASTE
AND OVERFLOW FITTINGS



High antibacterial
properties in these slick
minimalistic sinks due to
being manufactured from
a single sheet of steel.

SLEA 1.5 BOWL

Single drainer
minimalistic
stainless steel sink

Shown with the 'Rhone'
twin lever mixer tap





**TAMAR
1.0 BOWL**

Single drainer brushed stainless steel sink

Shown with the 'Vechte' single lever mixer tap

For a full range of
**MIXER
TAPS**
see pages 20-21



TAMAR
1.0 BOWL

- Brushed stainless steel inset sink
- Stylish radius internal bowl
- Large deep bowl
- Left or right handed options available
- Fits into minimum 600mm base unit

**SUPPLIED WITH WASTE
AND OVERFLOW FITTINGS**



CLYDE
1.5 BOWL

- Brushed stainless steel inset sink
- Stylish radius internal bowl
- Large deep bowl
- Left or right handed options available
- Fits into minimum 600mm base unit

**SUPPLIED WITH WASTE
AND OVERFLOW FITTINGS**



EDEN 1.0 BOWL

Single drainer
stainless steel sink

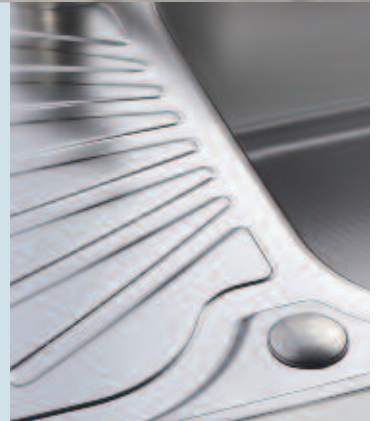
Shown with the 'Lena'
single lever mixer tap

EDEN

1.0 BOWL

- Brushed stainless steel inset sink
- Large deep bowl
- Reversible
- Fits into minimum 600mm base unit

**SUPPLIED WITH WASTE
AND OVERFLOW FITTINGS**



MEDWAY

1.5 BOWL

- Brushed stainless steel inset sink
- Large deep main bowl
- Reversible
- Fits into minimum 600mm base unit

**SUPPLIED WITH WASTE
AND OVERFLOW FITTINGS**



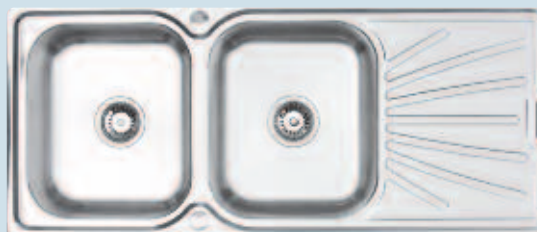
Large deep bowl 'designer'
sinks that perfectly combine
functionality and style.

YARROW

2.0 BOWL

- Brushed stainless steel inset sink
- Large deep double bowl
- Reversible
- Fits into minimum 800mm base unit

**SUPPLIED WITH WASTE
AND OVERFLOW FITTINGS**



The round drainer and bowl offer a ideal space saving alternative when worktop space is limited.



AVON ROUND DRAINER

- Brushed stainless steel inset drainer
- 50mm single drainer depth
- Fits into minimum 500mm base unit

SUPPLIED WITH WASTE
AND OVERFLOW FITTINGS



NENE ROUND BOWL

- Brushed stainless steel inset bowl
- Deep round single bowl
- Fits into minimum 500mm base unit

SUPPLIED WITH WASTE
AND OVERFLOW FITTINGS



NENE BOWL AND AVON DRAINER

Single bowl & drainer
stainless steel sinks

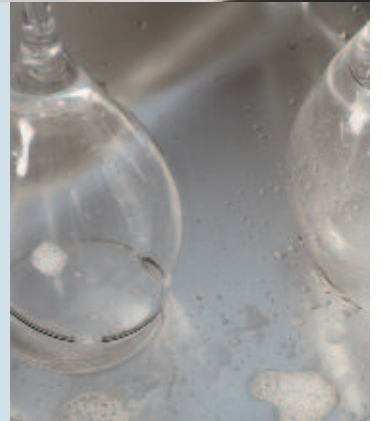


STOUR

1.0 BOWL

- Satin polish stainless steel inset sink
- Includes mixer tap
- Reversible
- Fits into minimum 450mm base unit

SUPPLIED WITH WASTE FITTINGS AND CHROME SINGLE LEVER MIXER TAP



HUMBER

1.0 BOWL

- Satin polish stainless steel inset sink
- Includes mixer tap
- Reversible
- Fits into minimum 500mm base unit

SUPPLIED WITH WASTE FITTINGS AND CHROME SINGLE LEVER MIXER TAP



For a full range of

MIXER TAPS

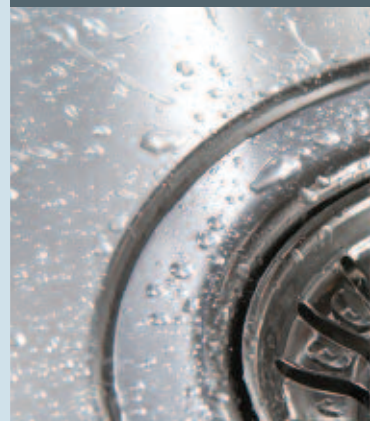
see pages 20-21

MERSEY

1.5 BOWL

- Satin polish stainless steel inset sink
- Includes mixer tap
- Reversible
- Fits into minimum 600mm base unit

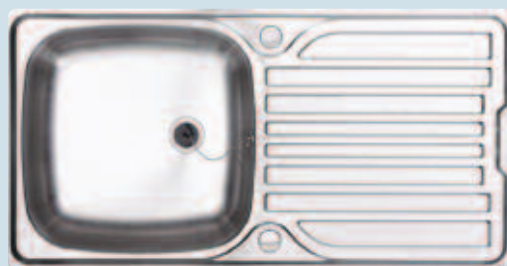
SUPPLIED WITH WASTE FITTINGS AND CHROME SINGLE LEVER MIXER TAP



RIBBLE 1.0 BOWL

Single drainer brushed
stainless steel sink

Shown with the 'Volga'
twin lever mixer tap

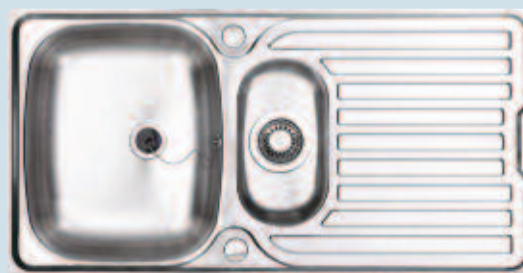


RIBBLE

1.0 BOWL

- Brushed stainless steel inset sink
- Large deep bowl
- Reversible
- Fits into minimum 500mm base unit

SUPPLIED WITH WASTE
AND OVERFLOW FITTINGS



WYE

1.5 BOWL

- Brushed stainless steel inset sink
- Large deep main bowl
- Reversible
- Fits into minimum 600mm base unit

SUPPLIED WITH WASTE
AND OVERFLOW FITTINGS

Combining high quality
stainless steel with
designer looks, the
Collection offers you a
stylish solution at an
affordable price.



The Sink and Tap Collection

UNDERMOUNT SINKS



Undermount sinks from the collection, made from ss304 grade stainless steel, provide modern, versatile design and a minimalist appearance. A bespoke look is combined with functional practicality. These sinks cover single and 1.5 bowl styles, allowing for this up-to-date aesthetic to fit perfectly into the kitchen, no matter how much washing up you create.

BRETT 1.5 BOWL

Stylish undermount
stainless steel sink

Shown with the 'Regen'
twin lever mixer tap



Stainless steel sinks carry a lifetime warranty against material and manufacturing defects (domestic use only) and when properly maintained, will look good for years.



ESK

0.5 BOWL UNDERMOUNT

- Stainless steel undermount sink
- Large deep bowl
- Fits into minimum 400mm base unit

SUPPLIED WITH WASTE
AND OVERFLOW FITTINGS



WEAVER

1.0 BOWL UNDERMOUNT

- Stainless steel undermount sink
- Compact single bowl
- Fits into minimum 400mm base unit

SUPPLIED WITH WASTE
AND OVERFLOW FITTINGS



TWISS

1.0 BOWL UNDERMOUNT

- Stainless steel undermount sink
- Large deep bowl
- Fits into minimum 600mm base unit

SUPPLIED WITH WASTE
AND OVERFLOW FITTINGS

COLNE

1.5 BOWL UNDERMOUNT

- Stainless steel undermount sink
- Large deep main bowl
- Left or right handed options available
- Fits into minimum 600mm base unit

SUPPLIED WITH WASTE
AND OVERFLOW FITTINGS



BRETT

1.5 BOWL UNDERMOUNT

- Stainless steel undermount sink
- Large deep main bowl
- Left or right handed options available
- Fits into minimum 600mm base unit

SUPPLIED WITH WASTE
AND OVERFLOW FITTINGS



The range of
undermount sinks give
your kitchen a stunning
and modern look.

COLNE 1.5 BOWL

Stylish undermount
stainless steel sink

Shown with the 'Rhone'
twin lever mixer tap





**TRENT
1.5 BOWL**

Undermount bowl
and half bowl
stainless steel sink

Shown with the 'Regen'
twin lever mixer tap

For a full range of

**MIXER
TAPS**

see pages 20-21



TRENT

1.5 BOWL UNDERMOUNT

- Stainless steel undermount sink
- Large deep main bowl
- Reversible
- Fits into minimum 600mm base unit

**SUPPLIED WITH WASTE
AND OVERFLOW FITTINGS**



DERWENT

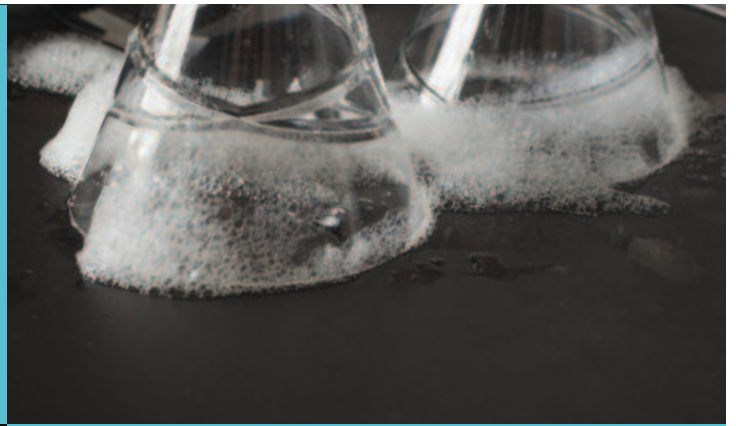
1.5 BOWL UNDERMOUNT

- Stainless steel undermount sink
- Large deep main bowl
- Left or right handed options available
- Fits into minimum 450mm base unit

**SUPPLIED WITH WASTE
AND OVERFLOW FITTINGS**

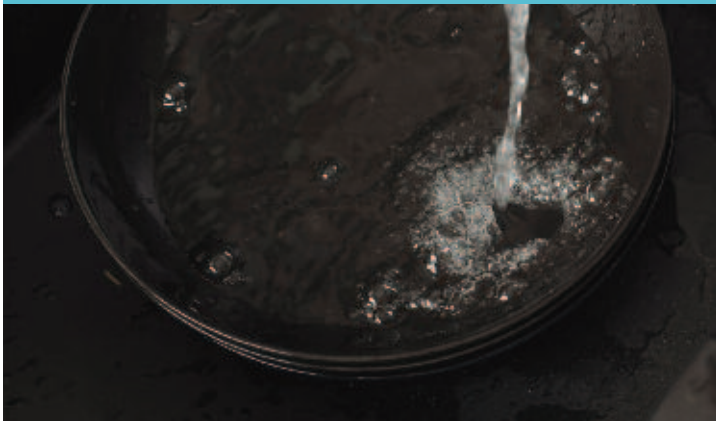
The collection granite composite sinks combine performance with good looks. Available in natural textures, clean designs and a variety of colours, these sinks create a striking feature in a contemporary kitchen.

Granite composite is sure to be a talking point in any kitchen whether you opt for the softer Opal White or Tweed or Welland, or the more dramatic sleek lines of Lymington or Wraysbury.



THE SINK AND TAP COLLECTION

GRANITE COMPOSITE SINKS



WELLAND 1.5 BOWL

Single drainer
Volcano Black granite
composite inset sink

TWEED

1.0 BOWL

- Available in Opal White, Volcano Black and Sahara Beige
- Reversible
- Fits into minimum 500mm base unit

SUPPLIED WITH
CHROME WASTE FITTINGS



OPAL WHITE

VOLCANO BLACK

SAHARA BEIGE

Granite composite sinks carry a 20 year warranty against material or manufacturing defects (domestic use only).



Granite composite sinks give kitchens that ultra modern look.



OPAL WHITE VOLCANO BLACK SAHARA BEIGE

WELLAND

1.5 BOWL

- Available in Opal White, Volcano Black and Sahara Beige
- Reversible
- Fits into minimum 600mm base unit

SUPPLIED WITH CHROME WASTE FITTINGS



VOLCANO BLACK

WINSTER

1.0 BOWL

- Available in Volcano Black only
- Reversible
- Fits into minimum 400mm base unit

SUPPLIED WITH CHROME WASTE FITTINGS



VOLCANO BLACK

LYMINGTON

1.0 BOWL

- Available in Volcano Black only
- Reversible
- Fits into minimum 600mm base unit

SUPPLIED WITH CHROME WASTE FITTINGS



VOLCANO BLACK

WRAYSBURY

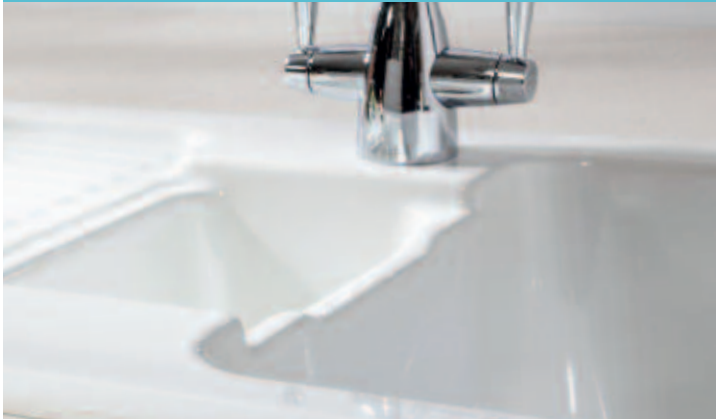
1.5 BOWL

- Available in Volcano Black only
- Reversible
- Fits into minimum 600mm base unit

SUPPLIED WITH CHROME WASTE FITTINGS

Our ceramic sinks are individually handcrafted and have a fireclay finish with a hardwearing, non-porous surface, providing excellent resistance to household chemicals and detergents.

The designs range from sinks to fit both traditional and contemporary styled kitchens, from the classic look of Liffey, to the retro-modern black of Dovey.



THE SINK AND TAP COLLECTION

CERAMIC SINKS



DOVEY 1.5 BOWL

Single drainer
Ceramic White sink

Supplied with the 'Elbe'
twin lever mixer tap

LAGAN

1.0 BOWL

- Available in Ceramic White
- Classic reproduction design
- Weir overflow
- Fits into minimum 600mm base unit

**SUPPLIED WITH
CHROME WASTE FITTINGS**

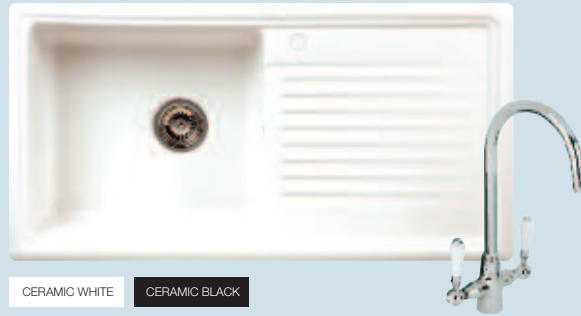


CERAMIC WHITE

Ceramic sinks carry a 5 year warranty against material or manufacturing defects (domestic use only).



For a full range of
**MIXER
 TAPS**
 see pages 20-21



CERAMIC WHITE CERAMIC BLACK

LIFFEY

1.0 BOWL

- Available in Ceramic White or Ceramic Black
- Reversible
- Fits into minimum 600mm base unit
- Includes mixer tap ('Elbe' tap with white sink and 'Brooklyn' tap with Black sink).

**SUPPLIED WITH
 CHROME WASTE FITTINGS**



CERAMIC WHITE CERAMIC BLACK

DOVEY

1.5 BOWL

- Available in Ceramic White or Ceramic Black
- Reversible
- Fits into minimum 600mm base unit
- Includes mixer tap ('Elbe' tap with white sink and 'Brooklyn' tap with Black sink).

**SUPPLIED WITH
 CHROME WASTE FITTINGS**



CERAMIC WHITE

NEWLYN

1.0 BOWL

- Available in Ceramic White
- Reversible
- Fits into minimum 600mm base unit
- Includes 'Genesis' mixer tap

**SUPPLIED WITH
 CHROME WASTE FITTINGS**



CERAMIC WHITE

LARIGAN

1.5 BOWL

- Available in Ceramic White
- Reversible
- Fits into minimum 600mm base unit
- Includes 'Genesis' mixer tap

**SUPPLIED WITH
 CHROME WASTE FITTINGS**



THE SINK AND TAP COLLECTION

MIXER TAPS



Our selection of taps complete the collection with modern designs and a high quality finish to complement our sinks. Our taps are tested to work with high and low pressure systems the manufacturer recommends a minimum of 0.5 bar. All are supplied with flexi-tails and are fitted with flow aerator.

Four new designs have been added to the range for 2016, offering more minimalistic design in the form of Vechte or Loire, and a more traditional look with Regen or Maronne.



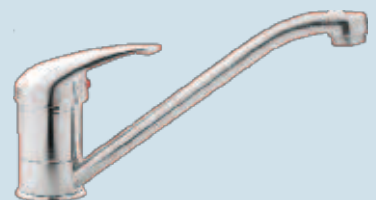
VECHTE
SINGLE LEVER MIXER TAP

- Chrome or Brushed Steel finish
- Height: 320mm
- Spout height: 275mm
- Reach: 230mm



LOIRE
SINGLE LEVER MIXER TAP

- Chrome finish
- Height: 375mm
- Spout height: 262mm
- Reach: 227mm



LENA
SINGLE LEVER MIXER TAP

- Chrome finish
- Height: 146mm
- Spout height: 130mm
- Reach: 265mm



HAVEL

TWIN LEVER MIXER TAP

- Chrome or Brushed Steel finish
- Height: 308mm
- Spout height: 279mm
- Reach: 210mm



RHÔNE

TWIN LEVER MIXER TAP

- Chrome finish
- Height: 350mm
- Spout height: 255mm
- Reach: 202mm



MARONNE

TWIN LEVER MIXER TAP

- Chrome or Brushed Steel finish
- Height: 388mm
- Spout height: 238mm
- Reach: 210mm



VOLGA

TWIN LEVER MIXER TAP

- Chrome finish
- Height: 92mm
- Spout height: 235mm
- Reach: 198mm

The right kitchen tap is often the difference between a good kitchen and a great kitchen.



REGA

TWIN LEVER MIXER TAP

- Chrome finish
- Height: 360mm
- Spout height: 222mm
- Reach: 210mm



MOSELLE

TWIN LEVER MIXER TAP

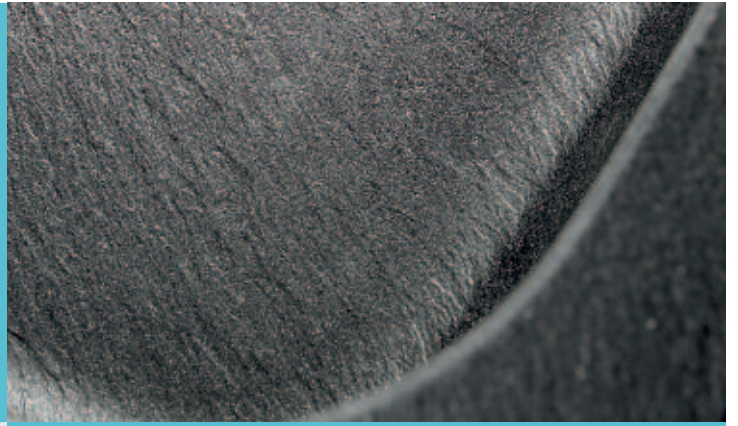
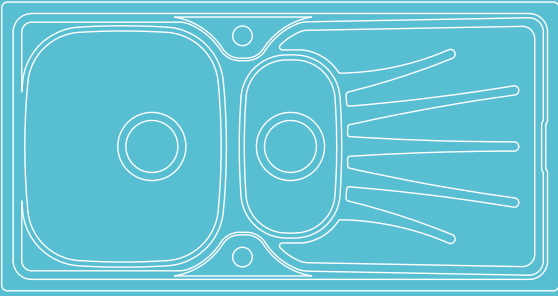
- Chrome finish
- Height: 346mm
- Spout height: 214mm
- Reach: 202mm



REGEN

TWIN LEVER MIXER TAP

- Chrome or Brushed Steel finish
- Height: 374mm
- Spout height: 246mm
- Reach: 225mm



The Sink and Tap Collection

SPECIFICATIONS

Technical drawings for all our sinks can be found here.
If you need any further information, our team are on hand to answer your queries.



SPECIFICATIONS – INSET SINKS

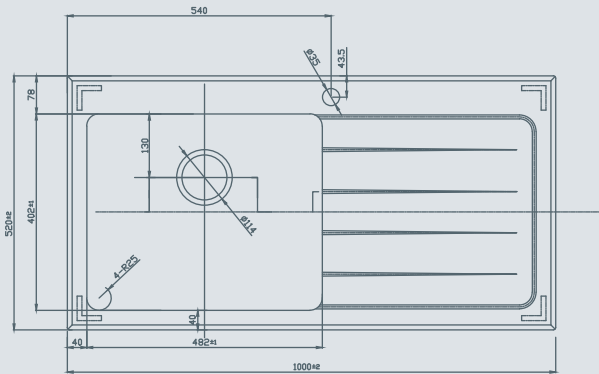
We reserve the right to update specifications without notice. All dimensions are nominal.

FENDER

1.0 BOWL

1000mm x 520mm overall
Single bowl, single drainer
inset sink

Min cabinet size: **600mm**
Bowl depth: **195mm**

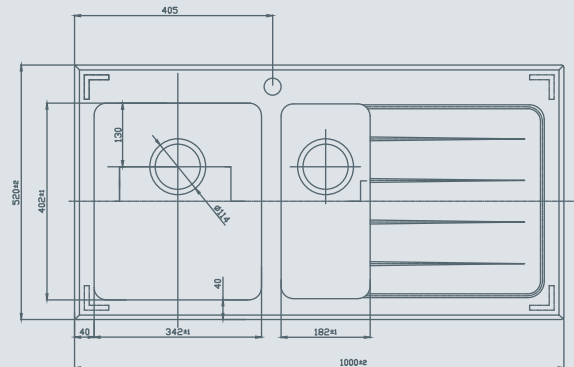


DANE

1.5 BOWL

1000mm x 520mm overall
Bowl and half, single drainer
inset sink

Min cabinet size: **600mm**
Bowl depth: **190mm**
Half bowl depth: **120mm**

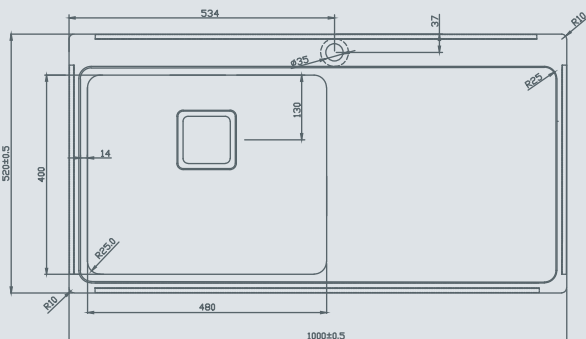


OCK

1.0 BOWL

1000mm x 520mm overall
Single bowl, single drainer
inset sink

Min cabinet size: **600mm**
Bowl depth: **195mm**

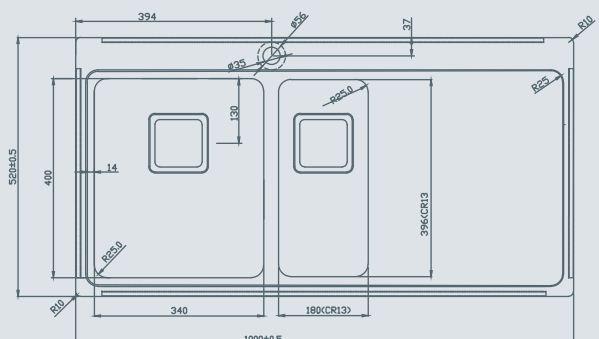


SLEA

1.5 BOWL

1000mm x 520mm overall
Bowl and half, single drainer
inset sink

Min cabinet size: **600mm**
Bowl depth: **185mm**
Half bowl depth: **116mm**



SLEA 1.5 BOWL

SPECIFICATIONS – INSET SINKS

We reserve the right to update specifications without notice. All dimensions are nominal.



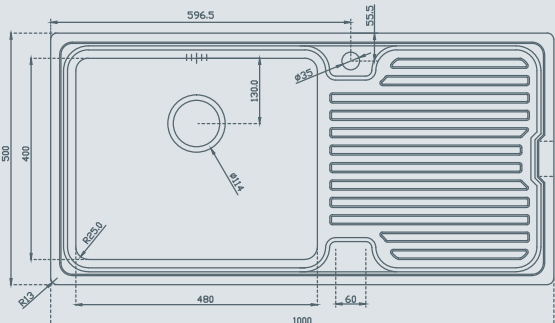
TAMAR 1.0 BOWL

TAMAR

1.0 BOWL

1000mm x 500mm overall
Single bowl, single drainer
inset sink

Min cabinet size: **600mm**
Bowl depth: **200mm**

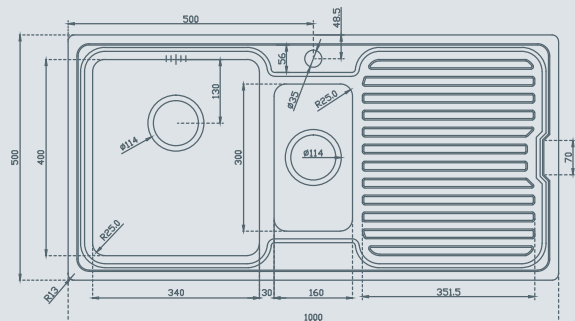


CLYDE

1.5 BOWL

1000mm x 500mm overall
Bowl and half, single drainer
inset sink

Min cabinet size: **600mm**
Bowl depth: **190mm**
Half bowl depth: **120mm**

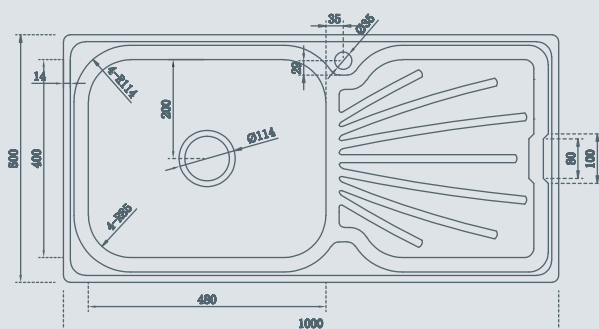


EDEN

1.0 BOWL

1000mm x 500mm overall
Single bowl, single drainer
inset sink

Min cabinet size: **600mm**
Bowl depth: **205mm**

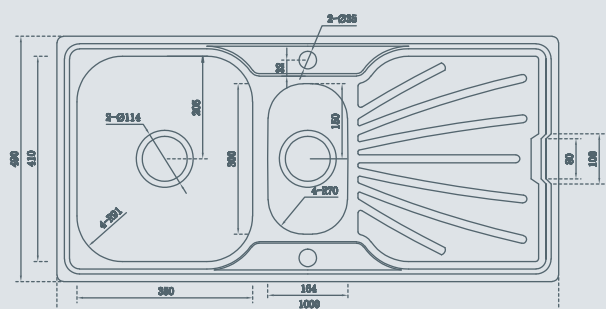


MEDWAY

1.5 BOWL

1000mm x 490mm overall
Bowl and half, single drainer
inset sink

Min cabinet size: **600mm**
Bowl depth: **205mm**
Half bowl depth: **120mm**



SPECIFICATIONS – INSET SINKS

We reserve the right to update specifications without notice. All dimensions are nominal.

YARROW

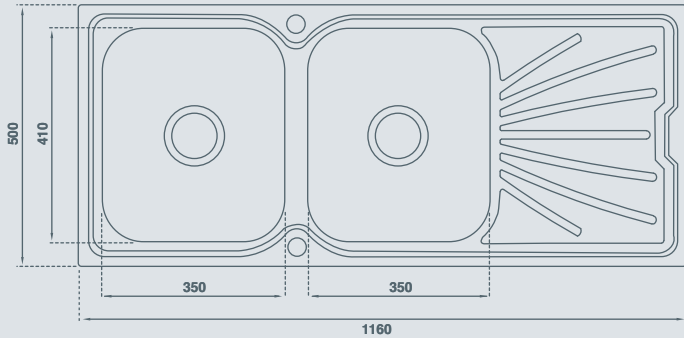
2.0 BOWL

1160mm x 500mm overall

Double bowl, single drainer inset sink

Min cabinet size: **800mm**

Bowl depths: **200mm**



AVON

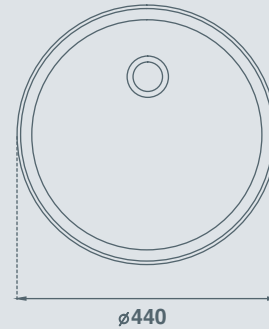
DRAINER

440mm x 50mm overall

Inset round drainer sink

Min cabinet size: **500mm**

Bowl depth: **40mm**



NENE

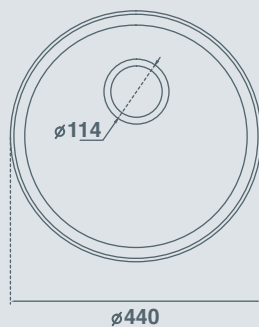
BOWL

440mm x 185mm overall

Deep round single bowl

Min cabinet size: **500mm**

Bowl depths: **185mm**



STOUR

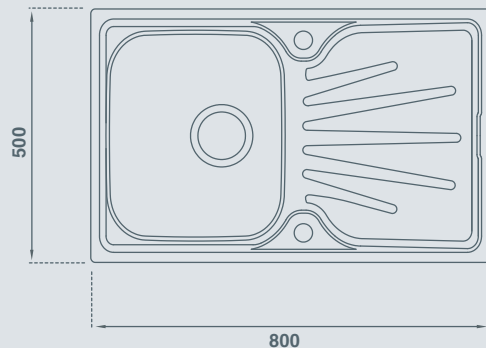
1.0 BOWL

800mm x 500mm overall

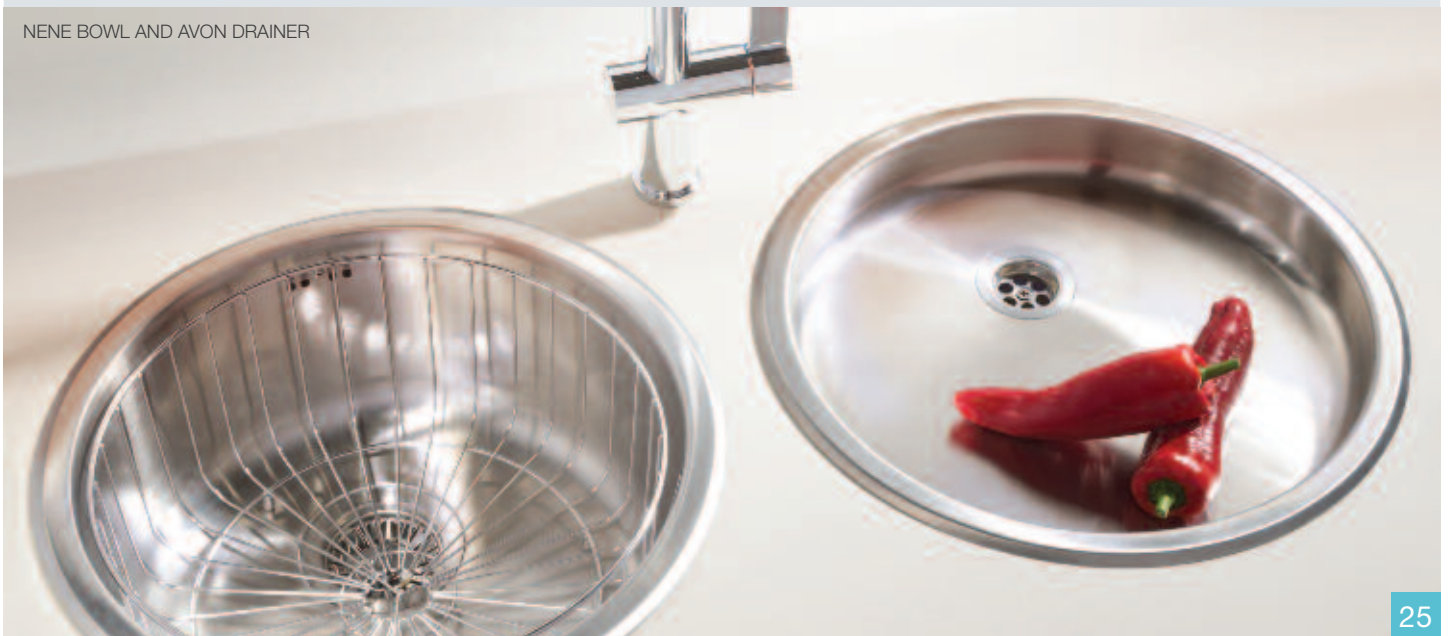
Single bowl, single drainer inset sink

Min cabinet size: **450mm**

Bowl depth: **155mm**



NENE BOWL AND AVON DRAINER



SPECIFICATIONS – INSET SINKS

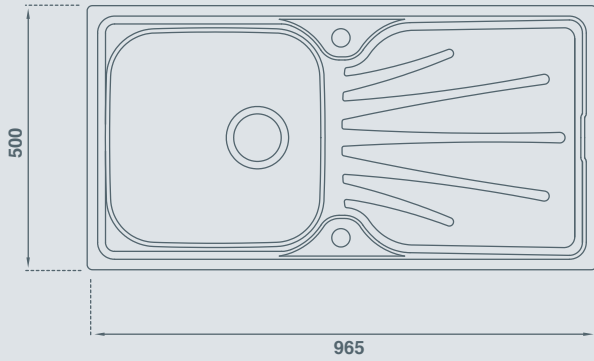
We reserve the right to update specifications without notice. All dimensions are nominal.

HUMBER

1.0 BOWL

965mm x 500mm overall
Single bowl, single drainer
inset sink

Min cabinet size: **500mm**
Bowl depth: **155mm**

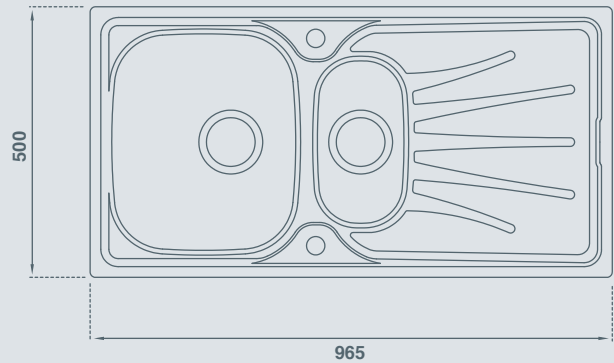


MERSEY

1.5 BOWL

965mm x 500mm overall
Bowl and half, single drainer
inset sink

Min cabinet size: **600mm**
Bowl depth: **155mm**
Half bowl depth: **83mm**

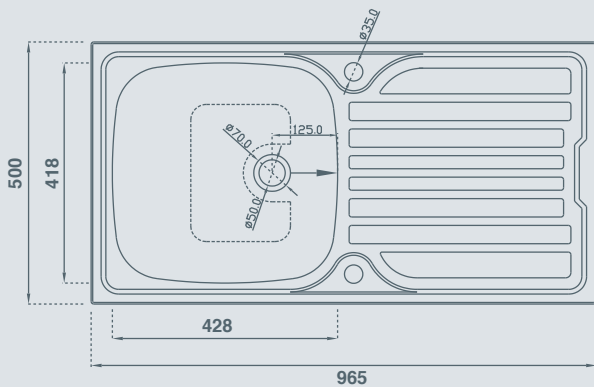


RIBBLE

1.0 BOWL

965mm x 500mm overall
Single bowl, single drainer
inset sink

Min cabinet size: **500mm**
Bowl depth: **160mm**

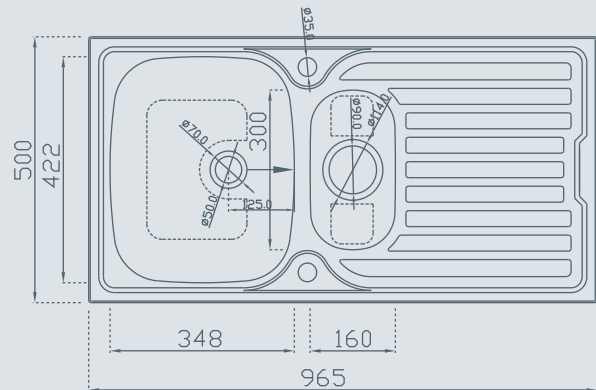


WYE

1.5 BOWL

965mm x 500mm overall
Bowl and half, single drainer
inset sink

Min cabinet size: **600mm**
Bowl depth: **160mm**
Half bowl depth: **100mm**



RIBBLE 1.0 BOWL

SPECIFICATIONS – UNDERMOUNT SINKS

We reserve the right to update specifications without notice. All dimensions are nominal.

ESK

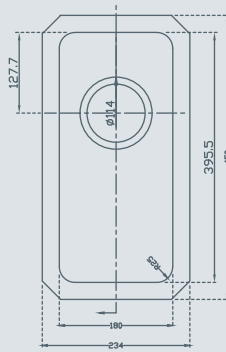
1.0 BOWL

234mm x 450mm overall

Half bowl undermount sink

Min cabinet size: **400mm**

Half bowl depth: **124mm**



WEAVER

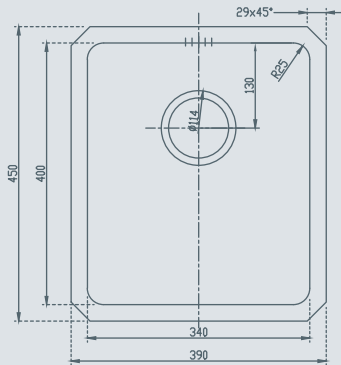
1.0 BOWL

390mm x 450mm overall

Single bowl undermount sink

Min cabinet size: **400mm**

Bowl depth: **190mm**



TWISS

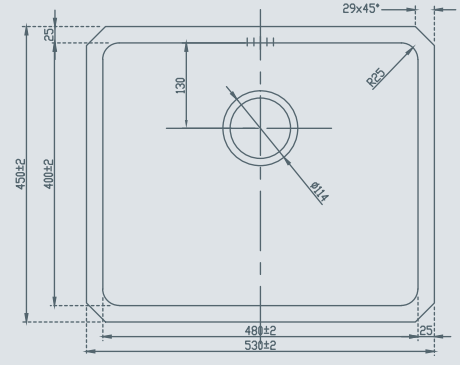
1.0 BOWL

530mm x 450mm overall

Single bowl undermount sink

Min cabinet size: **600mm**

Bowl depth: **200mm**



COLNE

1.5 BOWL

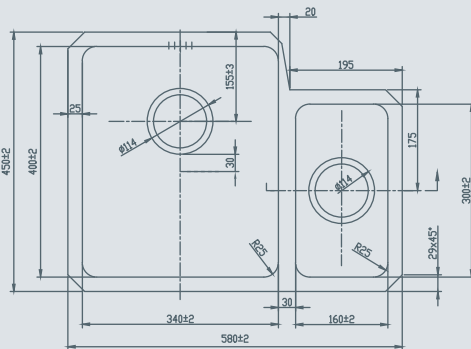
580mm x 450mm overall

Bowl and half undermount sink

Min cabinet size: **600mm**

Bowl depth: **190mm**

Half bowl depth: **120mm**



BRETT

1.5 BOWL

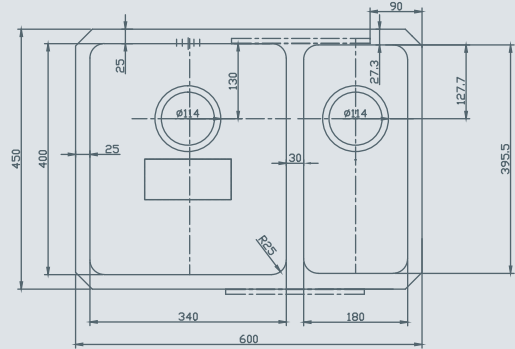
600mm x 450mm overall

Bowl and half undermount sink

Min cabinet size: **600mm**

Bowl depth: **184mm**

Half bowl depth: **124mm**



TRENT

1.5 BOWL

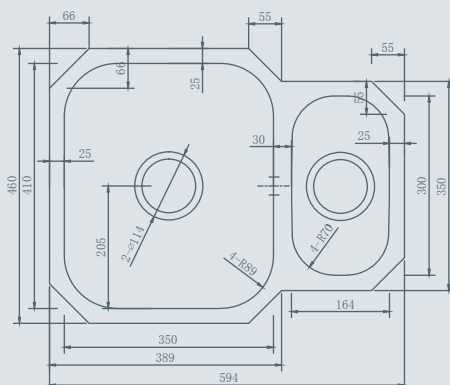
594mm x 460mm overall

Bowl and half undermount sink

Min cabinet size: **600mm**

Bowl depth: **185mm**

Half bowl depth: **114mm**



DERWENT

1.5 BOWL

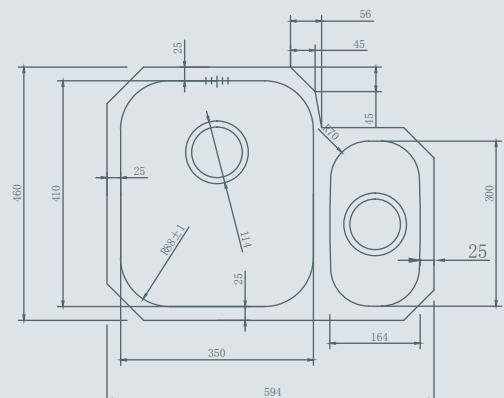
594mm x 460mm overall

Bowl and half undermount sink

Min cabinet size: **600mm**

Bowl depth: **189mm**

Half bowl depth: **114mm**



SPECIFICATIONS – COMPOSITE SINKS

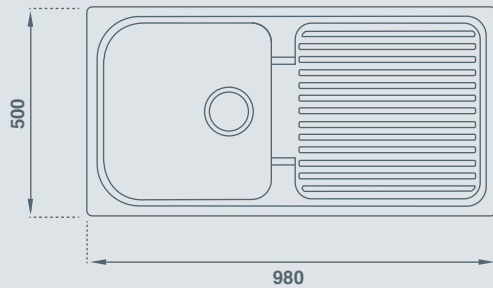
We reserve the right to update specifications without notice. All dimensions are nominal.

TWEED

1.0 BOWL

980mm x 500mm overall
Single bowl, single drainer
granite composite sink

Min cabinet size: **500mm**
Bowl depth: **180mm**

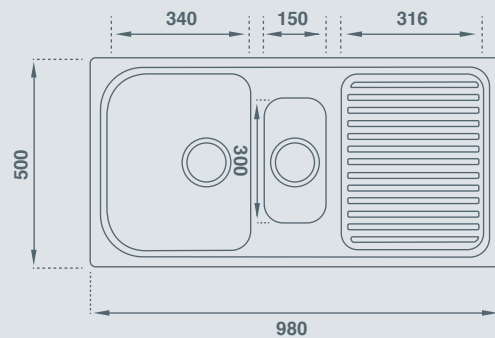


WELLAND

1.5 BOWL

980mm x 500mm overall
Bowl and half, single drainer
granite composite sink

Min cabinet size: **600mm**
Bowl depth: **180mm**
Half bowl depth: **120mm**

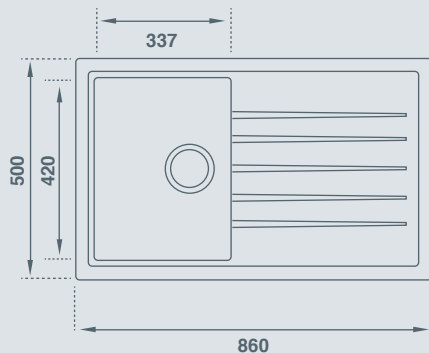


WINSTER

1.0 BOWL

860mm x 500mm overall
Single bowl, single drainer
granite composite sink

Min cabinet size: **400mm**
Bowl depth: **205mm**

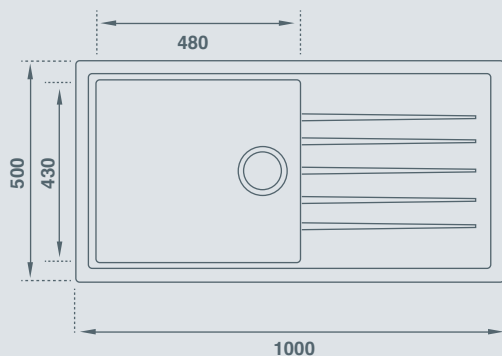


LYMINGTON

1.0 BOWL

1000mm x 500mm overall
Single bowl, single drainer
granite composite sink

Min cabinet size: **600mm**
Bowl depth: **220mm**

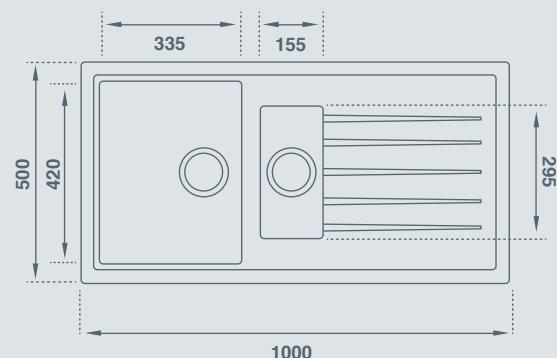


WRAYSBURY

1.5 BOWL

1000mm x 500mm overall
Bowl and half, single drainer
granite composite sink

Min cabinet size: **600mm**
Bowl depth: **205mm**
Half bowl depth: **146mm**



SPECIFICATIONS – CERAMIC SINKS

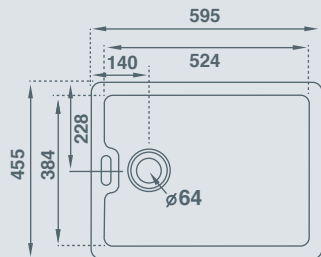
We reserve the right to update specifications without notice. All dimensions are nominal.

LAGAN

1.0 BOWL

595mm x 455mm overall
Single bowl ceramic sink

Min cabinet size: 600mm
Bowl depth: 229mm

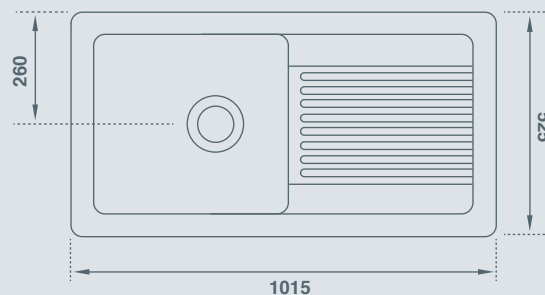


LIFFEY

1.0 BOWL

1015mm x 525mm overall
Single bowl, single drainer
ceramic sink

Min cabinet size: 600mm
Bowl depth: 200mm

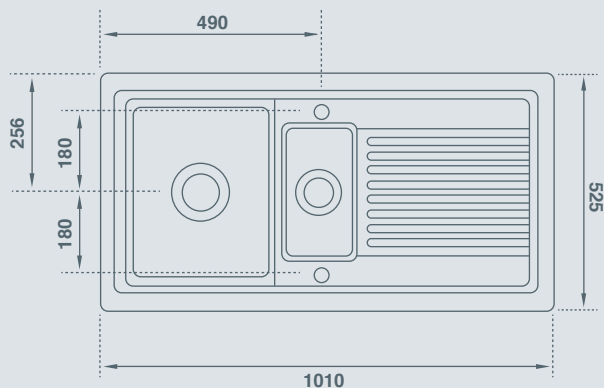


DOVEY

1.5 BOWL

1010mm x 525mm overall
Bowl and half, single drainer
ceramic sink

Min cabinet size: 600mm
Bowl depth: 180mm
Half bowl depth: 150mm



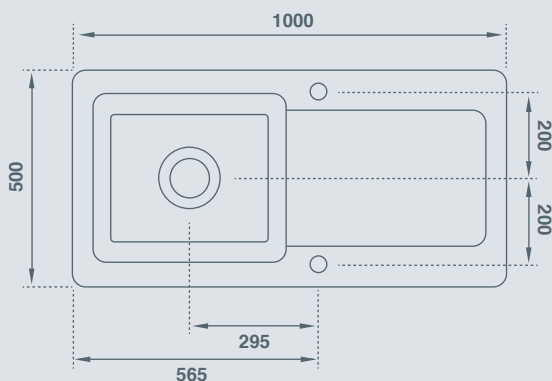
DOVEY 1.5 BOWL

NEWLYN

1.0 BOWL

1000mm x 500mm overall
Single bowl, single drainer
ceramic sink

Min cabinet size: 600mm
Bowl depth: 180mm

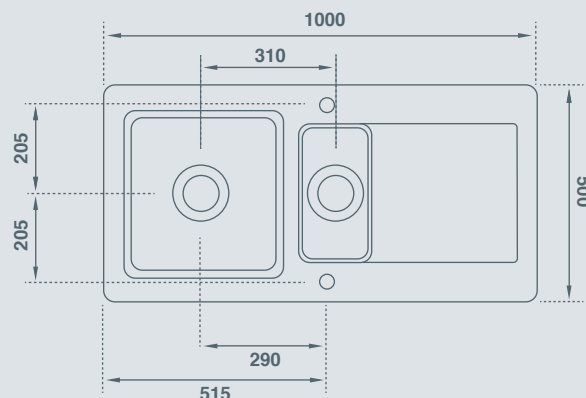


LARIGAN

1.5 BOWL

1000mm x 500mm overall
Bowl and half, single drainer
ceramic sink

Min cabinet size: 600mm
Bowl depth: 180mm
Half bowl depth: 150mm

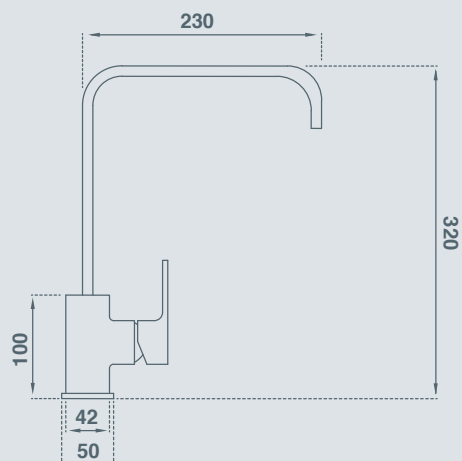


SPECIFICATIONS – MIXER TAPS

We reserve the right to update specifications without notice. All dimensions are nominal.

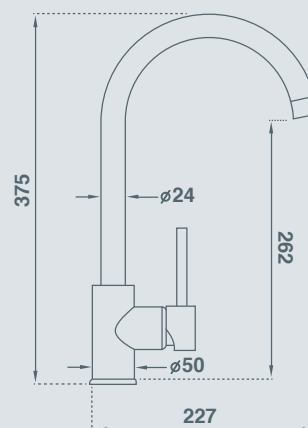
VECHTE

SINGLE LEVER TAP



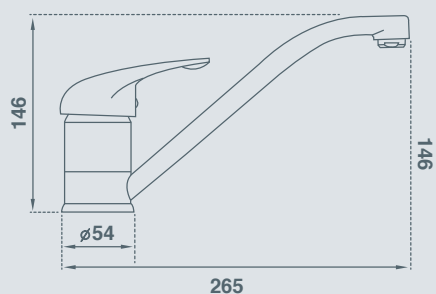
LOIRE

SINGLE LEVER TAP



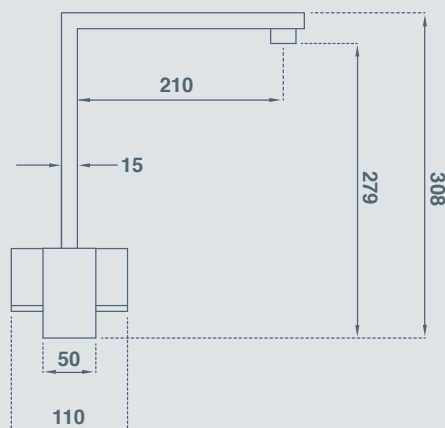
LENA

SINGLE LEVER TAP



HAVEL

TWIN LEVER TAP

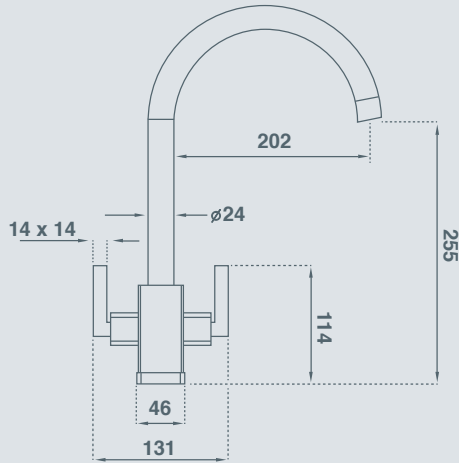


SPECIFICATIONS – MIXER TAPS

We reserve the right to update specifications without notice. All dimensions are nominal.

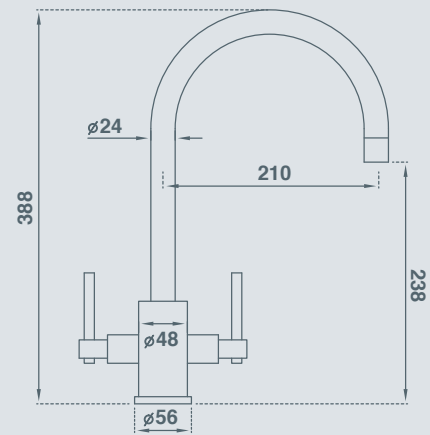
RHONE

TWIN LEVER TAP



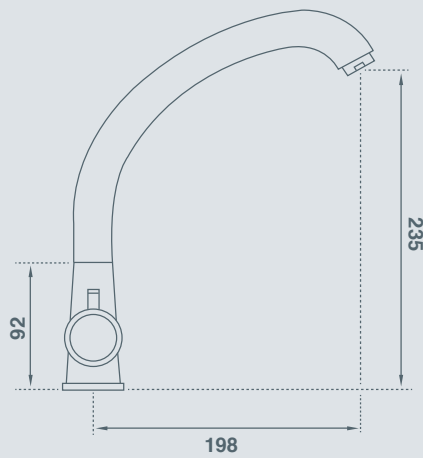
MARONNE

TWIN LEVER TAP



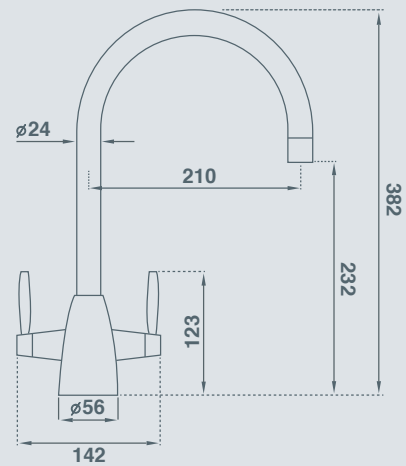
VOLGA

TWIN LEVER TAP



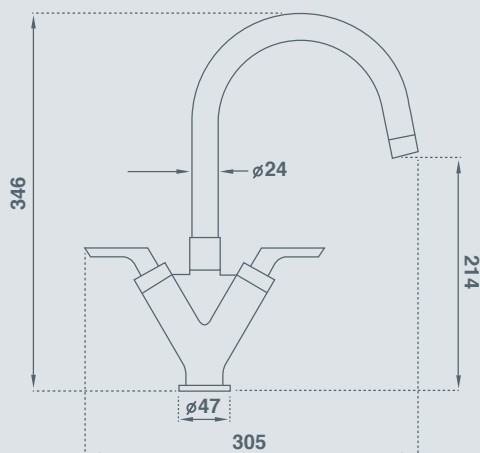
REGA

TWIN LEVER TAP



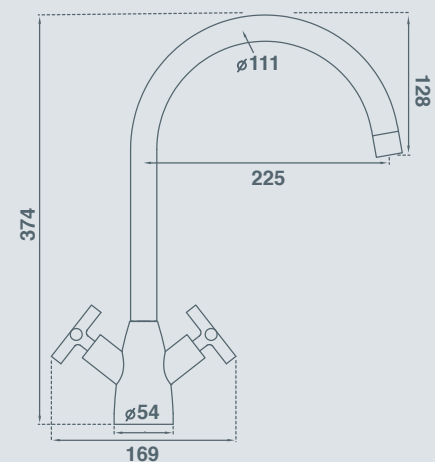
MOSELLE

TWIN LEVER TAP



REGAN

TWIN LEVER TAP



tradePip! Products

100 Hucknall Road Carrington Nottingham NG5 1AB

Telephone: 0800 044 3881 / 07817540688

Email: info@tradepip.co.uk

www.tradepip.co.uk