

# IDP40CC

## Chloramine and Chlorine Water Conditioner

### Bypass Valve (optional)

Brass-free and lead free bypass valve lets you manually bypass the system.

### Patented Electronics Digital Demand Module

Solid-state electronics record usage patterns and control regeneration frequency based on predicted needs. Full menu-driven options.

### Multi-Wrap Fiberglass Reinforced Resin Tank

Polymeric tank liner with a fiberglass wrapped exterior for strength. Doesn't deteriorate, rust, or corrode.

### Catalytic Coconut-Shell Carbon

Filters the water throughout the home without compromising water flow. Reduces chloramines and chlorine taste and odor, extends resin life and eliminates the need for a separate carbon filter and filter changes.

### Full One-Inch Riser

One-inch diameter for increased flow rates, which ensures that household demand is adequately met.

### Positive-Action Brine Valve

Snap-together construction eliminates use of solvents that may contaminate water. Positive action helps prevent overfilling.

### Self-Cleaning Distributors

Distributors exhibit excellent flow rates and are cleaned automatically by counter-current water pressure.

### Fully Ported One-Inch Valve with Easy-Clamp Ring and Patented Disc

### Washed Quartz Underbedding

Washed quartz doesn't impart hardness into softened water and allows for more powerful "piston effect" during counter-current cycles.



# IDP40CC

## SPECIFICATIONS

	IDP40CC*
Efficiency (gr./lb. @ min. lb. salt dose)	4,980 @ 2.4
Hardness Capacity (gr. @ max. lb. salt dose)	40,000 @ 15.5
Water Used During Regeneration @ Minimum Salt Dose	4.1 gal. / 1,000 gr.
Intermittent Flow Rate (gpm @ psi) <sup>1</sup>	15.0 @ 15
Intermittent Flow Rate (gpm @ psi) <sup>1</sup>	21.0 @ 30
Amount of High Capacity Resin	1.13 cu. ft.
Amount of Catalytic Carbon	0.40 cu.ft.
Amount of Gravel	-
Service Flow Rate	4.0 gpm
Pressure Drop at Rated Service Flow Rate	10.0 psig
Water Supply Maximum Hardness	65 gpg
Water Supply Maximum Clear Water Iron <sup>2</sup>	8 ppm
Min. - Max. Water Supply Pressure <sup>3</sup>	20 - 125 psi
Min. - Max. Water Supply Temperature	40 - 120°F
Minimum Water Supply Flow Rate	3 gpm
Max Drain Flow Rate	2.0 gpm

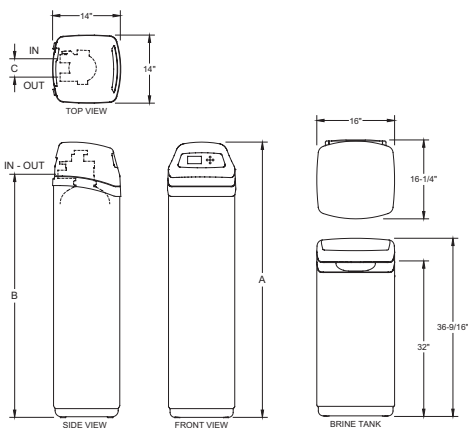
<sup>1</sup> Intermittent flow rate does not represent the maximum service flow rate used for determining the unit's rated capacity and efficiency. Continuous operation at flow rates greater than the service flow rate may affect capacity and efficiency performance.

<sup>2</sup> Capacity to remove clear water iron is substantiated by independent laboratory test data. State of Wisconsin requires additional treatment if water supply contains greater than 5 ppm clear water iron.

<sup>3</sup> Canada working pressure limits: 1.4 - 7.0 kg/cm<sup>2</sup>.

\*Model IDP40CC has not been tested or certified by NSF International or the Water Quality Association.

## DIMENSIONS



	IDP40CC
Nominal Resin Tank Size	10" Diam. x 47"
A	56-3/4"
B	50"
C	3-3/4"



### Warranty:

- For the lifetime of the original owner, the resin tank will not rust, corrode, leak, burst, or in any other manner fail to perform its proper function.
- For a period of ten years after installation, the salt tank will be free of defects in materials and workmanship and will perform its proper function.
- For a period of three years after installation, the valve body, electronic faceplate and all other parts will be free of defects in materials and workmanship and will perform their normal functions.

Manufactured by:  
**Ecodyne Water Systems**  
 1890 Woodlane Drive  
 Woodbury, MN 55125

 **Designed, Engineered & Assembled in the U.S.A.**