

# *Omega 37*



***ALAMARIN-JET***  
GO WITH THE FLOW

# AJ Ω 37



## NEW 2020

The OMEGA series water jet line is the new range of high power, high thrust jets which takes Alamarin-Jets range from 'small' to 'medium' sized water jets. The AJ O37 is the 2nd model to be released, with a max input power of 1200HP and unique features such as the Dual Angle Shaft (DAS), Frame Integrated Bearing Structure (FIBS) and Modular Intake Geometry (MIG), the new jet range epitomises Alamarin-Jets dedication to user-focused, highly efficient and innovative design.

The Omega series pump design is based on the same foundations of Alamarin-Jets AJ 245, AJ 285 and AJ 340 pumps which have been proven to massively outperform the competitive products in their size range and above. The Omega Series promises high speed efficiency (55+ knots) while maintaining extremely high bollard pull and cavitation margins.

**DAS:**  
0-deg & 4-deg  
shaft options

**Integrated  
SIGMA  
controls**

**FIBS:**  
Frame  
Integrated  
Bearing  
Structure

**MIG:**  
Modular Intake  
Geometry

### SCHEME



**PUMP TYPE**  
MIXED FLOW,  
SINGLE STAGE



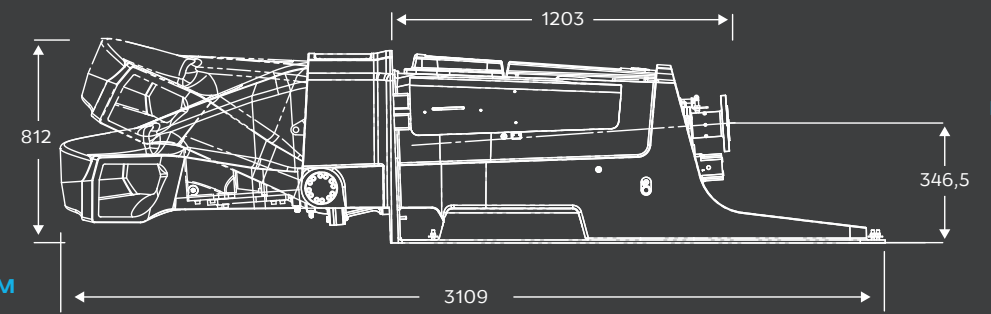
**IMPELLER SHAFT RPM**  
MAX. 2550 1/MIN



**MAX. VESSEL  
DISPLACEMENT**  
15 000KG  
PER JET PLANNING  
VESSEL



**JET WEIGHT**  
725 KG



**IMPELLER DIAMETER**  
MAX. 430MM



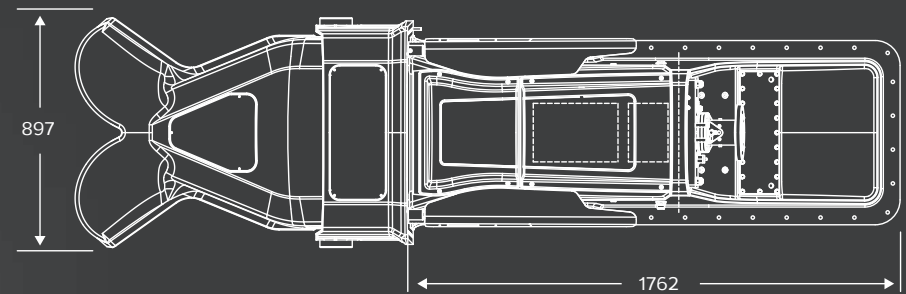
**MAX INPUT POWER**  
880 KW



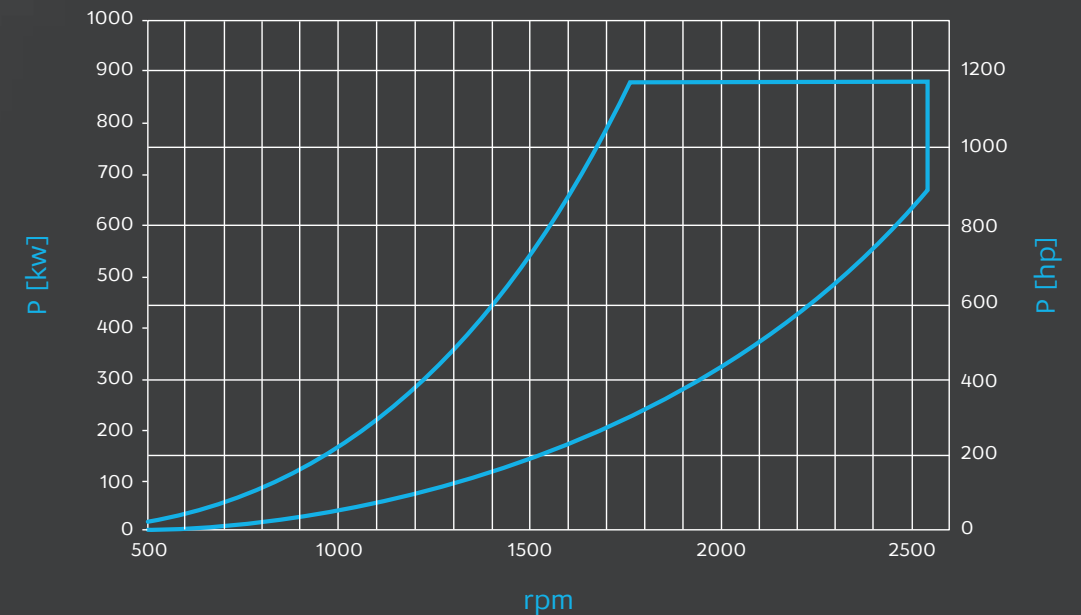
**JET CONSTRUCTION**  
ALUMINIUM,  
STAINLESS STEEL



**REVERSE DEFLECTOR  
CONTROL**  
HYDRAULIC/SIGMA CONTROLS



### AJ OMEGA 37 POWER/RPM COVERAGE





Alamarin-Jet Oy Tuomisentie 16, FI-62300 Härmä, Finland

[www.alamarinjet.com](http://www.alamarinjet.com)